

6 5 4 3 2 1

APPROVED: \_\_\_\_\_  
 DATE: \_\_\_\_\_ TITLE: \_\_\_\_\_

Rev	AWO #	Description	Date	Appr
-		RELEASED	8/2/17	

RECOMMENDED PCB LAYOUT

SPECIFICATIONS:

Material:  
 Insulator: Thermoplastic, rated UL 94V-0, Color: Black  
 Contacts: Phosphor Bronze  
 Shield: Brass, Nickel plated  
 Plating:  
 Round contact  
 Gold over Nickel underplate overall  
 Flat contact  
 Gold over Nickel underplate on contact area,  
 Tin over Nickel underplate on solder tails  
 Electrical:  
 Voltage rating: 150 VAC max  
 Contact Resistance: 20 mohms max  
 Insulation resistance: 500 Mohms min  
 Dielectric withstanding voltage: 2250 VDC for 1 minute  
 Temperature Rating:  
 Operating temperature: 0°C to +70°C  
 Agency Certifications:  
 UL Recognized   
 Environmental:  
 Lead free, RoHS compliant.

UNLESS OTHERWISE SPECIFIED  
 ALL DIMENSIONS ARE INCHES [MM]  
 TOLERANCES: EXCEPT AS NOTED  
 INCHES HOLES

.X ± .10	Ø.X ± .10
.XX ± .020	Ø.XX ± .015
.XXX ± .015	Ø.XXX ± .010

**ADAM TECH**

909 Rahway Avenue, Union, NJ 07083  
 Phone: 908-687-5000 Fax: 908-687-5710

TITLE  
 MODULAR JACK GANGED, 4 PORT, 8P8C,  
 PANEL GROUND, 10G BASE-T

APPROVALS		DATE
DRAWN	HR	8/2/17
CHECKED	DH	8/2/17
APPROVED		

SIZE	PART NO.	REV.
X	MTJG-2-88CAX1-FS5-PG-M328C	-
REF: S00005C	SCALE: NTS	SHEET 1 OF 2

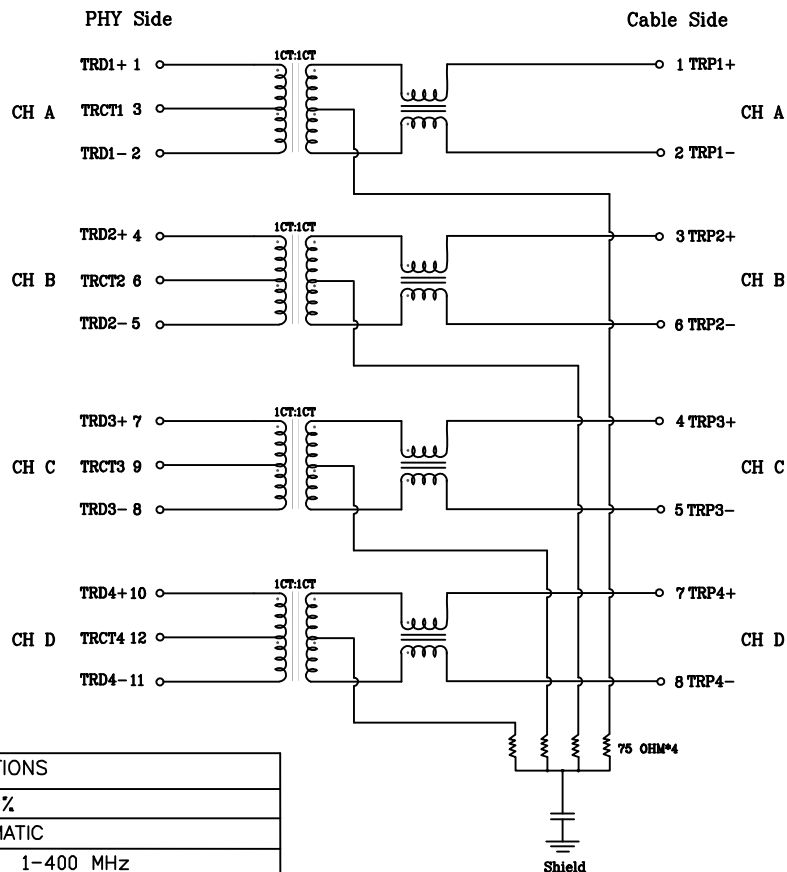
6 5 4 3 2 1

APPROVED: \_\_\_\_\_

DATE: \_\_\_\_\_ TITLE: \_\_\_\_\_

Rev	AWO #	Description	Date	Appr
-----	-------	-------------	------	------

SEE SHT 1 OF 2 FOR REVISION



PARAMETER	SPECIFICATIONS		
URNS RATIO	1.00 ± 2%		
POLARITY	PER SCHEMATIC		
INSERTION LOSS (DATA CHANNELS)	100 KHz	1-400 MHz	
	-3.0 dB MAX	-2.0 dB MAX (-1.4dB TYP)	
RETURN LOSS (Z OUT=100 OHM ±1%)	1-40 MHz	40 MHz-400 MHz	400 MHz-500 MHz
	-16 dB MIN	-16+10LOG(f/40)dB	-6+30LOG(f/400)dB
	INDUCTANCE (OCL)		
CROSSTALK, ADJACENT CHANNELS	1-100 MHz	100-500 MHz	
	-28 dB MIN	-19 dB MIN	
COMMON MODE REJECTION RATIO	1-40 MHz	40-100 MHz	100-500 MHz
	-30 dB MIN	-28 dB MIN	-26 dB MIN
COMMON TO DIFFERENTIAL MODE REJECTION (CDMR)	1-250 MHz	250-500 MHz	
	-30 dB MIN	-22 dB MIN	
HIPOT-OUTPUT ISOLATION	2250 VDC MIN @ 60 SECONDS		

NOTE: f IS FREQUENCY IN MHZ.

UNLESS OTHERWISE SPECIFIED  
ALL DIMENSIONS ARE INCHES [MM]  
TOLERANCES: EXCEPT AS NOTED  
INCHES HOLES

.X ± .10	∅X ± .10
.XX ± .020	∅XX ± .015
.XXX ± .015	∅XXX ± .010

# ADAM TECH

909 Rahway Avenue, Union, NJ 07083  
Phone: 908-687-5000 Fax: 908-687-5710

## TITLE

MODULAR JACK GANGED, 4 PORT, 8P8C,  
PANEL GROUND, 10G BASE-T

APPROVALS		DATE
DRAWN	HR	8/2/17
CHECKED	DH	8/2/17
APPROVED		

SIZE	PART NO.	REV.
X	MTJG-2-88CAX1-FS5-PG-M328C	-
REF: S00005C	SCALE: NTS	SHEET 2 OF 2