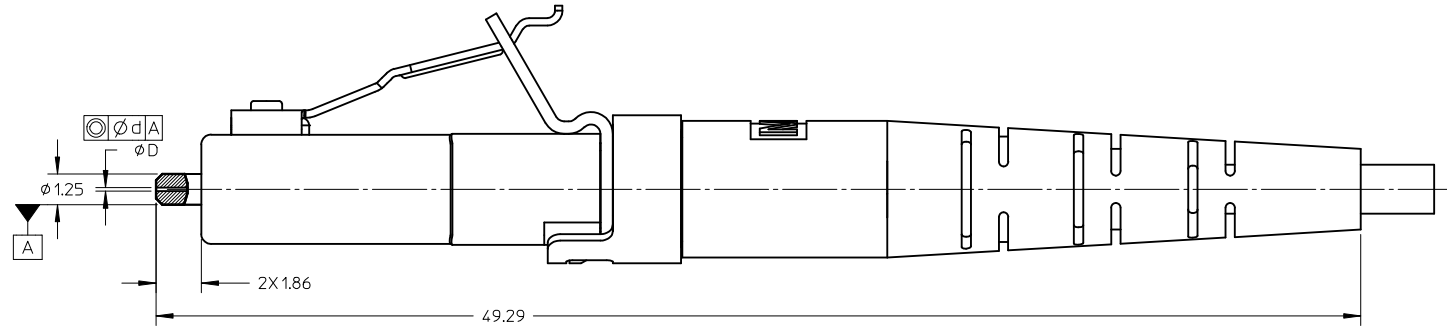
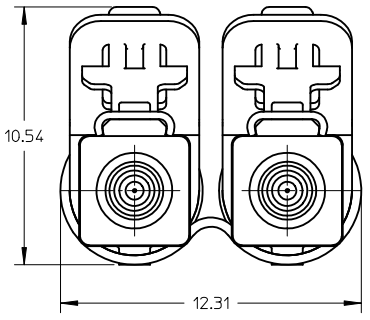
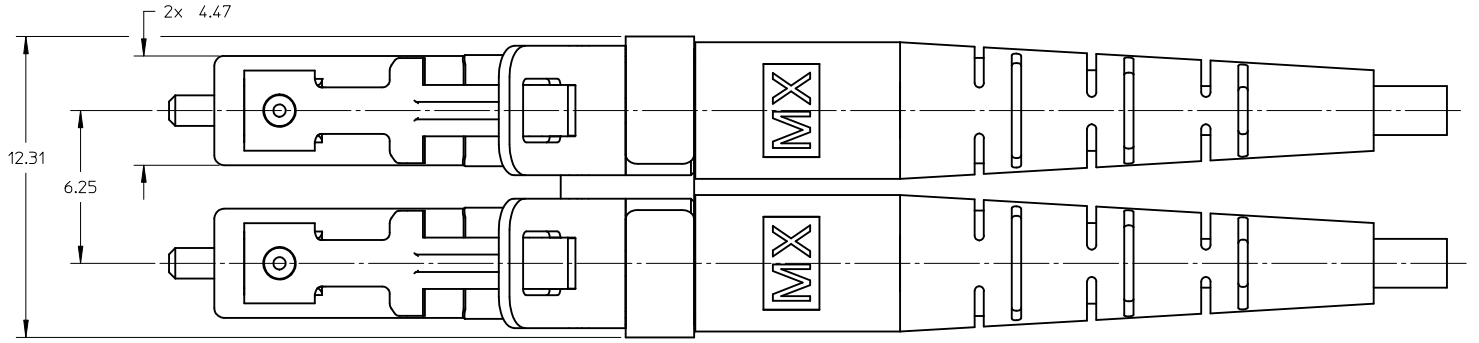
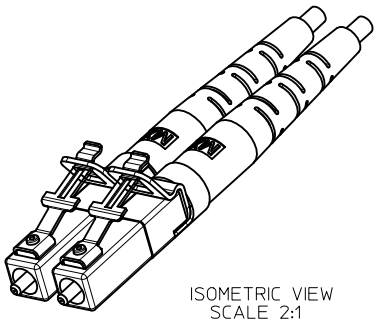


CONNECTOR P/N	∅D (µm)	∅d (µm)	BOOT COLOR	CABLE TYPE	CABLE DESCRIPTION AND ∅ (mm)
106397-2227	125.5 ^{+1.0} / ₀	0.5	YELLOW	SM	SIMPLEX 1.6
106397-3000			BLUE		SIMPLEX 2.0
106397-2229	126.0 ^{+3.0} / ₀	1.0	YELLOW		SIMPLEX 1.6
106397-1604			BLUE		SIMPLEX 2.0
106397-2427	127.0 ^{+3.0} / ₀	3.0	WHITE	MM	SIMPLEX 1.6
106397-3010					SIMPLEX 2.0



- NOTES:
1. ALL DIMENSIONS ARE FOR REFERENCE ONLY.
 2. DUST CAPS ARE NOT SHOWN.

ENTER DESCRIPTION EC NO: MF2010-0477 DRW:KPEVZNER 2010/05/24 CHKD:WCHEN 2009/05/08 APPR:WCHEN 2010/05/27 REV B1	QUALITY SYMBOLS ▽=0 ▽7=0	GENERAL TOLERANCES (UNLESS SPECIFIED) <table border="1"> <thead> <tr> <th></th> <th>mm</th> <th>INCH</th> </tr> </thead> <tbody> <tr> <td>4 PLACES</td> <td>± ---</td> <td>± ---</td> </tr> <tr> <td>3 PLACES</td> <td>± ---</td> <td>± ---</td> </tr> <tr> <td>2 PLACES</td> <td>± ---</td> <td>± ---</td> </tr> <tr> <td>1 PLACE</td> <td>± ---</td> <td>± ---</td> </tr> </tbody> </table> ANGULAR ±1/2°		mm	INCH	4 PLACES	± ---	± ---	3 PLACES	± ---	± ---	2 PLACES	± ---	± ---	1 PLACE	± ---	± ---	DIMENSION STYLE MM ONLY DRAWN BY JSZEWCZYK DATE 2009/04/27 CHECKED BY WCHEN DATE 2009/05/08 APPROVED BY BANDREI DATE 2009/05/08 MATERIAL NO. SEE TABLE	SCALE 5:1 DESIGN UNITS METRIC THIRD ANGLE PROJECTION	TITLE LC2 PLUS DUPLEX CONNECTOR WITH 1.6MM & 2.0MM BOOT MOLEX INCORPORATED DOCUMENT NO. SD-106397-3000 SHEET NO. 1 OF 1
		mm	INCH																	
	4 PLACES	± ---	± ---																	
	3 PLACES	± ---	± ---																	
2 PLACES	± ---	± ---																		
1 PLACE	± ---	± ---																		
DRAFT WHERE APPLICABLE MUST REMAIN WITHIN DIMENSIONS		THIS DRAWING CONTAINS INFORMATION THAT IS PROPRIETARY TO MOLEX INCORPORATED AND SHOULD NOT BE USED WITHOUT WRITTEN PERMISSION																		