

### Device Features

- OIP3 = 32.0 dBm @ 1900 MHz
- Gain = 21.5 dB @ 1900 MHz
- Output P1 dB = 19.0dBm @ 1900 MHz
- 50 Ω Cascadable
- Patented temperature compensation
- RoHS2-compliant SOT-89 SMT package



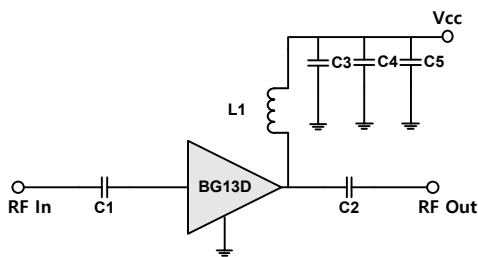
### Product Description

BeRex's BG13D is a high performance InGaP/ GaAs HBT MMIC amplifier, internally matched to 50 Ohms and uses a patented **temperature compensation** circuit to provide stable current over the operating temperature range without the need for external components. The BG13D is designed for high linearity gain block applications that require excellent high gain amplification . It is packaged in a RoHS2-compliant with SOT-89 surface mount package.

### Applications

- Base station Infrastructure/RFID
- Commercial/Industrial/Military wireless system

### Applications Circuit



BOM@MHz	50 ~ 500	500 ~ 3000	3000 ~ 6000
C1	2.7nF	100pF	10pF
C2	56pF	100pF	10pF
C3	100pF	100pF	100pF
C4	1nF	1nF	1nF
C5	10uF	10uF	10uF
L1	220nH	39nH	6.8nH

### Electrical Specifications

Device performance \_ measured on a BeRex evaluation board at 25°C, Vc=5V, 50 Ω system.

Parameter	Conditions	Min	Typ	Max	Unit
Operational Frequency Range		5		6000	MHz
Test Frequency			1900		MHz
Gain		20.0	21.5		dB
Input Return Loss			-12.0		dB
Output Return Loss			-8.8		dB
Output IP3	7 dBm / tone , Δf=1 MHz	29.0	32.0		dBm
Output P1dB		18.0	19.0		dBm
Noise Figure			4.2		dB

### Recommended Operating Conditions

Parameter	Min	Typ	Max	Unit
Bandwidth	5		6000	MHz
I <sub>c</sub> @ (V <sub>c</sub> = 5V)	52	65	78	mA
V <sub>c</sub>	4.5	5	5.25	V
dG/dT		-0.007		dB/°C
R <sub>TH</sub>		85.0		°C/W
Operating Case Temperature	-40		+85	°C

Electrical specifications are measured at specified test conditions.

Specifications are not guaranteed over all recommended operating conditions.

### Absolute Maximum Ratings

Parameter	Rating	Unit
Storage Temperature	-55 to +155	°C
Junction Temperature	+180	°C
Supply Voltage	+5.5	V
Supply Current	150	mA
Input RF Power	23	dBm

Operation of this device above any of these parameters may result in permanent damage.

Typical Performance (Vc = 5V, Ic = 65mA, T = 25°C)

Freq	MHz	70	500	900	1900	2140	2450	3500	5800
S21	dB	26.0	25.4	24.5	21.5	20.7	20.0	17.9	14.0
S11	dB	-20.9	-13.0	-15.0	-12.0	-12.0	-10.0	-12.9	-7.4
S22	dB	-18.8	-8.4	-10.1	-8.8	-8.5	-8.0	-12.6	-11.1
P1	dBm	18.1	19.0	19.0	19.0	19.0	19.0	17.7	15.4
OIP3	dBm	32.5	32.0	32.0	32.0	31.5	31.0	29.9	26.5
NF	dB	4.0	4.0	4.0	4.2	4.3	4.5	4.8	7.5

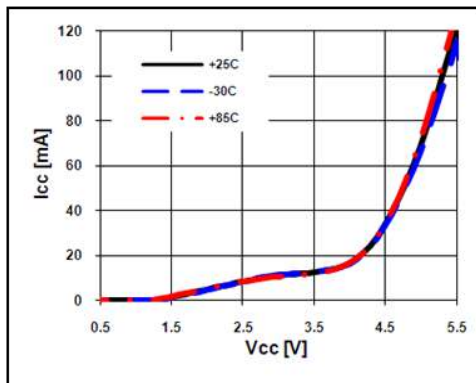
Typical Performance (Vc = 4.7V, Ic = 44mA, T = 25°C)

Freq	MHz	70	500	900	1900	2140	2450	3500
S21	dB	25.2	24.0	23.6	21.2	20.5	19.8	17.9
S11	dB	-17.0	-9.5	-10.4	-10.3	-10.0	-10.1	-8.6
S22	dB	-16.2	-5.5	-6.2	-7.5	-7.4	-7.9	-9.2
P1	dBm	16.5	15.2	15.2	16.1	13.5	16.1	15.4
OIP3	dBm	27.5	26.0	26.5	27.5	26.5	27.5	26.5
NF	dB	4.0	4.0	4.0	4.2	4.3	4.5	4.8

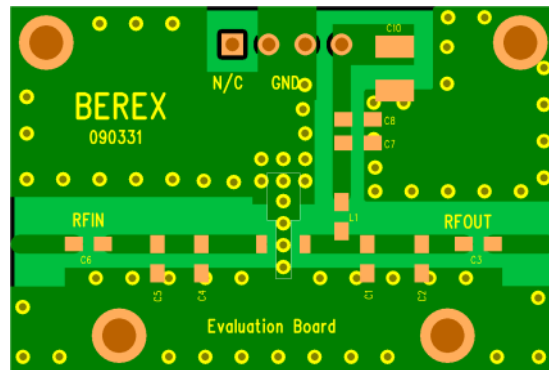
Typical Performance (Vc = 4.5V, Ic = 34mA, T = 25°C)

Freq	MHz	70	500	900	1900	2140	2450	3500
S21	dB	24.3	23.1	23.1	20.6	20.5	19.3	17.7
S11	dB	-14.2	-8.6	-9.4	-9.5	-9.3	-9.4	-8.1
S22	dB	-13.7	-5.0	-5.5	-6.7	-6.6	-7.2	-8.5
P1	dBm	15.5	14.1	14.1	13.8	13.8	15.2	15.4
OIP3	dBm	25.0	23.0	23.0	23.5	23.0	23.5	22.5
NF	dB	4.0	4.0	4.0	4.2	4.3	4.5	4.8

### V-I Characteristics



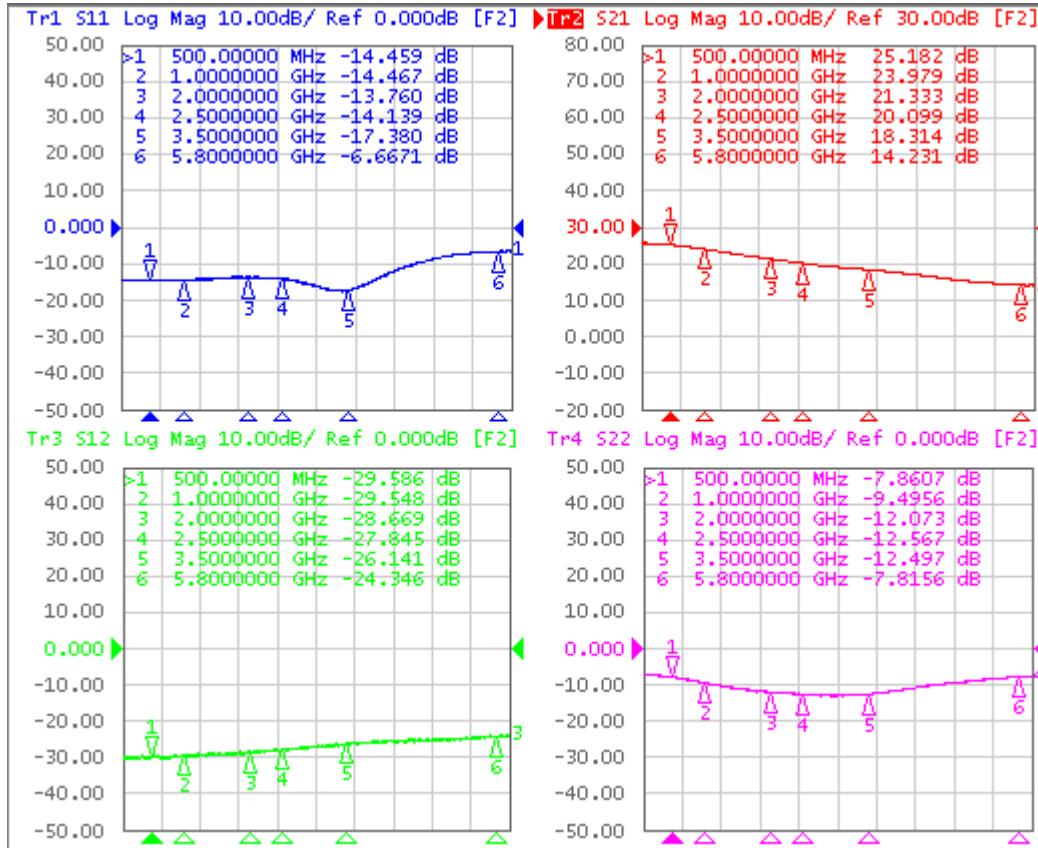
### BeRex SOT89 Evaluation Board



\*Dielectric constant \_ 4.2 \*RF pattern width 52mil \*31mil thick FR4 PCB

### Typical Device Data

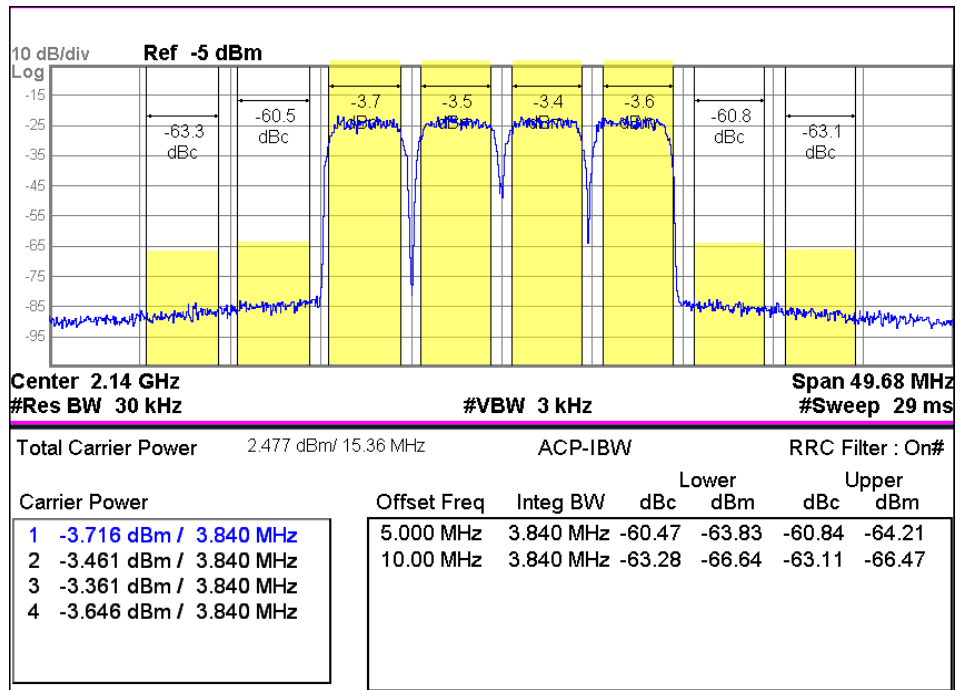
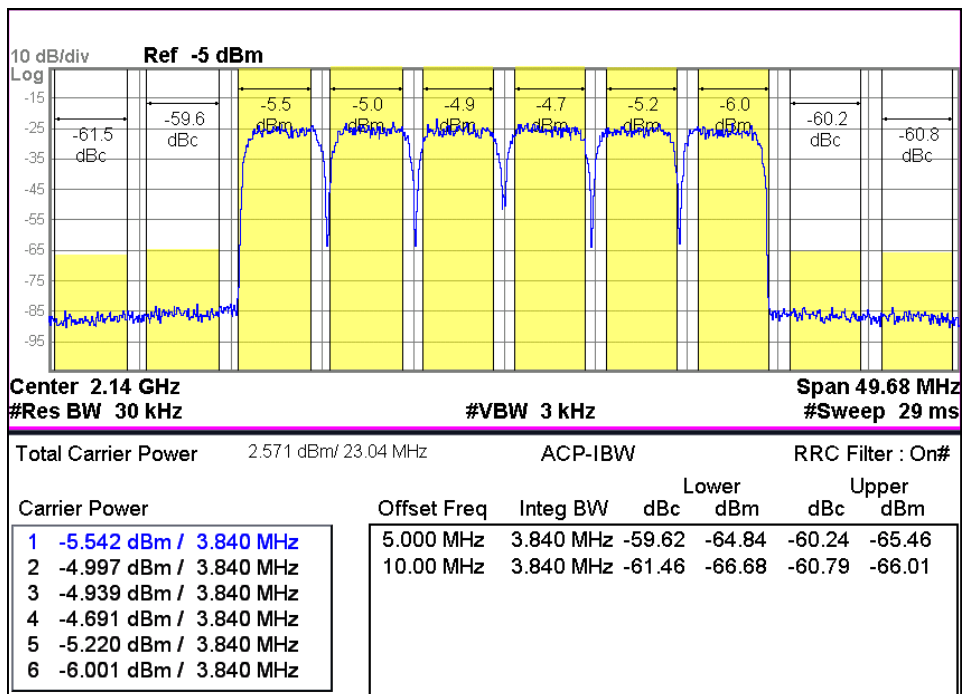
S-parameters (Vc=5V, Ic=65mA, T=25°C)

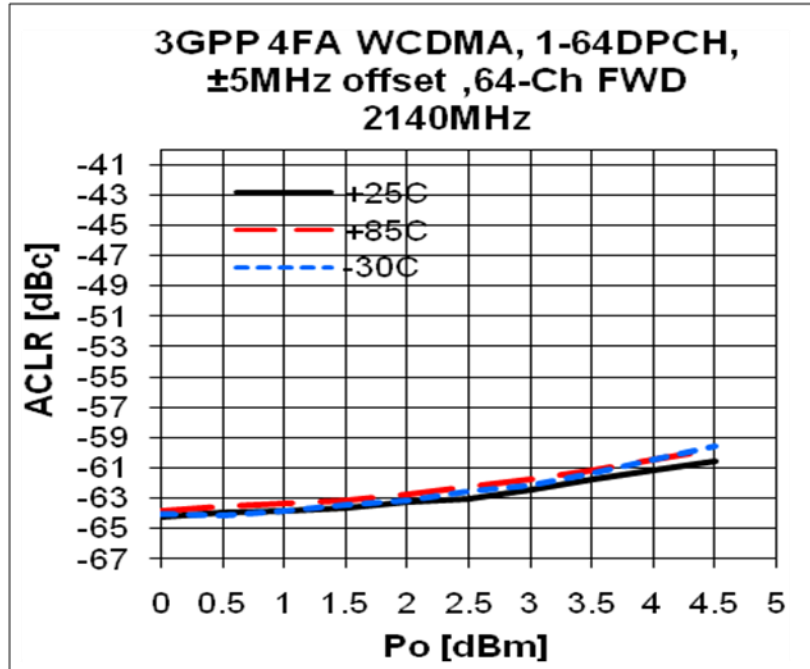


### S-Parameter

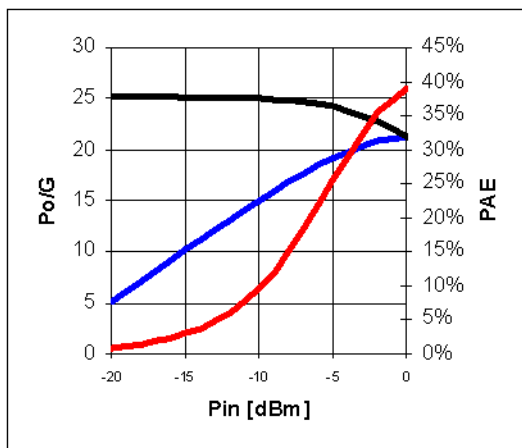
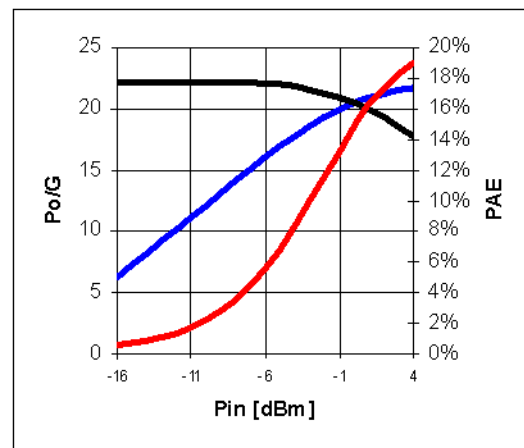
(Vdevice = 5.0V, Icc = 65mA, T = 25 °C, calibrated to device leads)

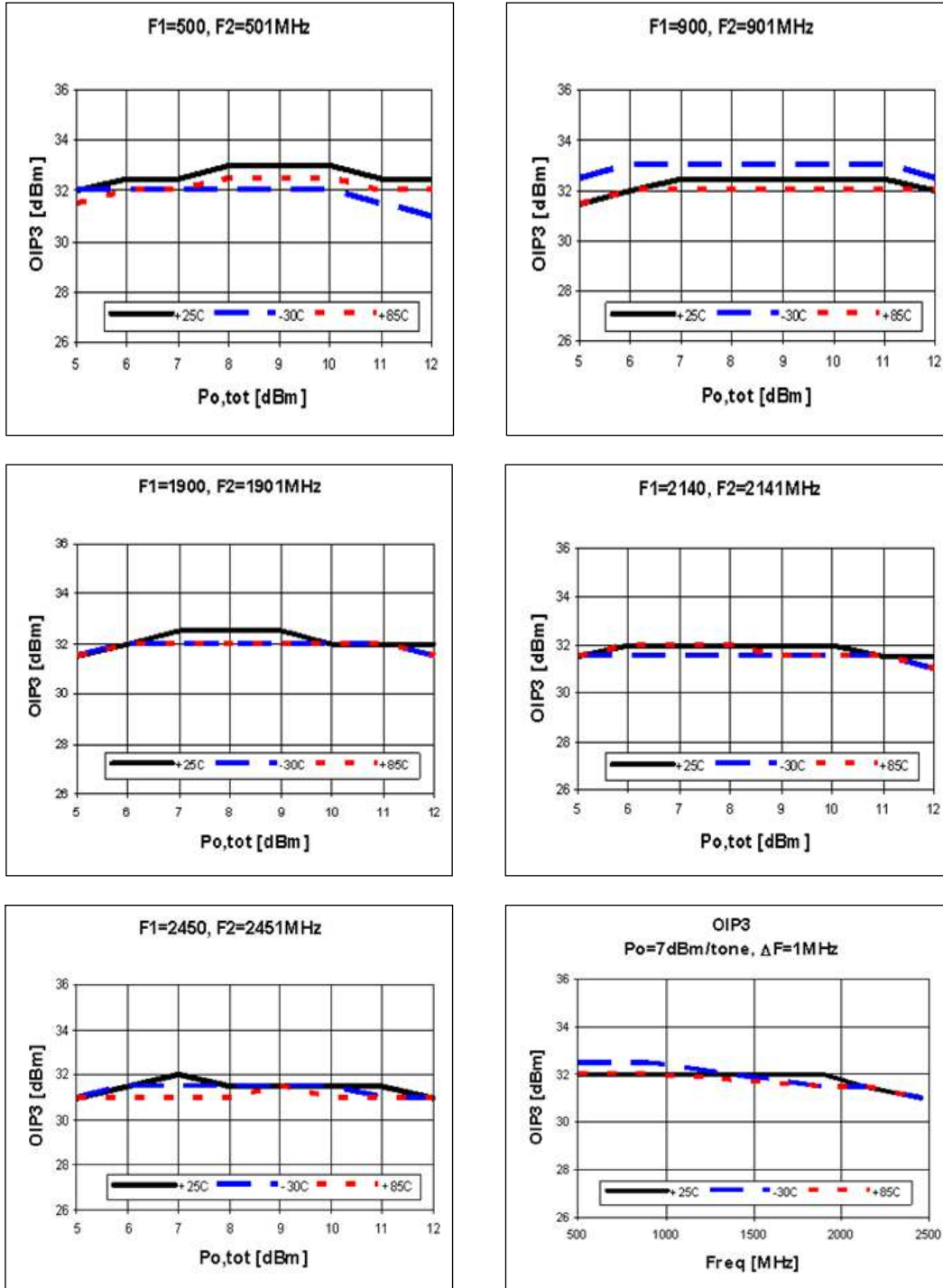
Freq [MHz]	S11 [Mag]	S11 [Ang]	S21 [Mag]	S21 [Ang]	S12 [Mag]	S12 [Ang]	S22 [Mag]	S22 [Ang]
100	0.19	-0.46	19.04	173.85	0.03	-0.08	0.43	-4.74
500	0.19	-6.54	18.12	149.88	0.03	4.59	0.40	-24.19
1000	0.19	-20.36	15.80	123.38	0.03	6.88	0.34	-48.91
1500	0.19	-41.11	13.45	100.96	0.04	12.80	0.28	-71.76
2000	0.21	-60.32	11.64	81.48	0.04	11.92	0.25	-91.33
2500	0.20	-77.29	10.11	63.62	0.04	10.09	0.24	-111.84
3000	0.16	-101.04	8.96	47.76	0.04	9.95	0.23	-133.60
3500	0.14	-146.26	8.22	31.52	0.05	6.69	0.24	-158.27
4000	0.21	174.11	7.40	15.16	0.05	1.75	0.27	-178.94
6000	0.47	145.01	5.01	-41.90	0.06	-19.25	0.42	171.14

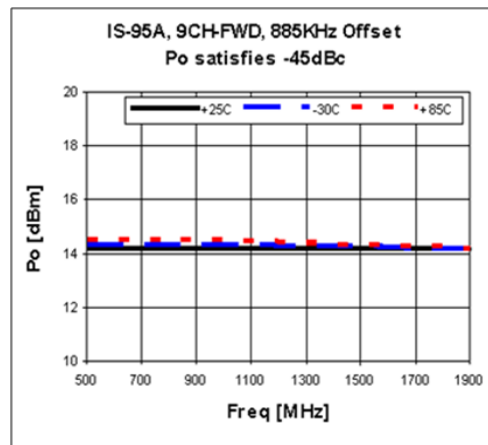
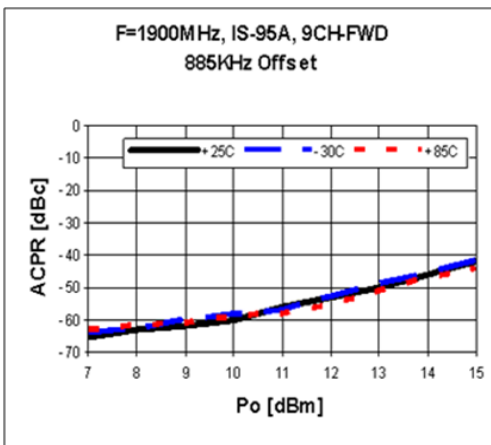
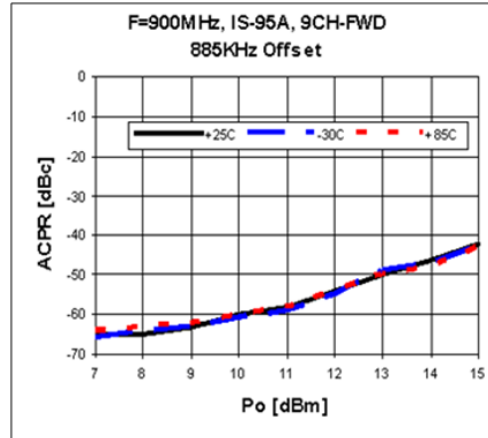
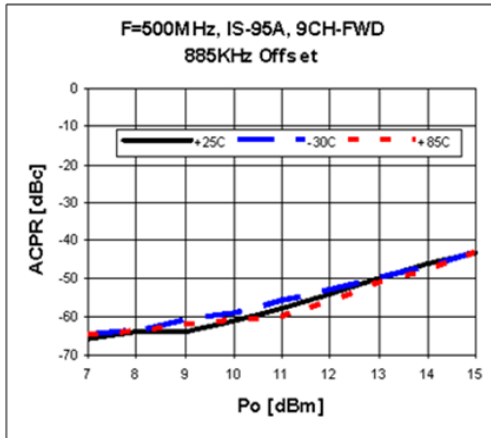
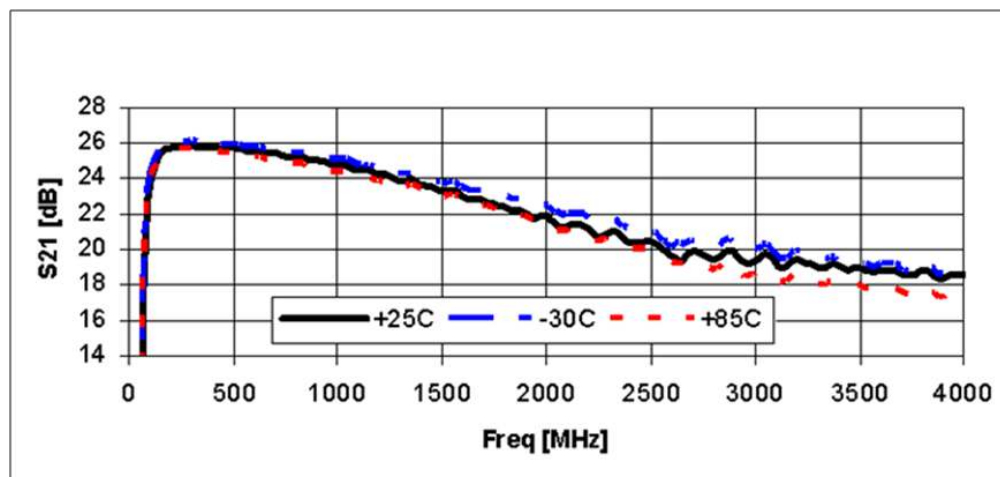
**WCDMA 4FA 2140 -60dBc**

**WCDMA 6FA 2140 -60dBc**


**ACLR**

**Device Performance**

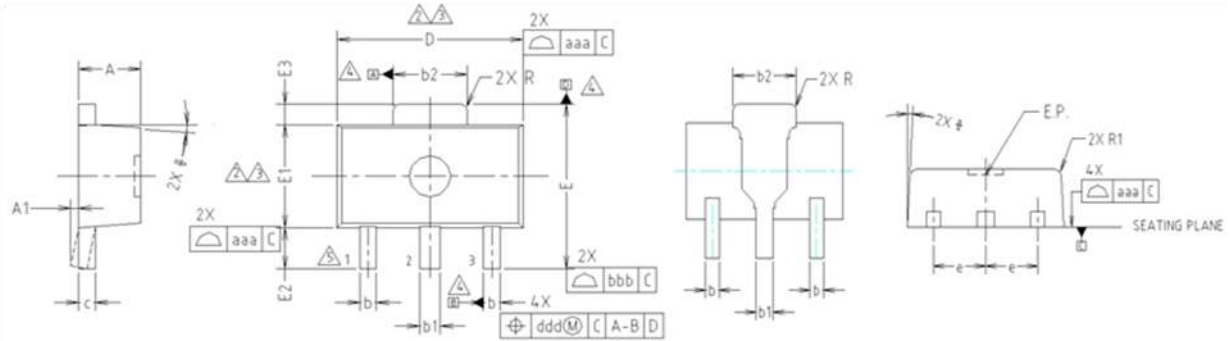
## Pin-Pout-Gain


**900MHz, 5V/65mA**

**1900 MHz, 5V/65mA**

**OIP3**


**ACPR**

**Gain Flatness**


### Package Outline Dimension

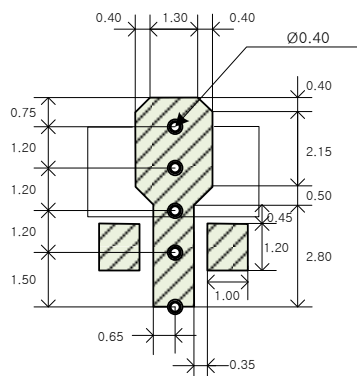


- NOTE:**  
 1. DIMENSIONS IN MILLIMETERS.
- ⚠ DIMENSION D DOES NOT INCLUDE MOLD FLASH, PROTRUSIONS OR GATE BURRS. MOLD FLASH, PROTRUSIONS OR GATE BURRS SHALL NOT EXCEED 0.5mm PER END. DIMENSION E1 DOES NOT INCLUDE INTERLEAD FLASH OR PROTRUSION. INTERLEAD FLASH OR PROTRUSION SHALL NOT EXCEED 0.5mm PER SIDE.
  - ⚠ DIMENSIONS D AND E1 ARE DETERMINED AT THE OUTMOST EXTREMES OF THE PLASTIC BODY EXCLUSIVE OF MOLD FLASH, TIE BAR BURRS, GATE BURRS AND INTERLEAD FLASH, BUT INCLUDING ANY MISMATCH BETWEEN THE TOP AND BOTTOM OF THE PLASTIC BODY.
  - ⚠ DATUMS A, B AND D TO BE DETERMINED 0.18mm FROM THE LEAD TIP.
  - ⚠ TERMINAL NUMBERS ARE SHOWN FOR REFERENCE ONLY.

SYMBOL	MILLIMETERS			NOTE
	MINIMUM	NOMINAL	MAXIMUM	
A	1.40	1.50	1.60	
A1	0.00	—	0.10	
b	0.38	0.42	0.48	
b1	0.48	0.52	0.58	
b2	1.79	1.82	1.87	
c	0.40	0.42	0.46	
D	4.40	4.50	4.70	2,3
E	3.70	4.00	4.30	
E1	2.40	2.50	2.70	2,3
E2	0.80	1.00	1.20	
E3	0.40	0.50	0.60	
e	1.50 TYP.			
φ	4° TYP.			
R	0.15 TYP.			
R1	—			0.20
SYMBOL	TOLERANCES OF FORM AND POSITION		NOTE	
aaa	0.15			
bbb	0.20			
ccc	0.10			
ddd	0.10			

### Suggested PCB Land Pattern and PAD Layout

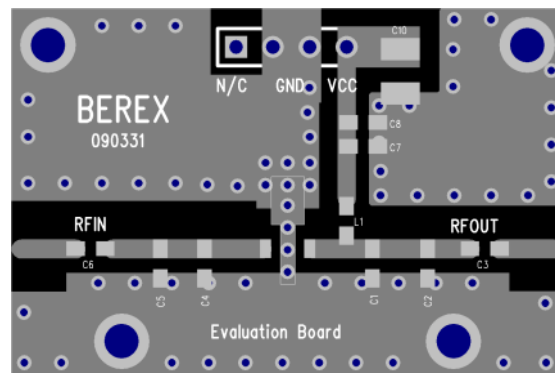
**PCB Land Pattern**



Note : All dimension \_ millimeters

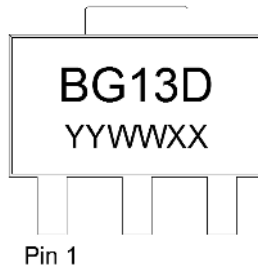
PCB lay out \_ on BeRex website

**PCB Mounting**



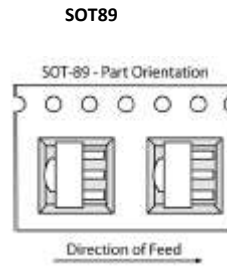


### Package Marking



YY = Year, WW = Working Week,  
XX = Wafer No.

### Tape & Reel



Packaging information:

Tape Width (mm): 12  
Reel Size (inches): 7  
Device Cavity Pitch (mm): 8  
Devices Per Reel: 1000

### Lead plating finish

100% Tin Matte finish

(All BeRex products undergoes a 1 hour, 150 degree C, Anneal bake to eliminate thin whisker growth concerns.)

### MSL / ESD Rating

<b>ESD Rating:</b>	Class 1C
<b>Value:</b>	<b>Passes &lt;2000V</b>
<b>Test:</b>	Human Body Model (HBM)
<b>Standard:</b>	JEDEC Standard JESD22-A114
<b>MSL Rating:</b>	<b>Level 1 at +260°C convection reflow</b>
<b>Standard:</b>	JEDEC Standard J-STD-020



Proper ESD procedures should be followed when handling this device.

**RoHS Compliance**

This part is compliant with Restrictions on the Use of Certain Hazardous Substances in Electrical and Electronic Equipment (RoHS) Directive 2011/65/EU as amended by Directive 2015/863/EU.

This product also is compliant with a concentration of the Substances of Very High Concern (SVHC) candidate list which are contained in a quantity of less than 0.1%(w/w) in each components of a product and/or its packaging placed on the European Community market by the BeRex and Suppliers.

**NATO CAGE code:**

2	N	9	6	F
---	---	---	---	---