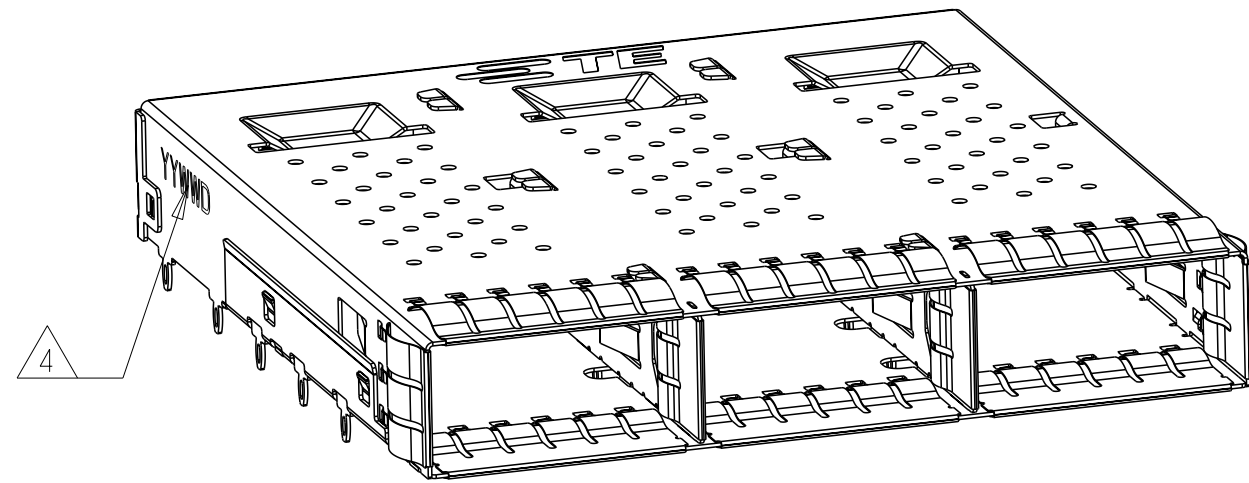
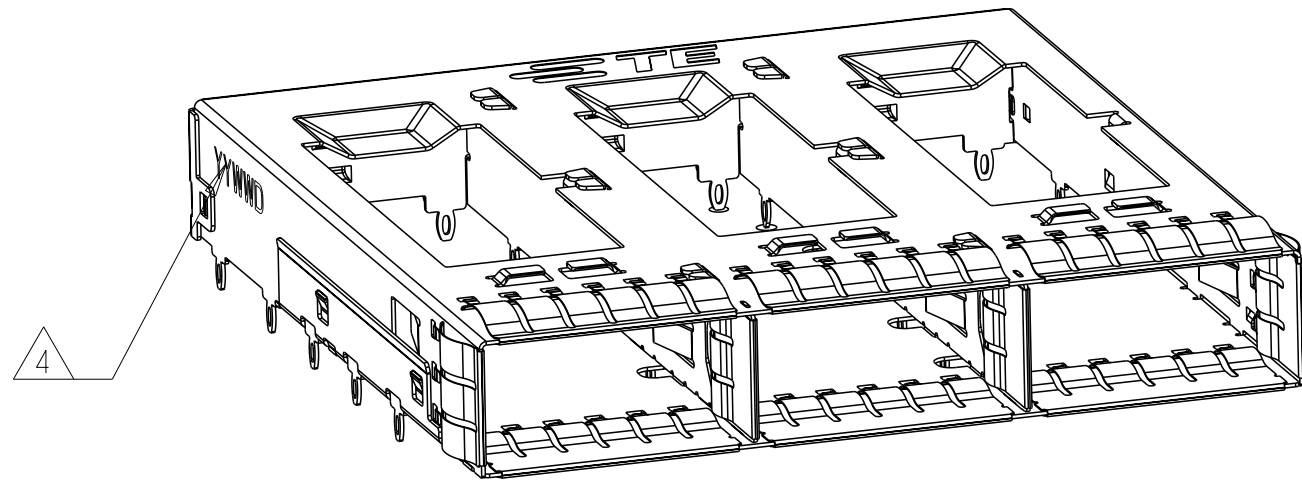


THIS DRAWING IS UNPUBLISHED. RELEASED FOR PUBLICATION 20
 © COPYRIGHT 20 BY - ALL RIGHTS RESERVED.

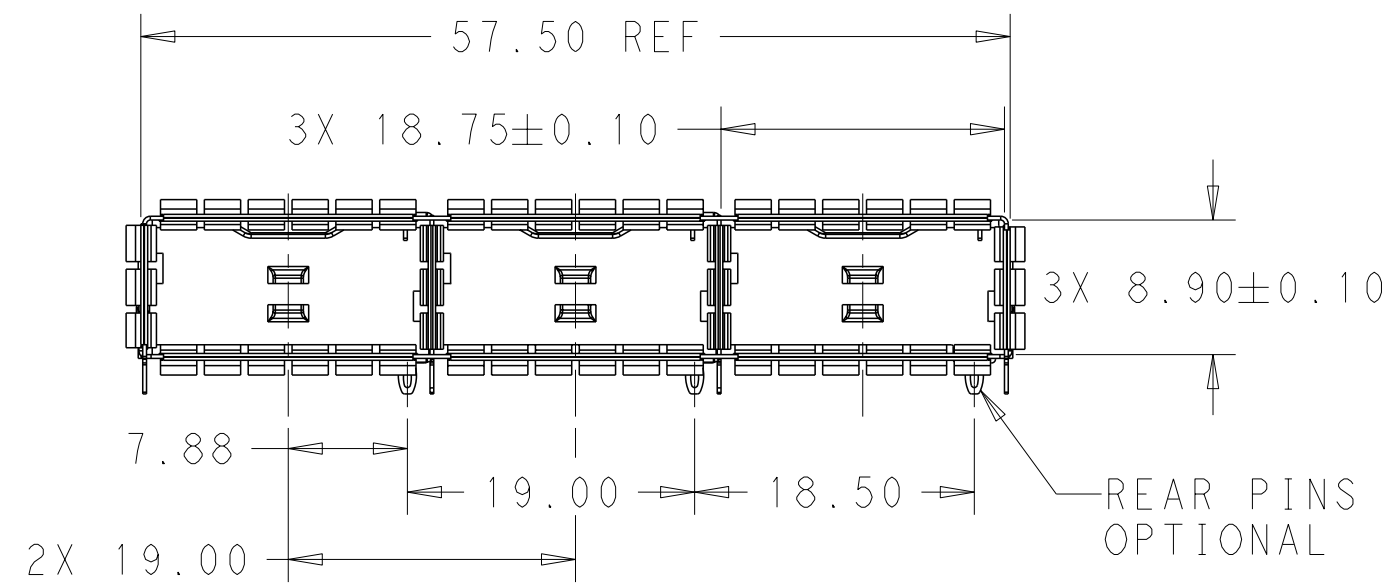
| REVISIONS | | | | |
|-----------|-----|-----------------|-----------|-------|
| P | LTR | DESCRIPTION | DATE | APVD |
| A | | INITIAL RELEASE | 11MAR2016 | JY SH |
| | | | | |
| | | | | |



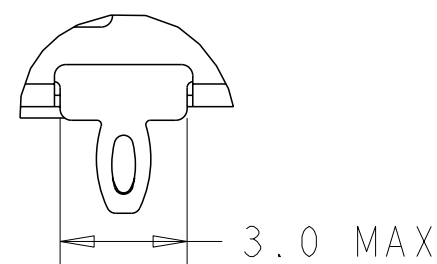
2170737-1, -4 AS SHOWN
SCALE 2:1



2170737-2, -5 AS SHOWN
SCALE 2:1

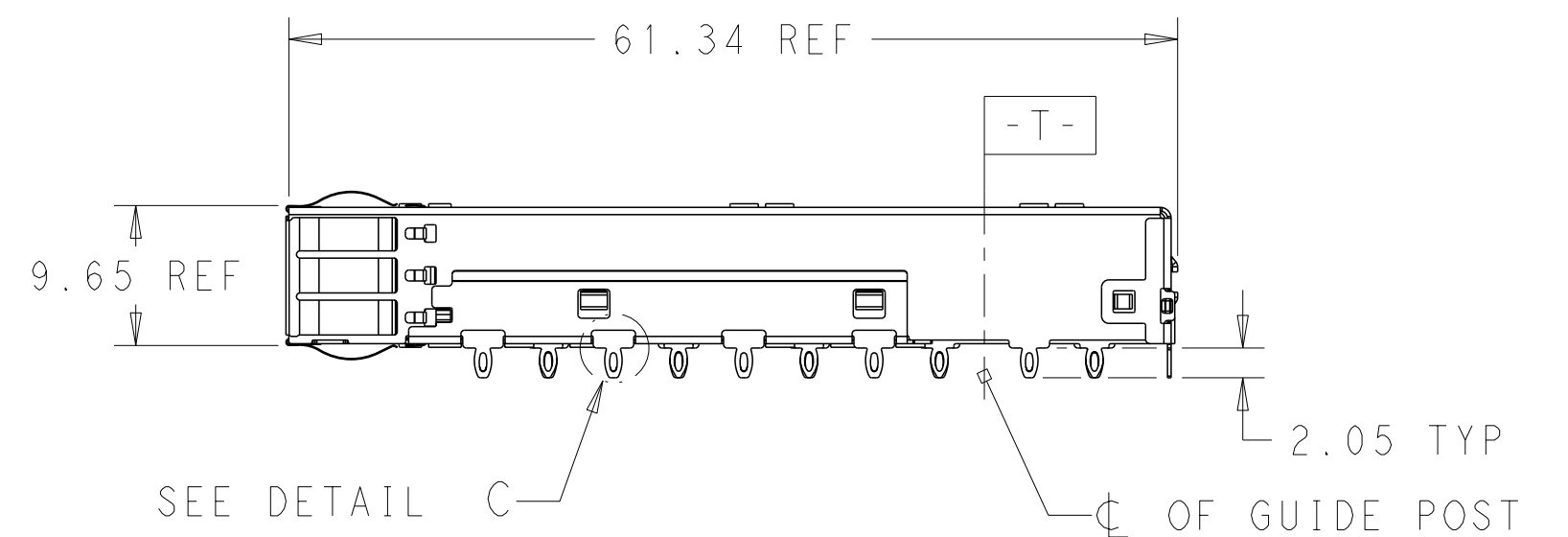


SCALE 2:1



DETAIL C
SCALE 6:1

1. COMPONENTS
 CAGE ASSEMBLY: NICKEL-SILVER ALLOY
 EMI SPRING: COPPER ALLOY/NICKEL PLATE
2. REFERENCE APPLICATION SPECIFICATION 114-32023 FOR RECOMMENDED DRILL HOLE DIAMETER AND PLATING THICKNESS
3. DATUM AND BASIC DIMENSION ESTABLISHED BY CUSTOMER
4. DATE CODE (YYWWD) MARKED APPROXIMATELY AS SHOWN.
5. MATES WITH QSFP28 MSA COMPATIBLE TRANSCEIVER.
6. MINIMUM PC BOARD THICKNESS: SINGLE SIDED: 1.57 MIN
 DOUBLE SIDED: 2.20 MIN
7. DATUM -A- IS TOP SURFACE OF THE HOST BOARD.
8. THESE HOLES ARE OPTIONAL WHEN THE REAR PINS ARE REMOVED.

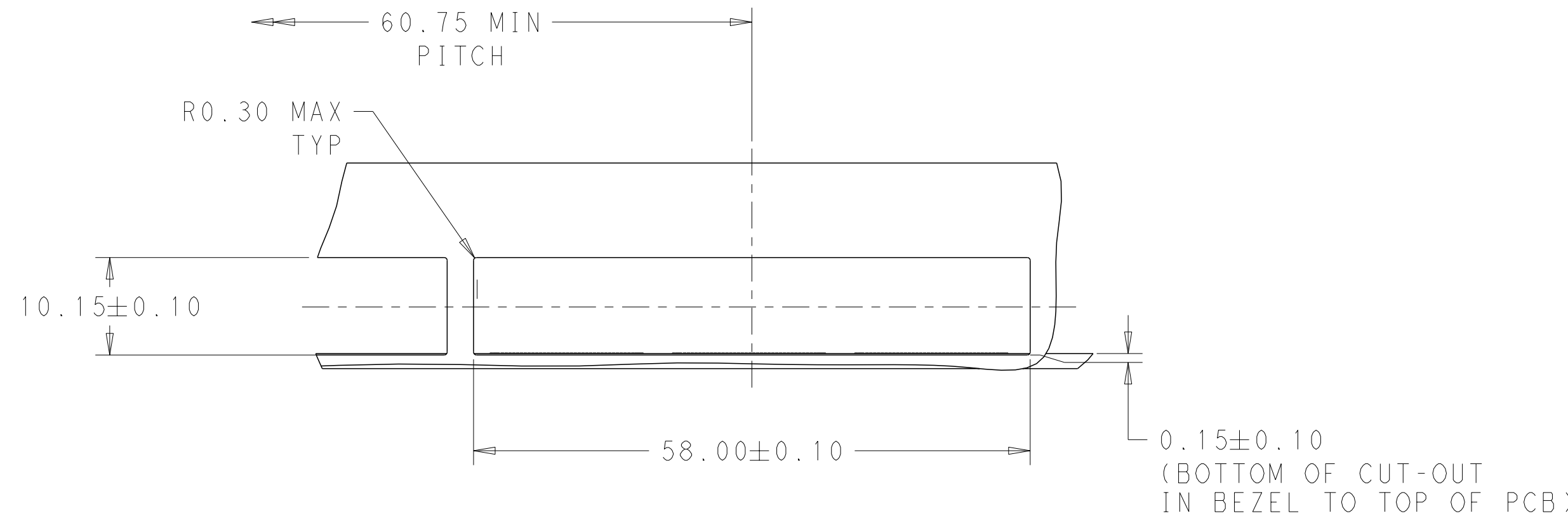


| | | |
|-------------------|-------------------------|-------------|
| WITHOUT | WITH | 2170737-5 |
| WITHOUT | WITHOUT | 2170737-4 |
| WITH | WITH | 2170737-2 |
| WITH | WITHOUT | 2170737-1 |
| REAR PIN OPTIONAL | HEAT SINK OPEN OPTIONAL | PART NUMBER |

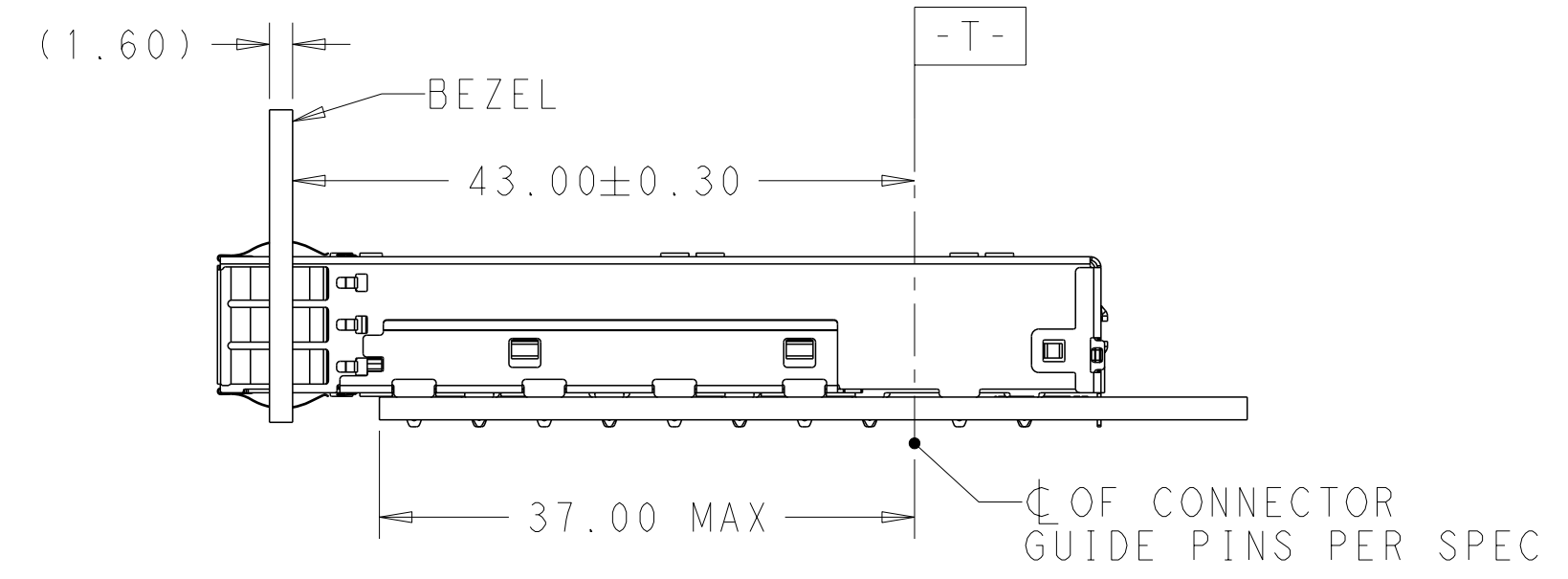
| | | | | |
|--|--|----------------------------|---|--|
| THIS DRAWING IS A CONTROLLED DOCUMENT. | | DWN BING LIU 11APR2014 | TE Connectivity | |
| | | CHK JASON YANG 11APR2014 | | |
| DIMENSIONS: mm | | APVD SEAN HAN 11MAR2016 | NAME RECEPTACLE CAGE ASSEMBLY THRU BEZEL, 1X3, QSFP28 | |
| TOLERANCES UNLESS OTHERWISE SPECIFIED: | | PRODUCT SPEC 108-19428 | SIZE CAGE CODE DRAWING NO RESTRICTED TO | |
| 0 PLC ± | | APPLICATION SPEC 114-32023 | A200779 C-2170737 | |
| 1 PLC ±0.25 | | WEIGHT - | SCALE 1:1 SHEET 1 OF 5 REV A | |
| 2 PLC ±0.2 | | CUSTOMER DRAWING | | |
| 3 PLC ± | | | | |
| 4 PLC ± | | | | |
| ANGLES ± | | | | |
| FINISH SEE NOTES | | | | |

THIS DRAWING IS UNPUBLISHED. RELEASED FOR PUBLICATION 20
 © COPYRIGHT 20 BY - ALL RIGHTS RESERVED.

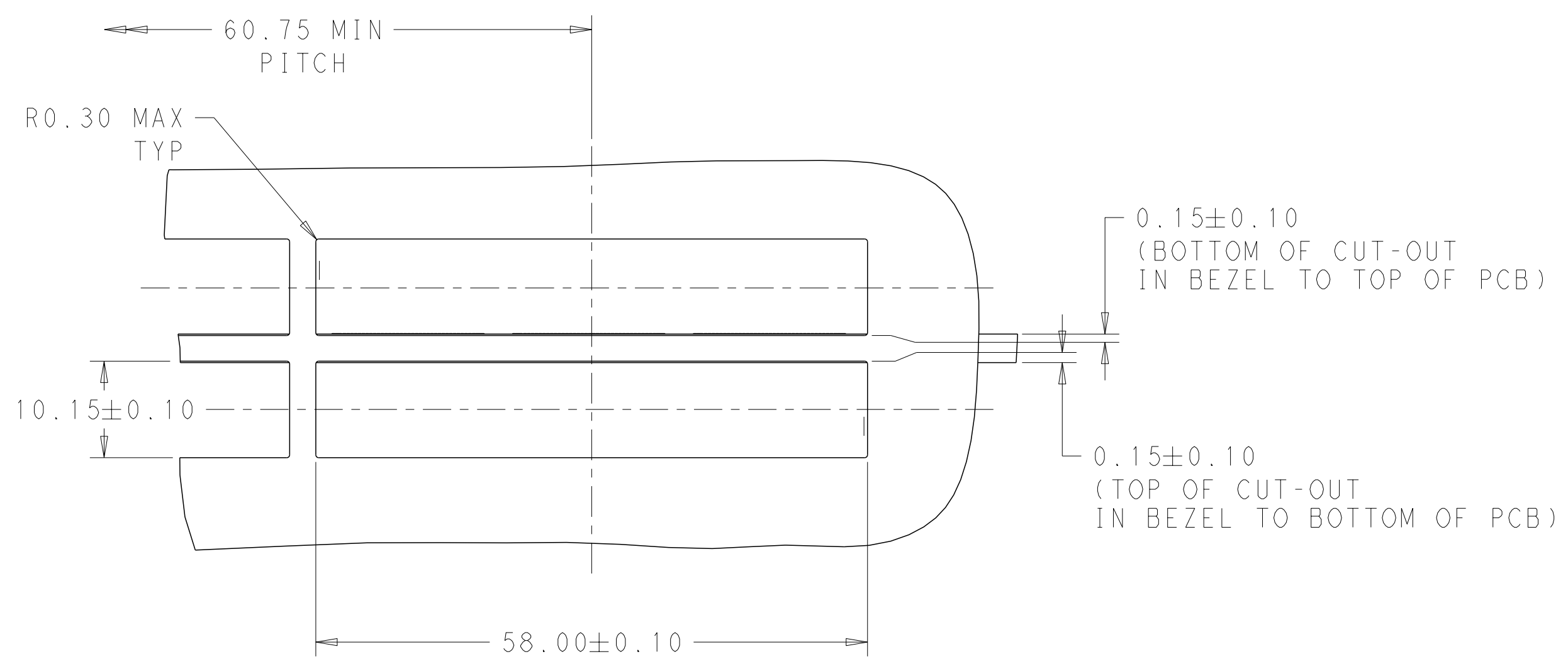
| REVISIONS | | | | |
|-----------|-----|-------------|------|------|
| P | LTR | DESCRIPTION | DATE | APVD |
| - | | SEE SHEET 1 | - | - |
| | | | | |
| | | | | |



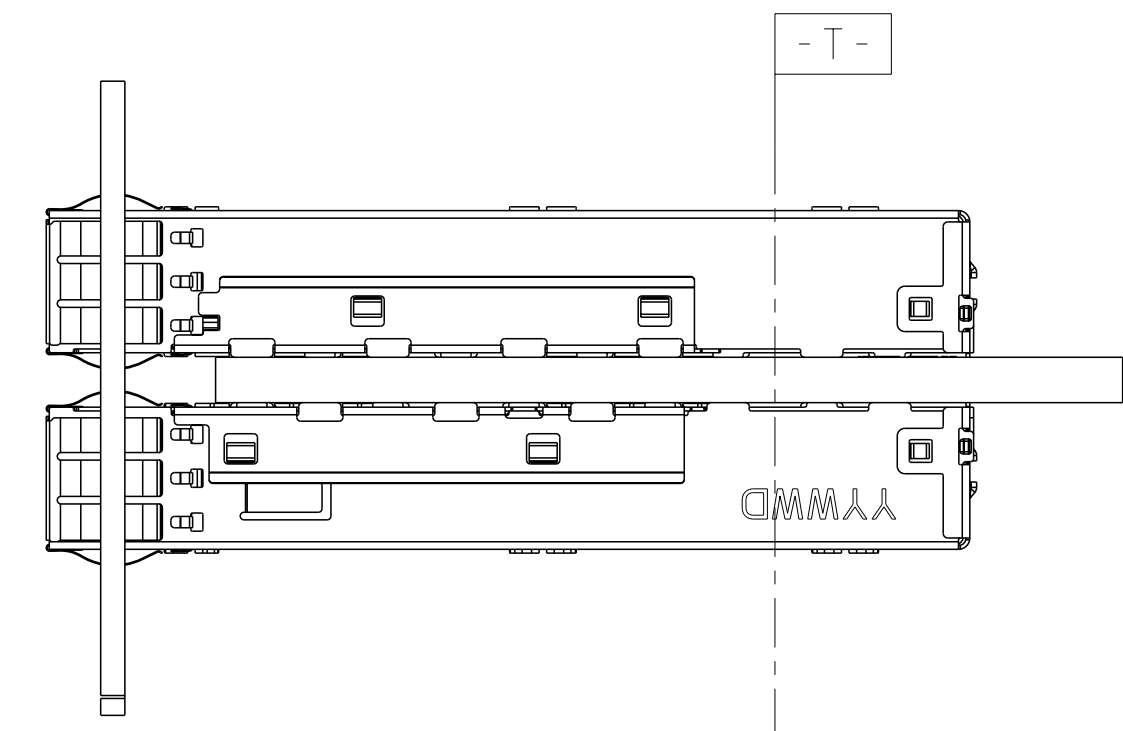
CAGE ASSEMBLY IS OMITTED



SINGLE SIDE MOUNTING
SCALE 2:1



CAGE ASSEMBLY IS OMITTED

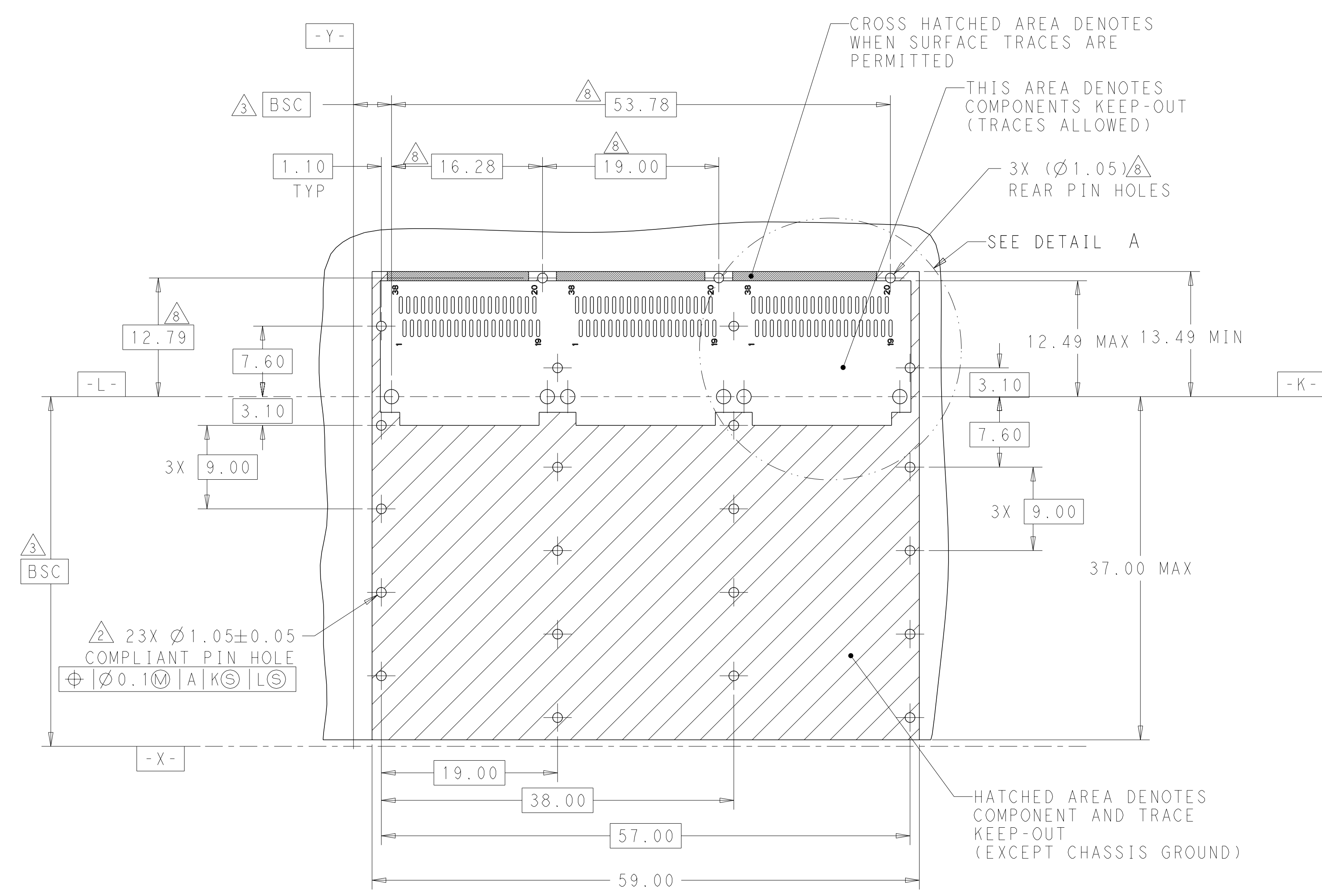


BELLY TO BELLY MOUNTING
SCALE 2:1

| | | | | |
|--|--|----------------------------|---|--|
| THIS DRAWING IS A CONTROLLED DOCUMENT. | | DWN BING LIU 11APR2014 | STE TE Connectivity | |
| DIMENSIONS: mm | | CHK JASON YANG 11APR2014 | | |
| TOLERANCES UNLESS OTHERWISE SPECIFIED: | | APVD SEAN HAN 11MAR2016 | NAME RECEPTACLE CAGE ASSEMBLY THRU BEZEL, 1X3, QSFP28 | |
| 0 PLC ± | | PRODUCT SPEC 108-19428 | SIZE CAGE CODE DRAWING NO RESTRICTED TO | |
| 1 PLC ±0.25 | | APPLICATION SPEC 114-32023 | A200779 C-2170737 | |
| 2 PLC ±0.2 | | WEIGHT - | SCALE 1:1 SHEET 2 OF 5 REV A | |
| 3 PLC ± | | CUSTOMER DRAWING | | |
| 4 PLC ± | | | | |
| ANGLES ± | | | | |
| FINISH | | | | |
| MATERIAL SEE NOTES | | | | |
| FINISH SEE NOTES | | | | |

THIS DRAWING IS UNPUBLISHED. RELEASED FOR PUBLICATION 20
 © COPYRIGHT 20 BY - ALL RIGHTS RESERVED.

| REVISIONS | | | | |
|-----------|-----|-------------|------|------|
| P | LTR | DESCRIPTION | DATE | APVD |
| - | - | SEE SHEET 1 | - | - |
| | | | | |
| | | | | |

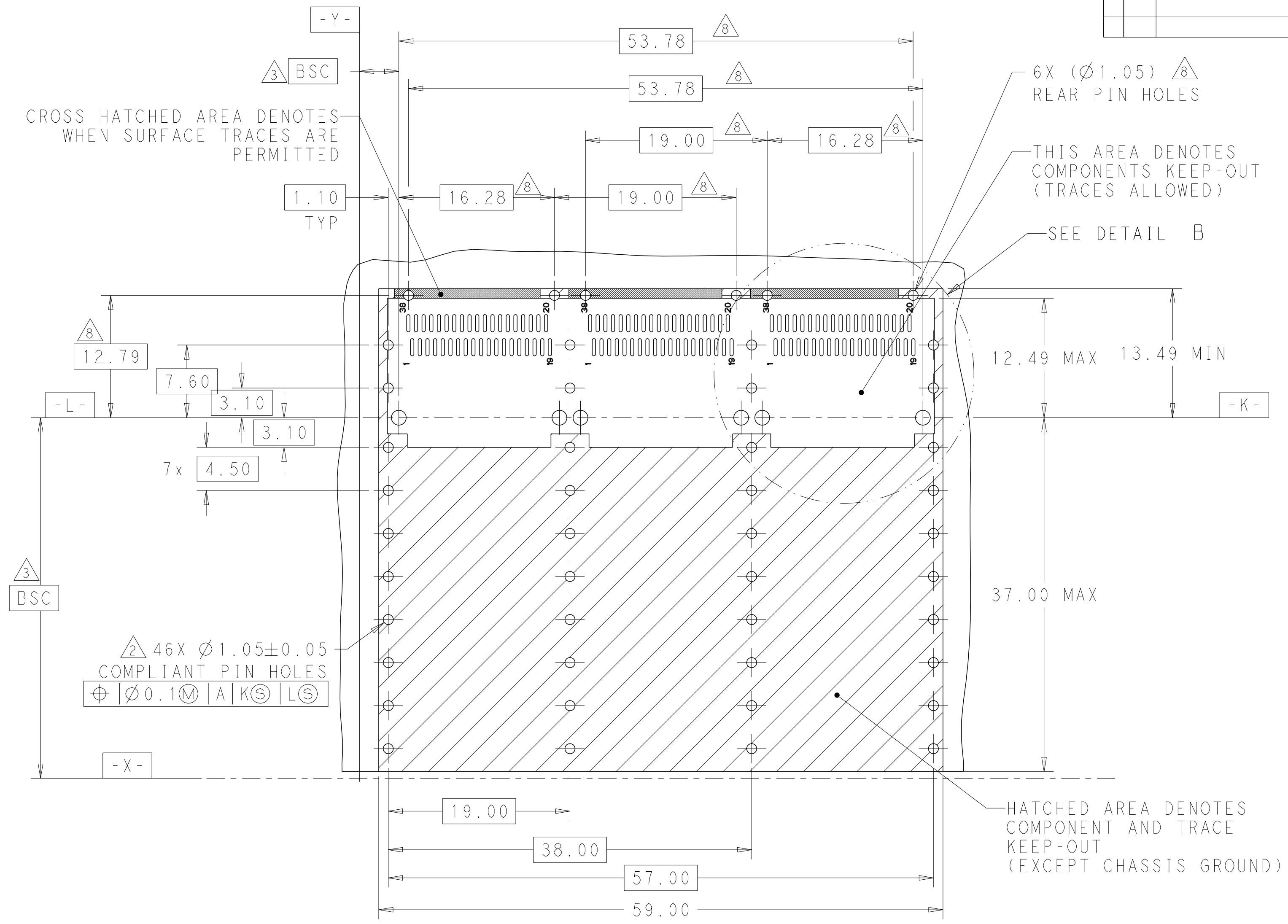


RECOMMENDED PCB LAYOUT
 SINGLE TYPE
 PCB TOLERANCE: ±0.05
 SCALE 3:1

| | | | | |
|--|--|----------------------------|---|--|
| THIS DRAWING IS A CONTROLLED DOCUMENT. | | DWN BING LIU 11APR2014 | TE Connectivity | |
| DIMENSIONS: mm | | CHK JASON YANG 11APR2014 | | |
| TOLERANCES UNLESS OTHERWISE SPECIFIED: | | APVD SEAN HAN 11MAR2016 | NAME RECEPTACLE CAGE ASSEMBLY THRU BEZEL, 1X3, QSFP28 | |
| 0 PLC ±- | | PRODUCT SPEC 108-19428 | SIZE CAGE CODE DRAWING NO RESTRICTED TO | |
| 1 PLC ±0.25 | | APPLICATION SPEC 114-32023 | A200779 C-2170737 | |
| 2 PLC ±0.2 | | WEIGHT - | SCALE 1:1 SHEET 3 OF 5 REV A | |
| 3 PLC ±- | | CUSTOMER DRAWING | | |
| 4 PLC ±- | | | | |
| ANGLES ±- | | | | |
| FINISH SEE NOTES | | | | |

THIS DRAWING IS UNPUBLISHED. RELEASED FOR PUBLICATION 20
 © COPYRIGHT 20 BY - ALL RIGHTS RESERVED.

| REVISIONS | | | | |
|-----------|-----|-------------|------|------|
| P | LTR | DESCRIPTION | DATE | APVD |
| - | - | SEE SHEET 1 | - | - |
| | | | | |
| | | | | |

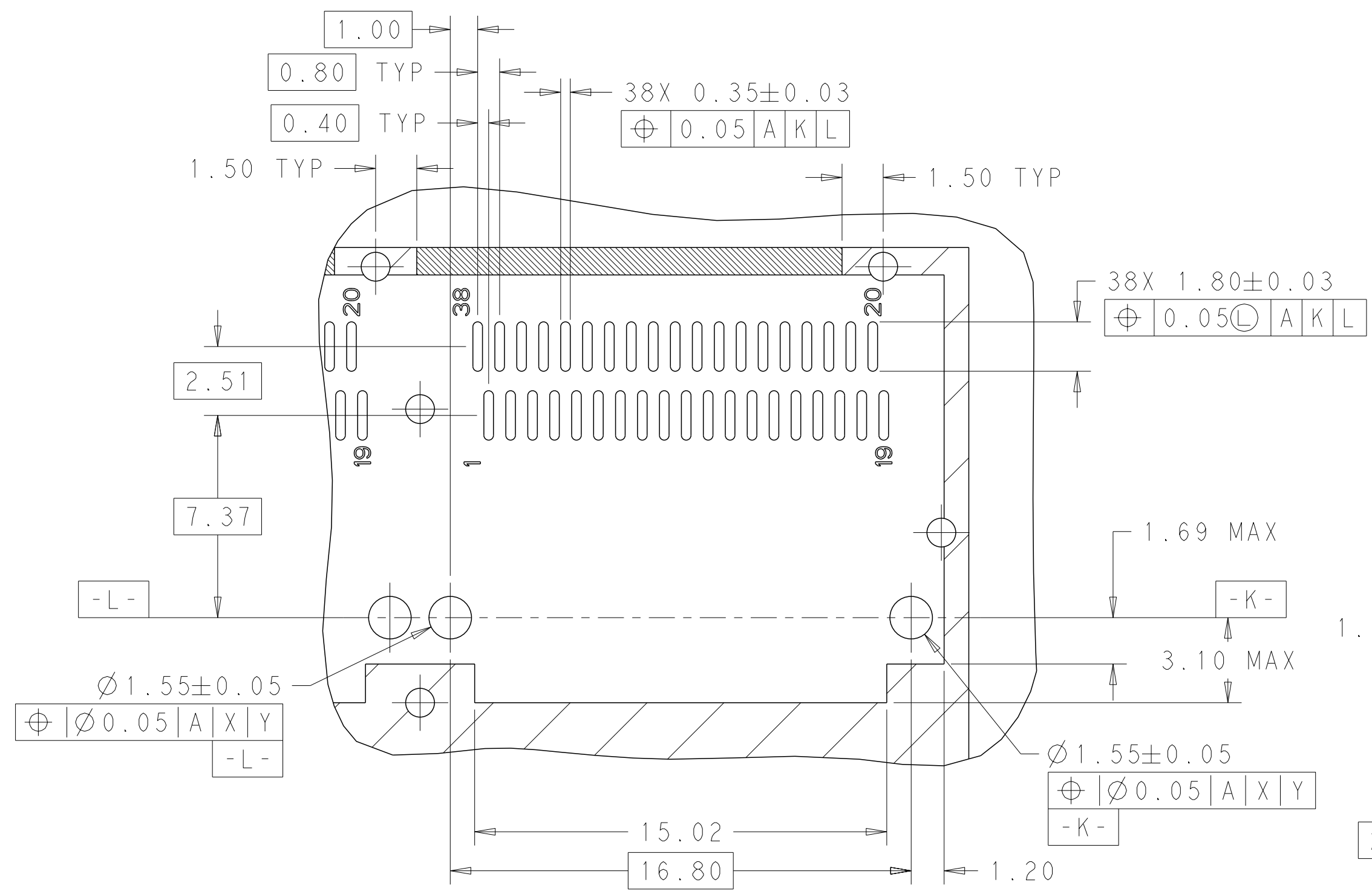


RECOMMENDED PCB LAYOUT
 BELLY TO BELLY TYPE
 PCB TOLERANCE: ±0.05
 SCALE 3:1

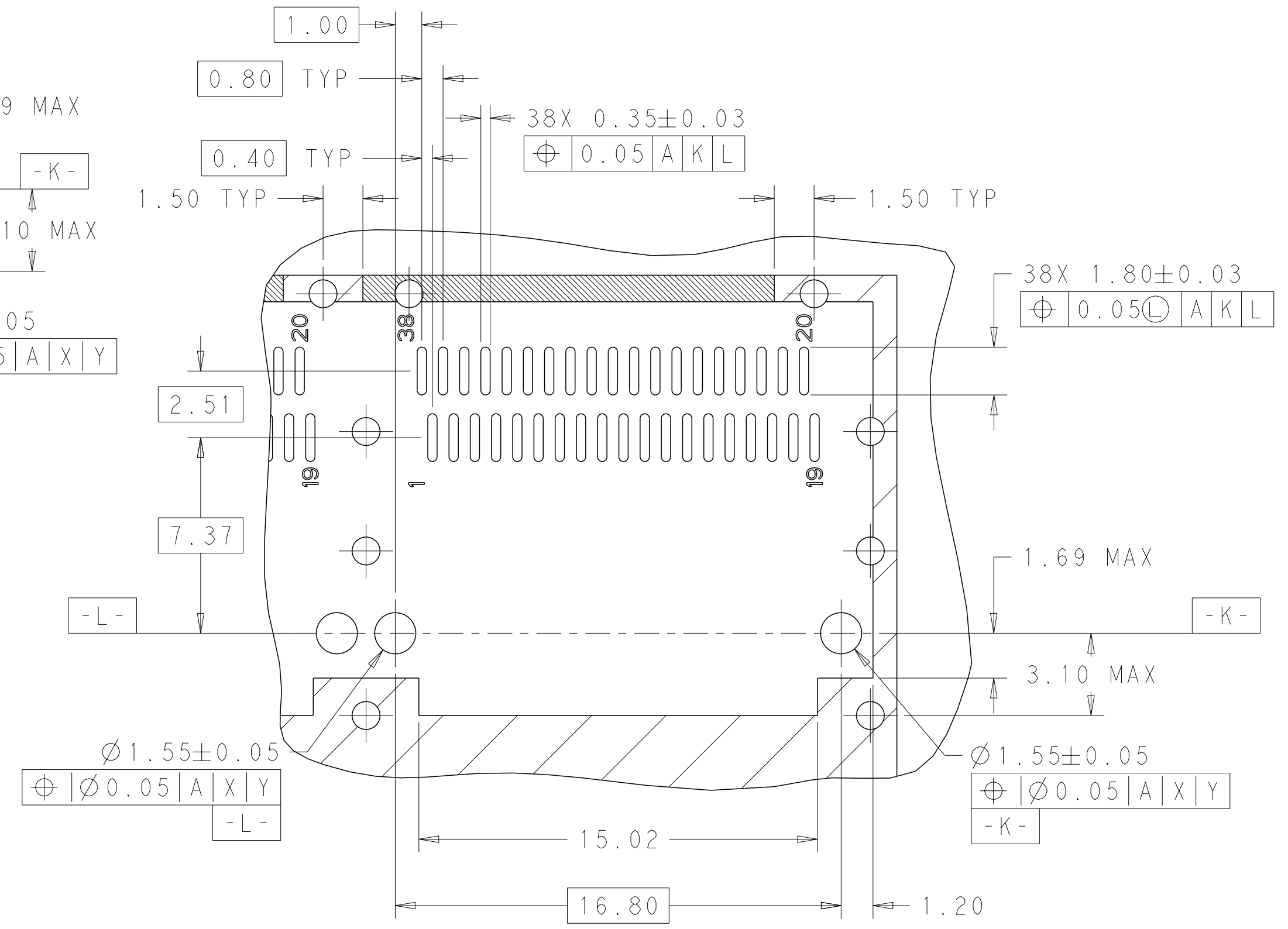
| | | | | |
|--|--|----------------------------|---|---------------------|
| THIS DRAWING IS A CONTROLLED DOCUMENT. | | DWN BING LIU 11APR2014 | TE Connectivity | |
| | | CHK JASON YANG 11APR2014 | | |
| | | APVD SEAN HAN 11MAR2016 | NAME RECEPTACLE CAGE ASSEMBLY THRU BEZEL, 1X3, QSFP28 | |
| DIMENSIONS: mm | | PRODUCT SPEC 108-19428 | SIZE A200779 | CAGE CODE C-2170737 |
| TOLERANCES UNLESS OTHERWISE SPECIFIED: | | APPLICATION SPEC 114-32023 | DRAWING NO | RESTRICTED TO |
| 0 PLC ±- | | WEIGHT - | - | |
| 1 PLC ±0.25 | | CUSTOMER DRAWING | SCALE 1:1 | SHEET 4 OF 5 |
| 2 PLC ±0.2 | | | | REV A |
| 3 PLC ±- | | | | |
| 4 PLC ±- | | | | |
| ANGLES ±- | | | | |
| FINISH SEE NOTES | | | | |

THIS DRAWING IS UNPUBLISHED. RELEASED FOR PUBLICATION 20
 © COPYRIGHT 20 BY - ALL RIGHTS RESERVED.


| REVISIONS | | | | |
|-----------|-----|-------------|------|------|
| P | LTR | DESCRIPTION | DATE | APVD |
| - | - | SEE SHEET 1 | - | - |
| | | | | |
| | | | | |



DETAIL A
SCALE 6:1



DETAIL B
SCALE 6:1

| | | | |
|--|--|--------------------------------|---|
| THIS DRAWING IS A CONTROLLED DOCUMENT. | | DWN BING LIU 11APR2014 |  TE Connectivity |
| | | CHK JASON YANG 11APR2014 | |
| DIMENSIONS: mm | | APVD SEAN HAN 11MAR2016 | NAME RECEPTACLE CAGE ASSEMBLY THRU BEZEL, 1X3, QSFP28 |
| TOLERANCES UNLESS OTHERWISE SPECIFIED: 0 PLC ± 1 PLC ±0.25 2 PLC ±0.2 3 PLC ± 4 PLC ± ANGLES ± FINISH | | PRODUCT SPEC 108-19428 | |
| MATERIAL SEE NOTES | | APPLICATION SPEC 114-32023 | SIZE A200779 |
| | | WEIGHT - | DRAWING NO C-2170737 |
| | | CUSTOMER DRAWING | RESTRICTED TO - |
| | | SCALE 1:1 | SHEET 5 OF 5 |
| | | | REV A |