

MATERIAL SPECIFICATIONS:
 Housing: LCP, UL-94V-0 rated
 Contacts: Phosphor bronze, Tin plated

ELECTRICAL SPECIFICATIONS:
 Rated current : UL= 9A / 18AWG, 7A / 20 - 24AWG
 cUL = 6A / 18AWG, 4A / 20 - 24AWG
 IEC/EN = 5 Amps
 Rated voltage: UL/cUL = 600V, IEC/EN = 250V

MECHANICAL SPECIFICATIONS:
 Applicable wire: 0.2 ~0.75mm² solid
 24-18 AWG solid, prebond or topcoated stranded
 Wire strip length: 7-8mm
 Connection type: Cage clamp
 Wire release: with tool
 Solder temperature: 270°C max.

ENVIRONMENTAL SPECIFICATIONS:
 Operating Temperature: -40°C ~ +105°C



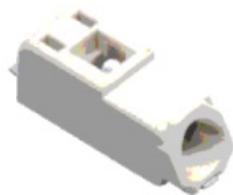
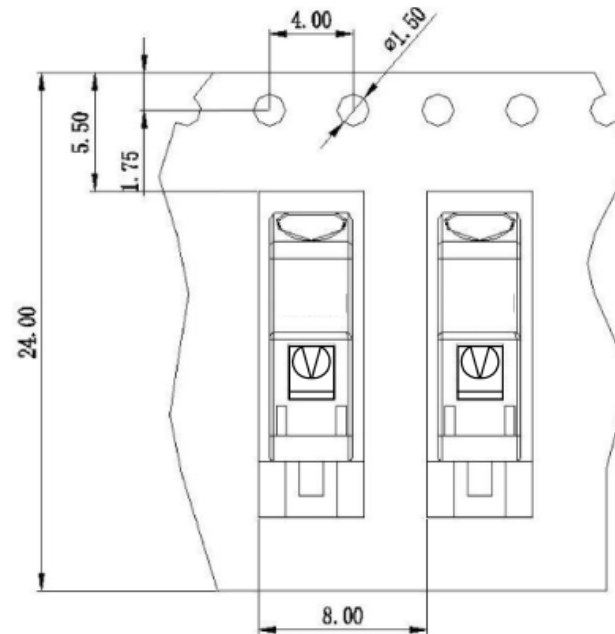
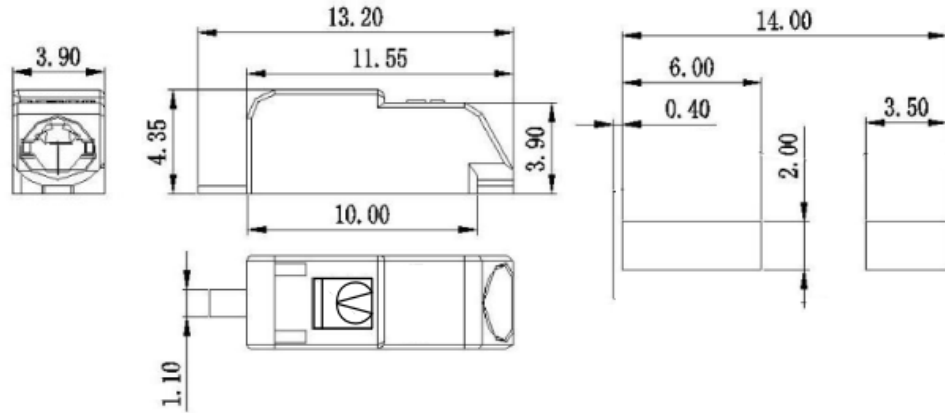
SAFETY AGENCY APPROVALS:

STANDARDS: UL1977 / CSA-C22.2 No. 182.3

STANDARDS: IEC/EN 60998-1:2004 / 60998-2-2:2004

PACKAGING:

Tape & Reel: 2000 pcs per reel



TOLERANCE UNLESS OTHERWISE SPECIFIED	
X	± 1
X.X	± 0.4
X.XX	± 0.13
DRAWN BY	PB
DATE:	1/24/18
CHECK BY	DATE:
APPR BY	DATE:

Power Dynamics, Inc.
 Phone: 973 560-0019 Whippany, New Jersey Fax: 973 560-0076

PART: 4mm PITCH SMT TERMINAL BLOCK
 SINGLE POLE; FOR LED APPLICATIONS

PART #		SHEET 1 of 1
PD-LTB4-1P		
MC: B07-1P	ALL DIMENSIONS FOR REFERENCE ONLY DIMENSIONS ARE IN MILLIMETERS	
SCALE: NTS	REV:	

REVISIONS	CHNG	CHK	APPR
REV	DATE	CHANGE	