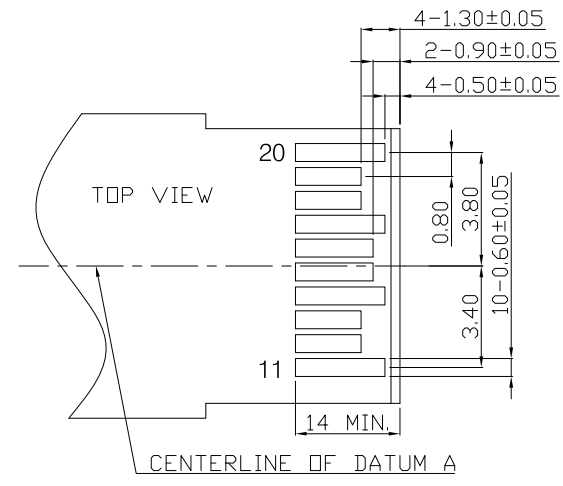
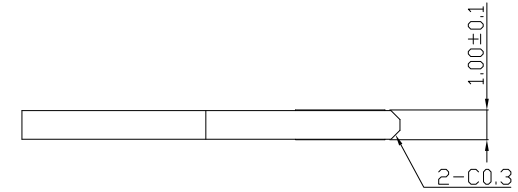


1 2 3 4 5 6 7 8

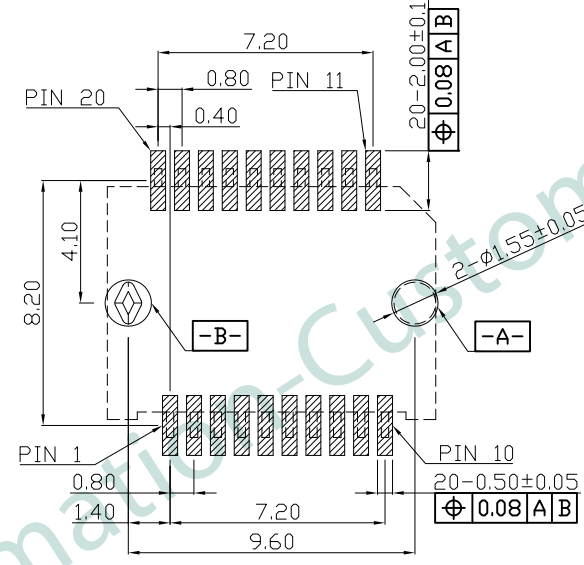
A



B

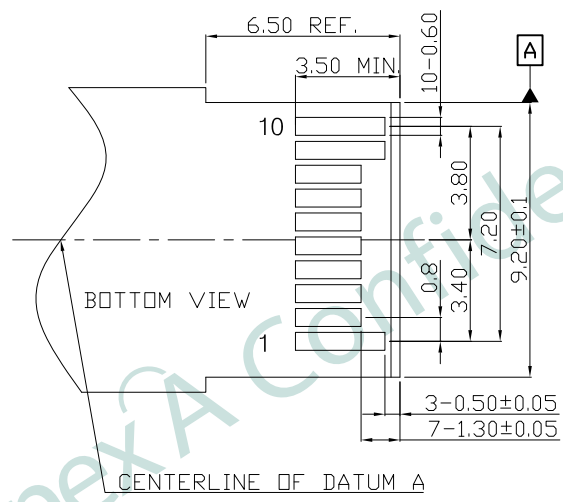


C



RECOMMENDED PCB LAYOUT(TOP VIEW)
(ALL TOLERANCES ARE ±0.05)

D



E

RECOMMENDED LAYOUT
MATING PCB SIDE

F

KSFP-N-SSM0-2008

TYPE
N: CONNECTOR
S: STANDARD
SMT
0: N/A

SERIAL NUMBER
0: W/O LIGHT PIPE
NUMBER OF PIN

PART NO		KSFP-N-SSM0-2008		
TITLE	SFP CONNECTOR PITCH 0.80mm, 20 PIN SMT TYPE			
REV : 01				
UNIT	DRAWN	CHKD	DATE	SHEET
mm[inch]	CINDY	VINCENT	Jul. 05, '18	2 of 2