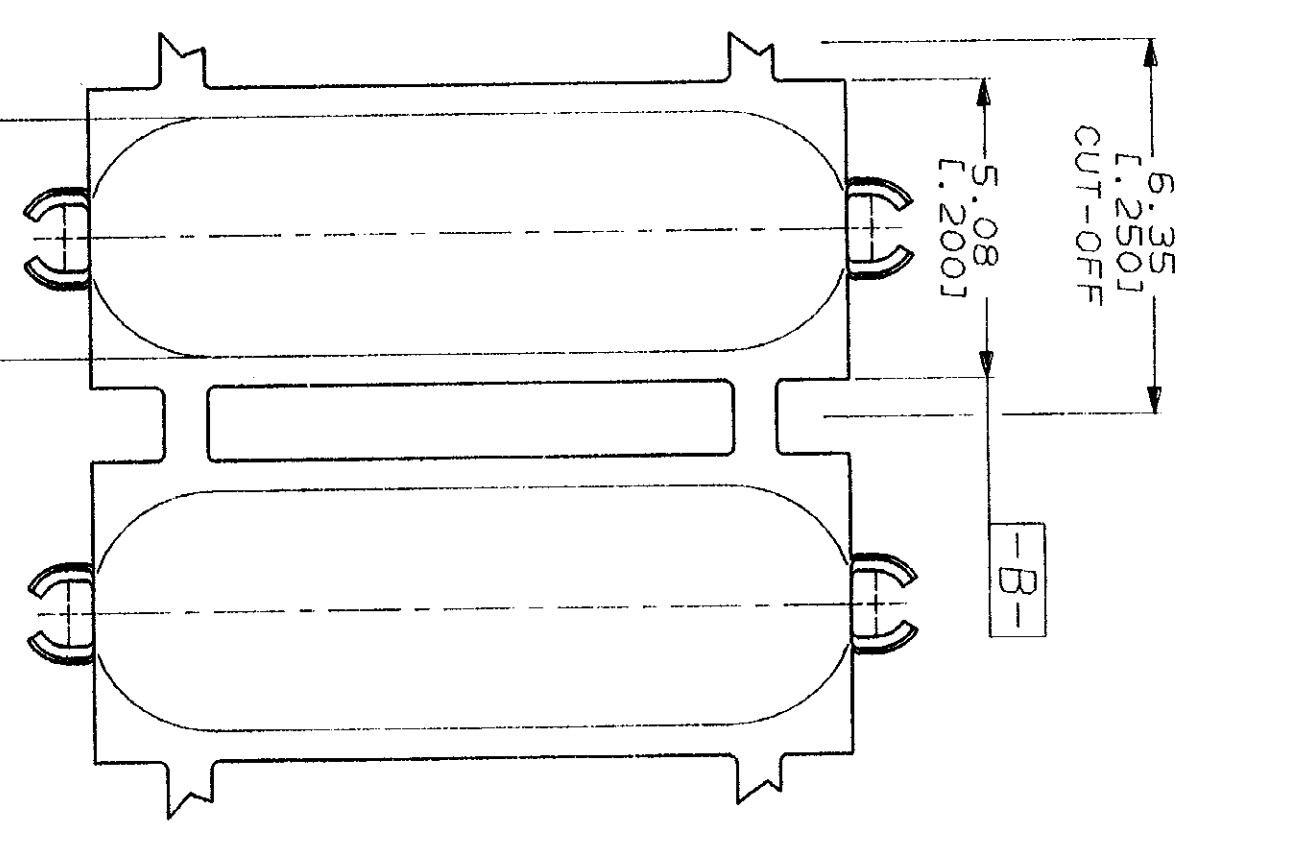
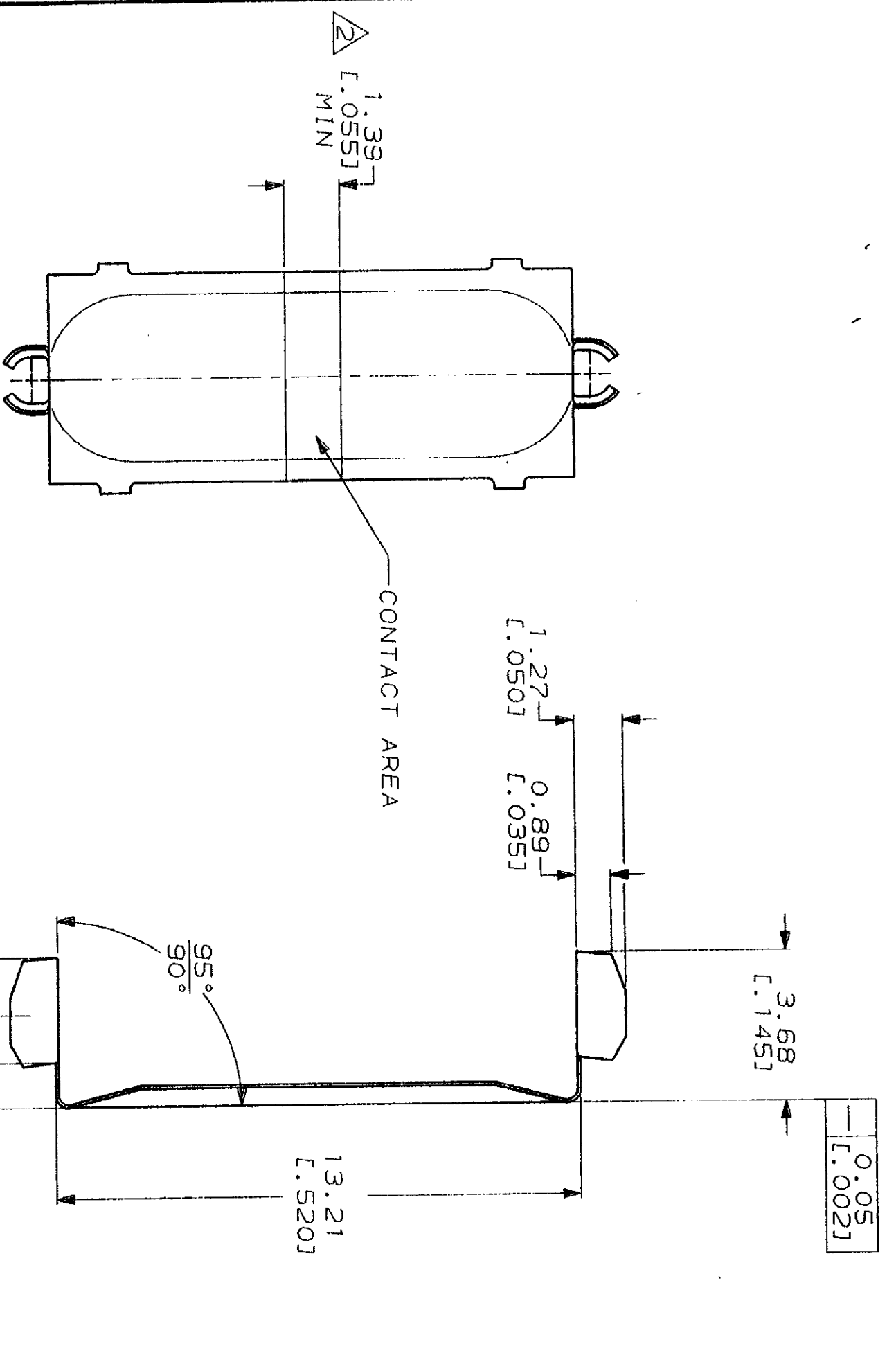


DRAWING MADE IN THIRD ANGLE PROJECTION
 THIS DRAWING IS UNPUBLISHED. RELEASED FOR PUBLICATION
 © COPYRIGHT 1984 BY AMP INCORPORATED, HARRISBURG, PA. ALL INTERNATIONAL RIGHTS RESERVED. AMP PRODUCTS MAY BE COVERED BY U.S. AND FOREIGN PATENTS AND/OR PATENTS PENDING.

LOC	DISP	REV	DESCRIPTION	DATE	APPROVED
AF	52	F	REDWN PER AF-4822	6/2/87	1/84



- 1 TIN ON OUTSIDE OF MOUNTING LEGS ONLY.
- 2 .000030 MIN GOLD IN CONTACT AREA ONLY.
- 3 SEE DWG 62313 FOR BUTTON CONTACT.
- 4 THIS DRAWING IS RESTRICTED FOR FORD MOTOR CO., DELCO REMY, AND VEEDER-ROOT CO.
- 5 DIMENSIONS IN BRACKETS ARE IN INCHES.

METRIC

UNLESS OTHERWISE SPECIFIED DIMENSIONS ARE IN mm TOLERANCES ON:		DR	4/8/87	NAME	AMP
2 PL DEC ±0.25 [L.010]		CHK	5/18/87	AMP INCORPORATED	
3 PL DEC ± ANGLES ±		APP'D	7/18/87	Harrisburg, Pa. 17105	
MATERIAL 0.08 [L.003] THK STAINLESS STEEL		APP'D	7/10/87	SWITCH, KEYBOARD, HIGH FORCE	
FINISH SEE TABLE		PRODUCT SPEC	108-2018	SIZE	C
WEIGHT		APPLICATION SPEC	114-2014	FSCH NO	00779
				DRAWING NO	62614
				SCALE	8:1
				SHEET	1 OF 1

P/N ON STRIP	REMARKS	FINISH	PART NO
62644-2	LOOSE PIECE	A	62614-2
62644-1	LOOSE PIECE	A	62614-1