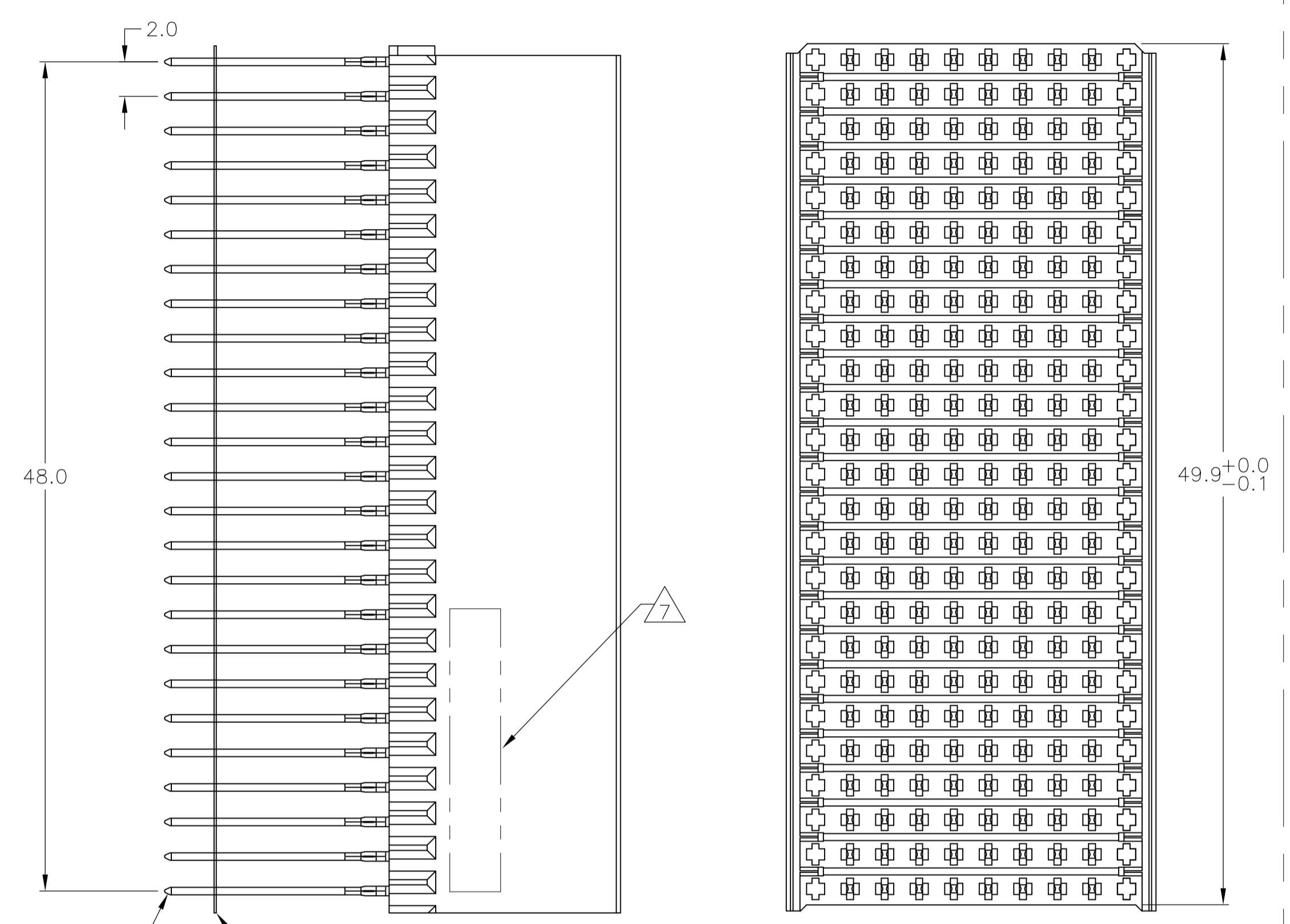
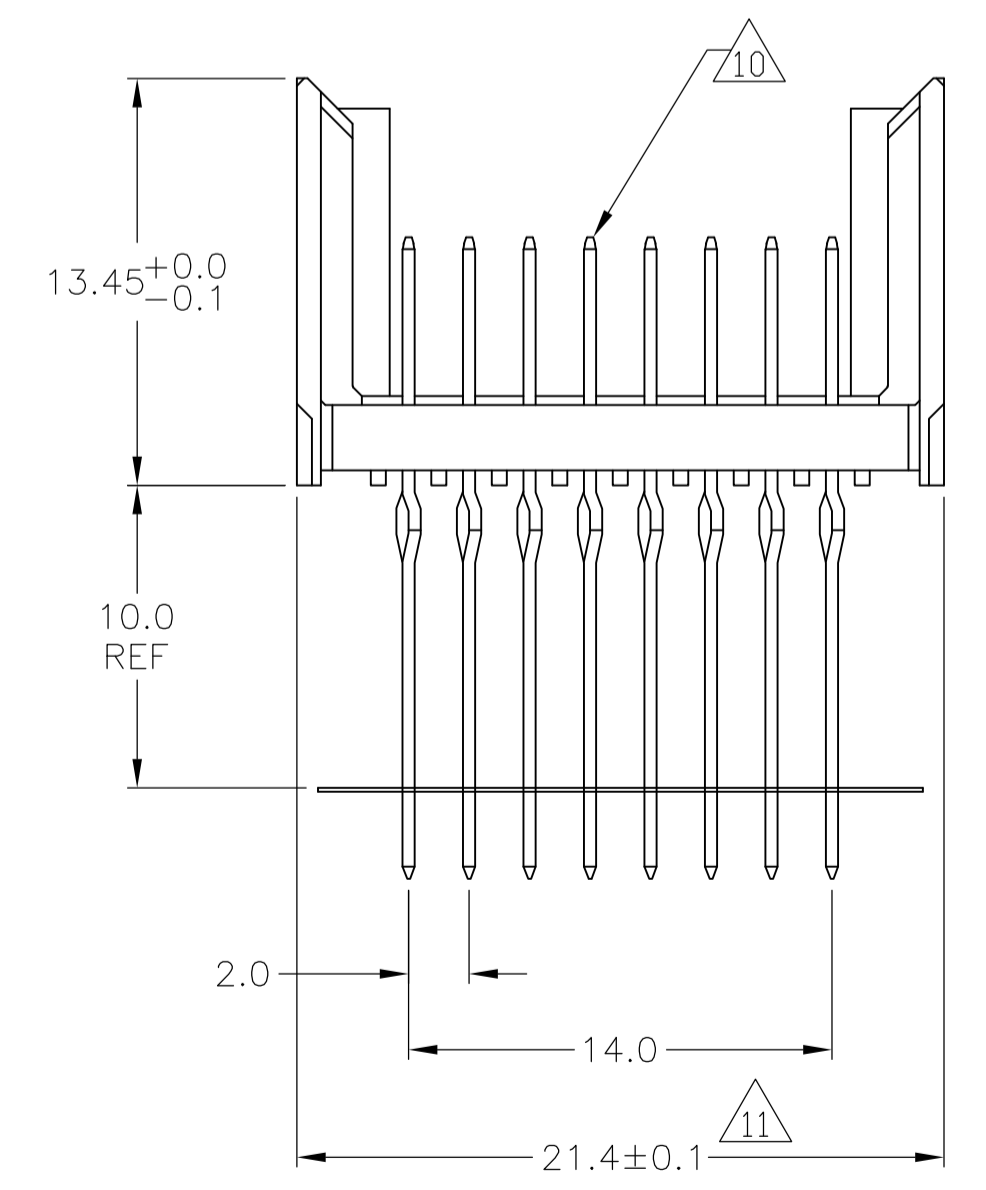


LOC		DIST		REVISIONS			
P	LTR	DESCRIPTION	DATE	DMN	APVD		
A		REVISED PER ECN 0512-0303-05	17APR06	JDP	GES		
B		ECR-10-018652	10SEP10	JS	MQW		

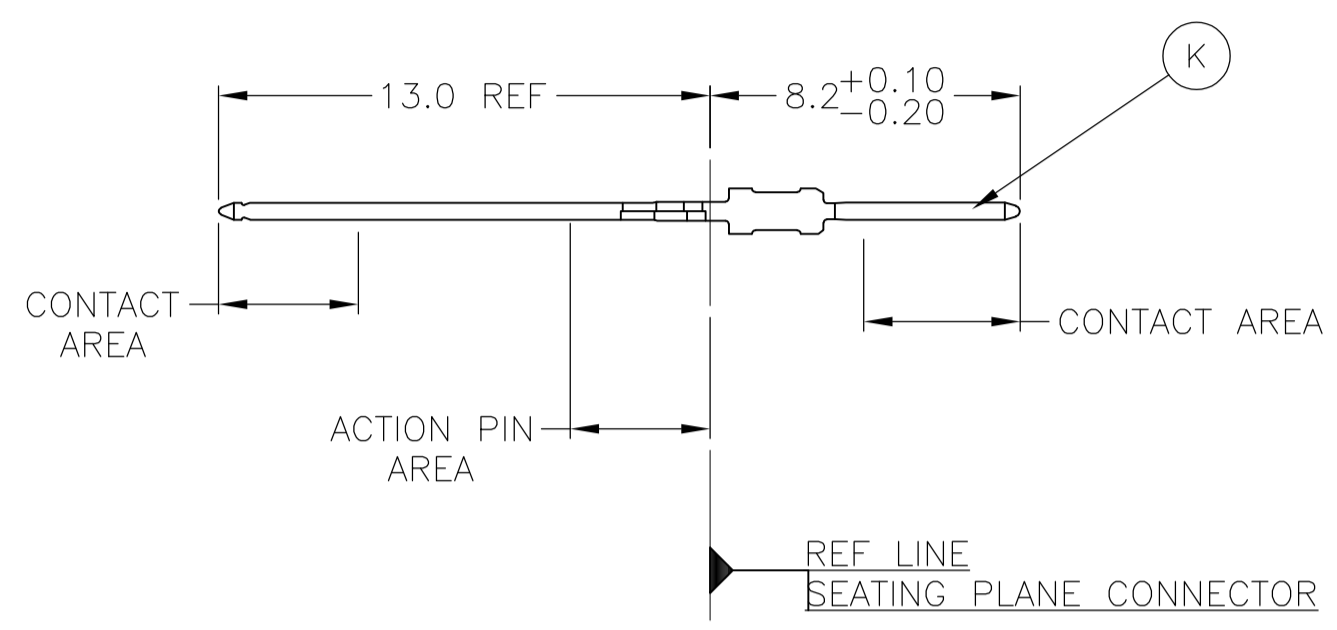
CONNECTOR ASSEMBLY EXAMPLARY LOADED



POST ALIGNMENT STRIP



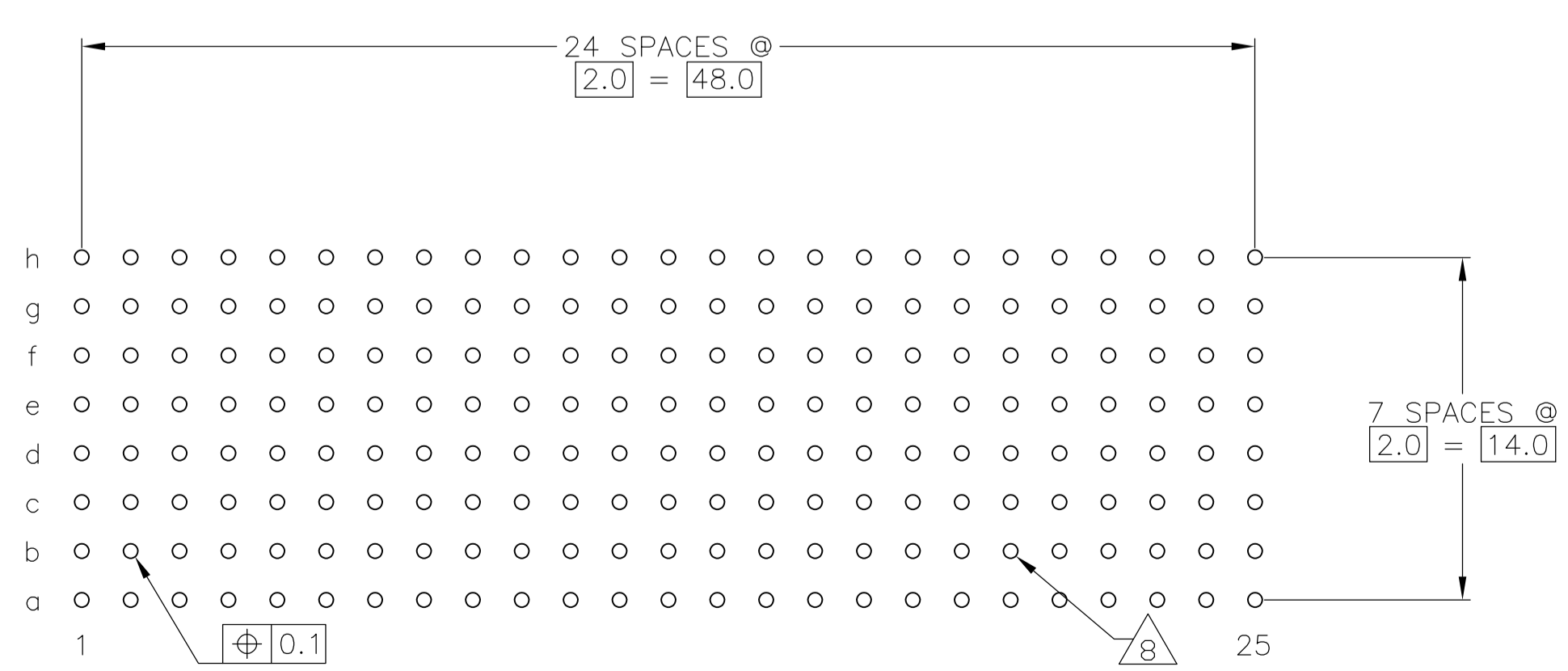
CONTACT DIMENSIONS SCALE 5:1



CONTACT LAYOUT

	z	a	b	c	d	e	f	g	h	i
1		K	K	K	K	K	K	K		
2		K	K	K	K	K	K	K		
3		K	K	K	K	K	K	K		
4		K	K	K	K	K	K	K		
5		K	K	K	K	K	K	K		
6		K	K	K	K	K	K	K		
7		K	K	K	K	K	K	K		
8		K	K	K	K	K	K	K		
9		K	K	K	K	K	K	K		
10		K	K	K	K	K	K	K		
11		K	K	K	K	K	K	K		
12		K	K	K	K	K	K	K		
13		K	K	K	K	K	K	K		
14		K	K	K	K	K	K	K		
15		K	K	K	K	K	K	K		
16		K	K	K	K	K	K	K		
17		K	K	K	K	K	K	K		
18		K	K	K	K	K	K	K		
19		K	K	K	K	K	K	K		
20		K	K	K	K	K	K	K		
21		K	K	K	K	K	K	K		
22		K	K	K	K	K	K	K		
23		K	K	K	K	K	K	K		
24		K	K	K	K	K	K	K		
25		K	K	K	K	K	K	K		

RECOMMENDED PCB-HOLE LAYOUT COMPONENT SIDE SHOWN



PLATED THRU HOLES PARAMETERS REFERENCE APPLICATION SPECIFICATION

2 6 12	1-5646373-9
2 5 12	5646373-9
2 4	5646373-4
2 3	5646373-1
FINISH	PART NUMBER

THIS DRAWING IS A CONTROLLED DOCUMENT.

DIMENSIONS: mm	TOLERANCES UNLESS OTHERWISE SPECIFIED:	APVD: G.SKIPPER 13JUL05	NAME: MALE ASSEMBLY, Z-PACK 2mm HM, TYPE E
0-PLC ±	1-PLC ±0.1	108-1622	SIZE: 114-19029
2-PLC ±0.2	3-PLC ±	114-19029	WEIGHT: A1 00779
4-PLC ±	ANGLES ±	114-19029	SCALE: 4:1
MATERIAL: 1	FINISH: SEE TABLE	114-19029	SHEET: 1 OF 2
		114-19029	REV: B

Customer Drawing

LOC		DIST		REVISIONS				
P	LTR	DESCRIPTION	DATE	DN	APVD			
AD	00	SEE SHEET 1	-	-	-			

- 1 MATERIAL:
CONTACT: PHOSPHOR BRONZE.
HOUSING: GLASS-FILLED POLYESTER.
- 2 GENERAL PLATING SPECIFICATION: UNDERPLATING
(ENTIRE CONTACT): 1.27µm MIN NICKEL AND ACTION
PIN: 0.5µm MIN TIN.
FOR PLATING OF MATING SURFACES SEE APPLICABLE
SPECIFICATION REFERENCE FOR EACH DASH NUMBER.
- 3 CONFORMS TO ALL TESTING ACCORDING TO IEC 61076-4-101
PERFORMANCE LEVEL 2.
- 4 CONFORMS TO ALL TESTING ACCORDING TO IEC 61076-4-101
PERFORMANCE LEVEL 1.
- 5 CONNECTOR TESTED AND QUALIFIED AGAINST TELCORDIA GR-1217-CORE QUALITY LEVEL 3,
CENTRAL OFFICE APPLICATIONS.
- 6 CONNECTOR TESTED AND QUALIFIED AGAINST TELCORDIA GR-1217-CORE QUALITY LEVEL 3,
UNCONTROLLED ENVIROMENT APPLICATIONS.
- 7 CONNECTOR MARKED WITH PART NUMBER AND DATE CODE.
ADDITIONAL CHARACTERS OR MARKINGS, AS WELL AS THE LOCATION OF THE MARKINGS,
MAY BE ADDED FOR TRACEABILITY BASED UPON MANUFACTURERS DISCRETION.
- 8 PLATED-THROUGH HOLES AT 2x2mm SQUARE GRID
PATTERN DEFINED BY CONTACT LAYOUT.
- 9 FOR ACTUAL PIN LOADING SEE "CONTACT LAYOUT".
- 10 FOR ACTUAL PIN DIMENSIONS SEE "CONTACT DIMENSIONS".
- 11 TO BE MEASURED AT BOTTOM OF SHROUD.
- 12 CONNECTOR LUBRICATED WITH BELCORE APPROVED LUBRICANT,
TECHNICAL REFERENCE: TR-NWT-001217 ISSUE 1, SEP 1992.

THIS DRAWING IS A CONTROLLED DOCUMENT.		DIN S. WAITMAN 13JUL05		Tyco Electronics Corporation Harrisburg, Pa 17105-3608	
DIMENSIONS: mm		TOLERANCES UNLESS OTHERWISE SPECIFIED: ±0.2		Tyco Electronics	
		0-PLG ± 1-PLG ±0.1 2-PLG ± 3-PLG ± 4-PLG ± ANGLES ±1°		GSKIPPER 13JUL05 NAME: MALE ASSEMBLY, Z-PACK 2mm HM, TYPE E PRODUCT SPEC: 108-1622 APPLICATION SPEC: 114-19029	
MATERIAL: SEE SHEET 1		FINISH: SEE SHEET 1		SIZE: A1 CAGE CODE: 00779 DRAWING NO: 5646373 RESTRICTED TO: -	
		WEIGHT: -		CUSTOMER DRAWING SCALE: 4:1 SHEET 2 OF 2 REV B	