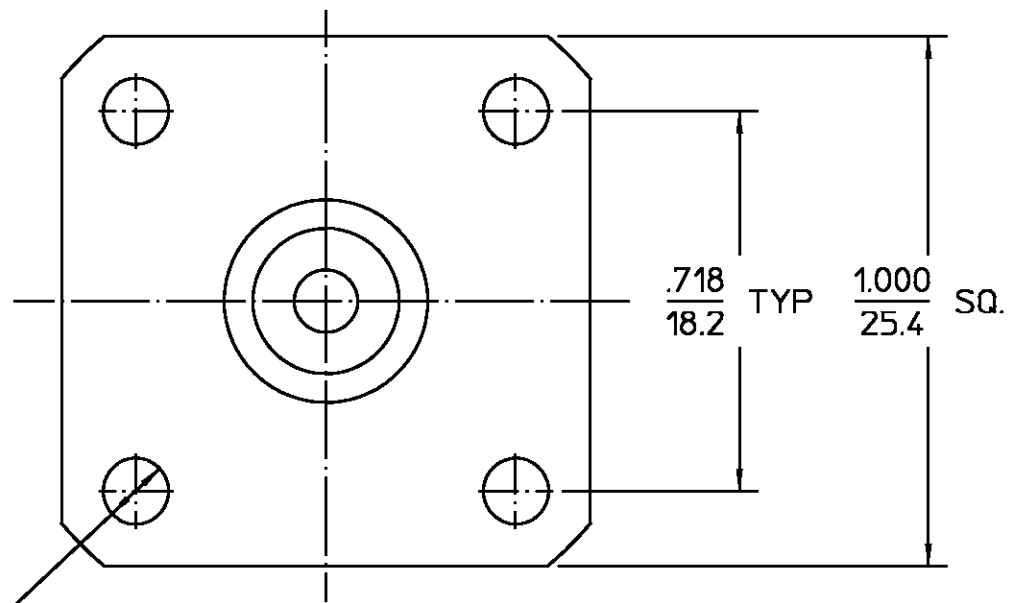
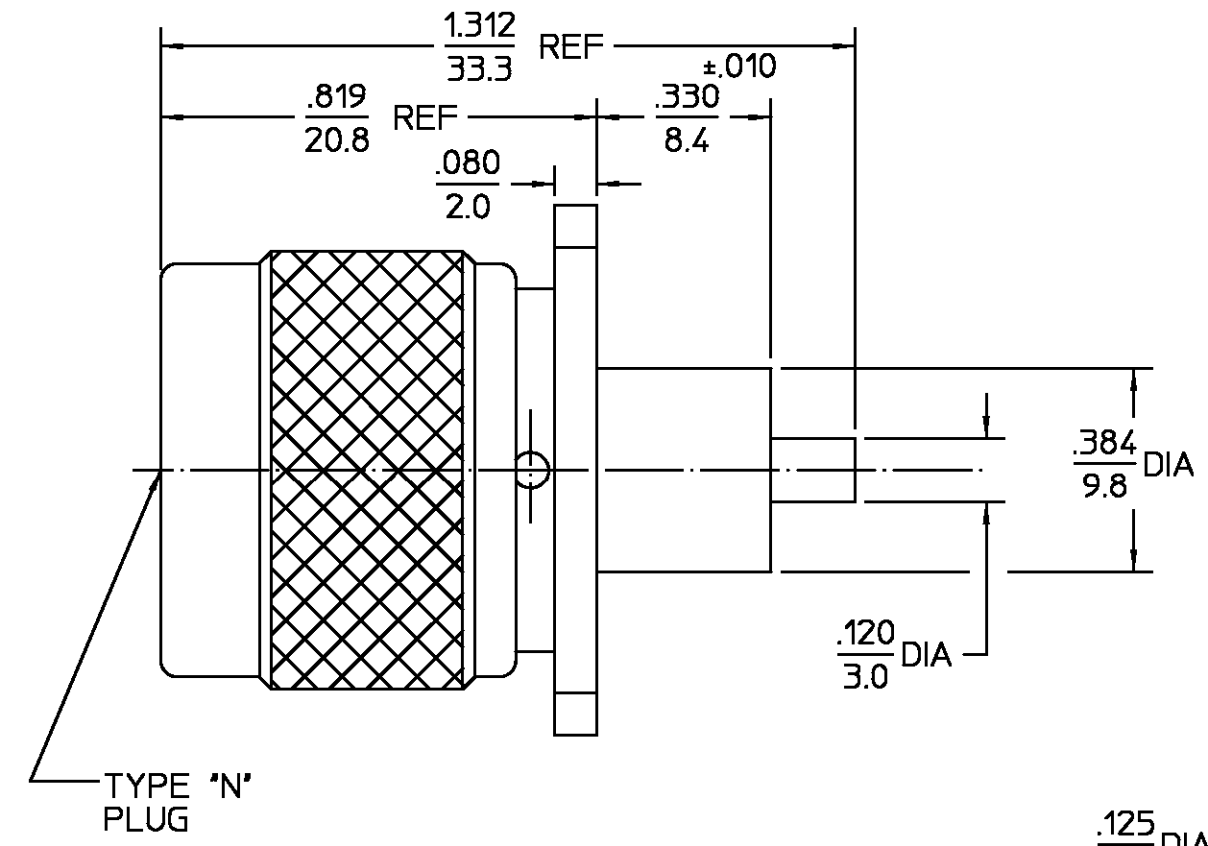


REVISIONS			
REV	DESCRIPTION	DATE	APPROVED
03 <sub>2</sub>	REVISED	DAC 3/22/99	<i>Tag</i> 3/21/99
B	PER EC 0U20-0615-00	20SEP01	<i>C. Hoang</i> 20SEP01



.125  
3.2  
DIA  
(4 PLCS)

HOUSING COUPLING NUT	BRASS PER ASTM-B-16 HALF HARD	NICKEL PLATE QQ-N-290
DIELECTRIC	TFE FLUOROCARBON PER ASTM-D-1457	N/A
CENTER CONTACT	BRASS PER ASTM-B-16, HALF HARD	GOLD PLATE PER MIL-G-45204
RETAINING RING	BERYLLIUM COPPER PER ASTM-B-194, ALLOY C17200, CONDITION H	N/A
GASKET	SILICONE RUBBER PER ZZ-R-765	N/A
COMPONENT	MATERIAL	FINISH

UNLESS OTHERWISE SPECIFIED DIMENSIONS ARE IN INCHES FRAC. ± 1/64 DEC. ± .005 ANGLES ± 1°	DRAWN BY R.M.L.	DATE 3/5/73	<b>AMP</b> AMP Incorporated 140 Fourth Avenue Waltham, MA 02451-7599
	CHECKED BY R.M.F.	3/5/73	
	APPD BY B.W.C.	3/5/73	

These drawings and specifications are the property of AMP Interconnect Div. and shall not be reproduced or copied or used in whole or in part as the basis for the manufacture or sale of item(s) without written permission.	USE ASSY PROCEDURE	TITLE TYPE N FLANGE MOUNT PLUG RECEPTACLE - STRAIGHT TERMINAL	
	NO. A.P. <u>N/A</u>	SIZE B	CODE IDENT NO. 26805
		SCALE 3:1	3051-1201-10
			SHEET 1 OF 1

NOTES:  
1. CAPTURED CENTER CONTACT

.XXX = in  
XX.X = mm

CUSTOMER DRAWING

AMP PART # 1057279-1  
SHEET 1 OF 1 REV B