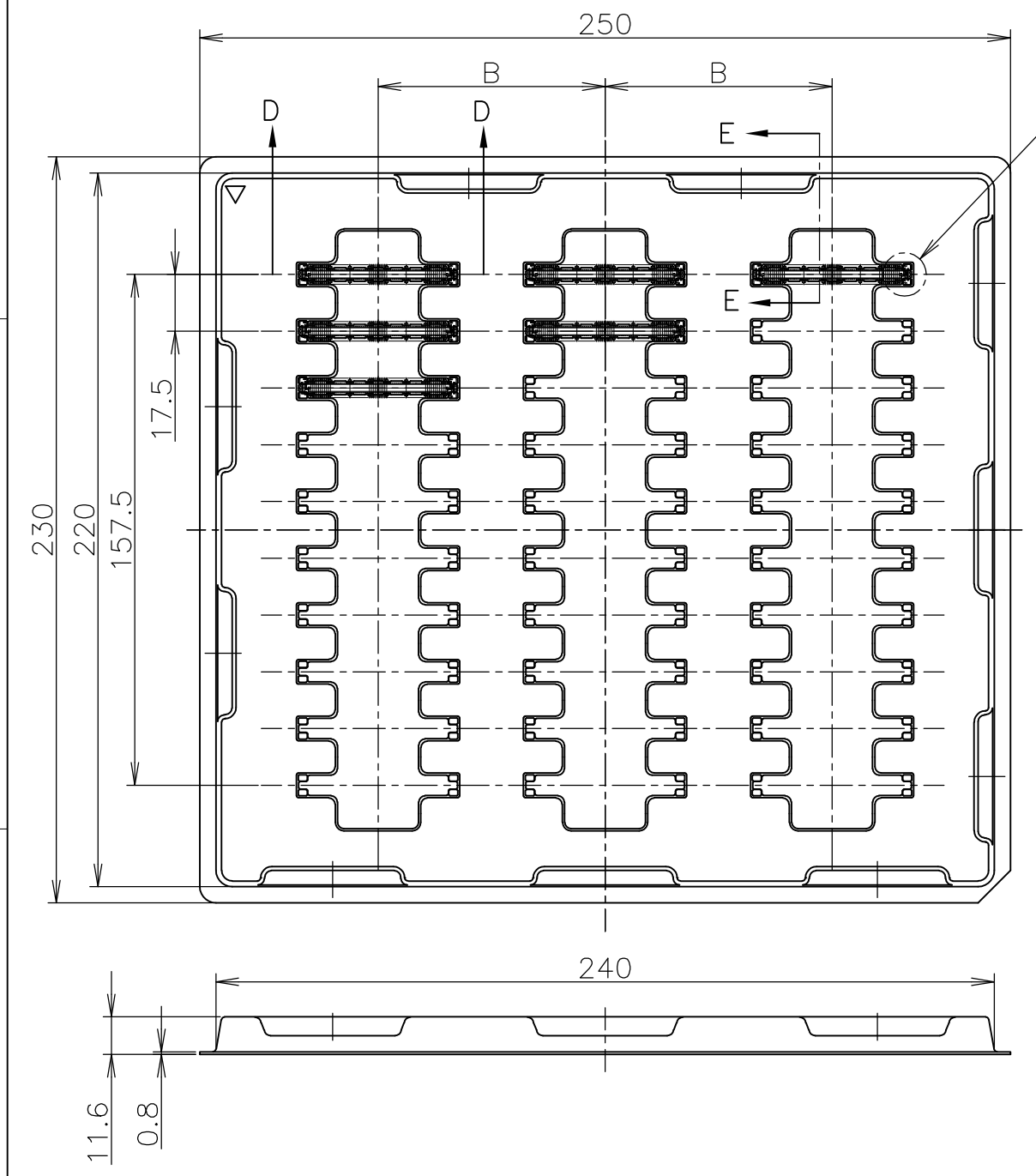


THIS DRAWING IS UNPUBLISHED. RELEASED FOR PUBLICATION MAY, 1995.
 © COPYRIGHT 1995 BY TYCO ELECTRONICS CORPORATION. ALL RIGHTS RESERVED.

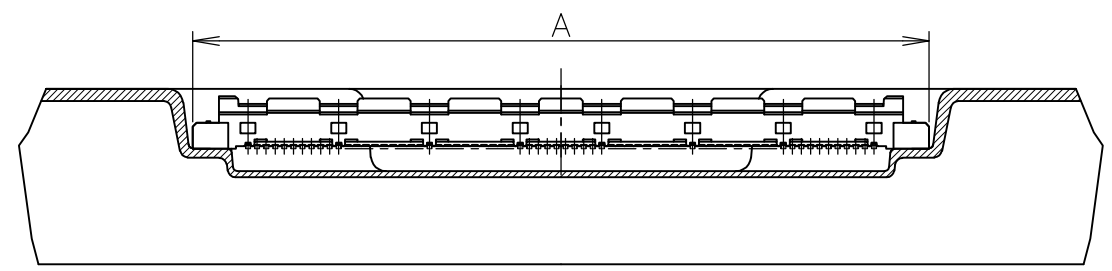
| LOC | DIST | REVISIONS | | | | | |
|-----|------|-----------|-----|---------------------------|---------|-----|------|
| J | | P | LTR | DESCRIPTION | DATE | DWN | APVD |
| | | | A | REVISED ECR-08-000339 | 01FEB08 | T.T | T.F |
| | | | B | REVISED PER ECO-17-002393 | 27MAY17 | B.J | S.Y |

AS SHOWN: TYPE-1

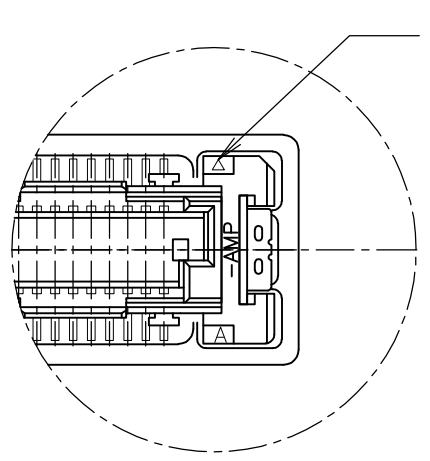
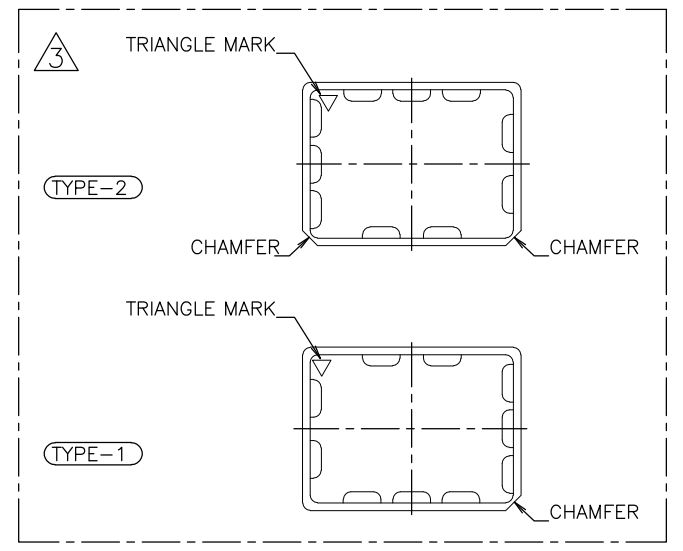


DETAIL C

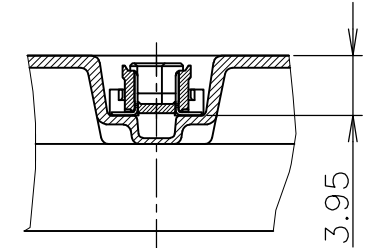
⚠ TRAY TYPE-1 AND TYPE-2 MUST BE
 PILED UP BY TURNS.
 (REFER TO PACKING SPECIFICATIONS)



D-D
(SCALE 2:1)



POSITION NO.1



E-E
(SCALE 2:1)

| SEALANT | TOOLING STATUS | ROW | QTY | B | A | POS. | TRAY P/N | PART NO. |
|---------|----------------|-----|-----|----|------|------|------------|-------------|
| ↑ | NOT AVAILABLE | 3 | 30 | 70 | 54.7 | 160 | 912063-9 | 6-5316135-1 |
| ↑ | ↑ | ↑ | ↑ | ↑ | 48.7 | 140 | 912063-8 | 6-↑ -0 |
| ↑ | ↑ | ↑ | ↑ | ↑ | 42.7 | 120 | 4-912065-9 | 5-↑ -9 |
| ↑ | ↑ | ↑ | ↑ | ↑ | 36.7 | 100 | 8-912066-2 | 5-↑ -8 |
| ↑ | ↑ | ↑ | ↑ | ↑ | 33.7 | 90 | 9-912066-6 | 5-↑ -7 |
| ↑ | ↑ | ↑ | ↑ | ↑ | 30.7 | 80 | 912067-3 | 5-↑ -6 |
| ↑ | ↑ | ↑ | ↑ | ↑ | 27.7 | 70 | 912063-1 | 5-↑ -5 |
| ↑ | ↑ | ↑ | ↑ | ↑ | 24.7 | 60 | 9-912066-5 | 5-↑ -4 |
| ↑ | ↑ | ↑ | ↑ | ↑ | 21.7 | 50 | 9-912062-9 | 5-↑ -3 |
| ↑ | ↑ | ↑ | ↑ | ↑ | 18.7 | 40 | 9-912066-4 | 5-↑ -2 |
| ↓ | NOT AVAILABLE | 5 | 50 | 43 | 15.7 | 30 | 9-912066-3 | 5-5316135-1 |
| ↓ | AVAILABLE | 3 | 30 | 70 | 54.7 | 160 | 912063-9 | 1-5316135-1 |
| ↓ | AVAILABLE | ↑ | ↑ | ↑ | 48.7 | 140 | 912063-8 | 1-↑ -0 |
| ↓ | NOT AVAILABLE | ↑ | ↑ | ↑ | 42.7 | 120 | 4-912065-9 | ↑ -9 |
| ↓ | ↑ | ↓ | ↓ | ↓ | 36.7 | 100 | 8-912066-2 | ↑ -8 |
| ↓ | ↑ | ↓ | ↓ | ↓ | 33.7 | 90 | 9-912066-6 | ↑ -7 |
| ↓ | NOT AVAILABLE | 5 | 50 | 43 | 30.7 | 80 | 912067-3 | ↑ -6 |
| ↓ | AVAILABLE | ↑ | ↑ | ↑ | 27.7 | 70 | 912063-1 | ↑ -5 |
| ↓ | NOT AVAILABLE | ↑ | ↑ | ↑ | 24.7 | 60 | 9-912066-5 | ↑ -4 |
| ↓ | AVAILABLE | ↓ | ↓ | ↓ | 21.7 | 50 | 9-912062-9 | ↑ -3 |
| ↓ | NOT AVAILABLE | ↓ | ↓ | ↓ | 18.7 | 40 | 9-912066-4 | ↑ -2 |
| ↓ | NOT AVAILABLE | 5 | 50 | 43 | 15.7 | 30 | 9-912066-3 | ↑ 5316135-1 |

THIS DRAWING IS A CONTROLLED DOCUMENT.

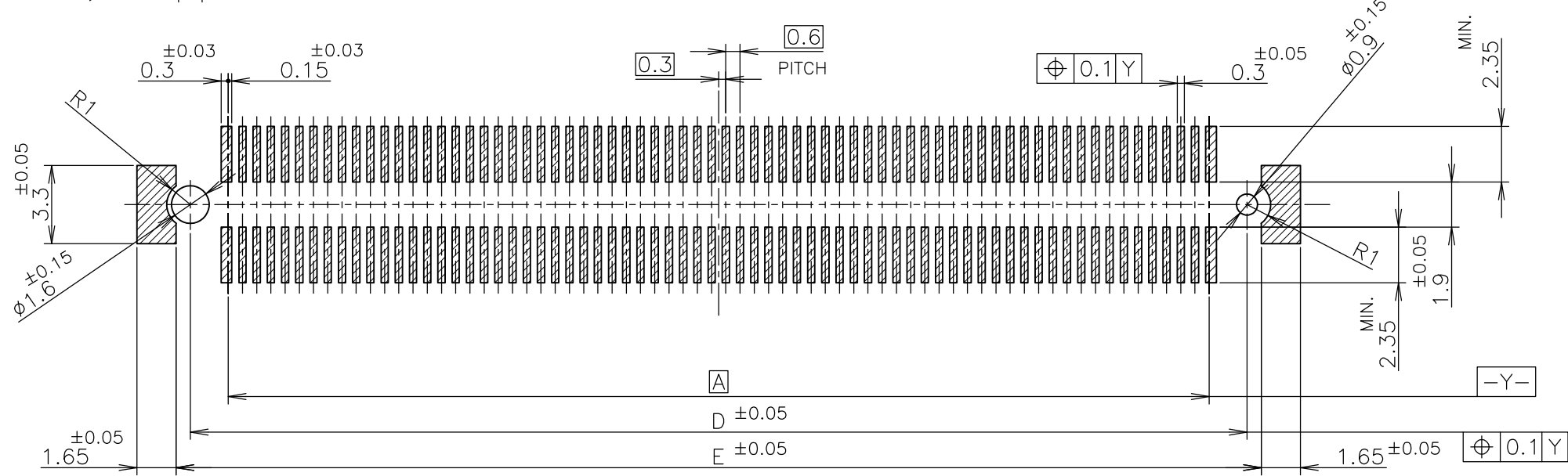
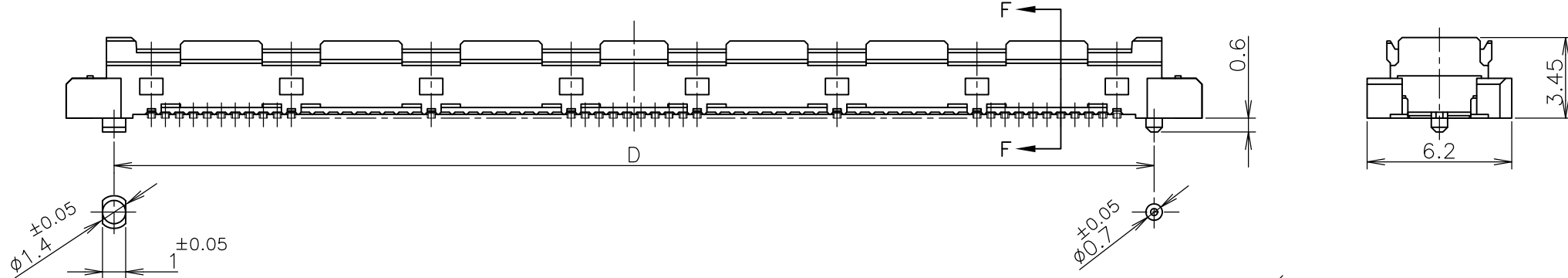
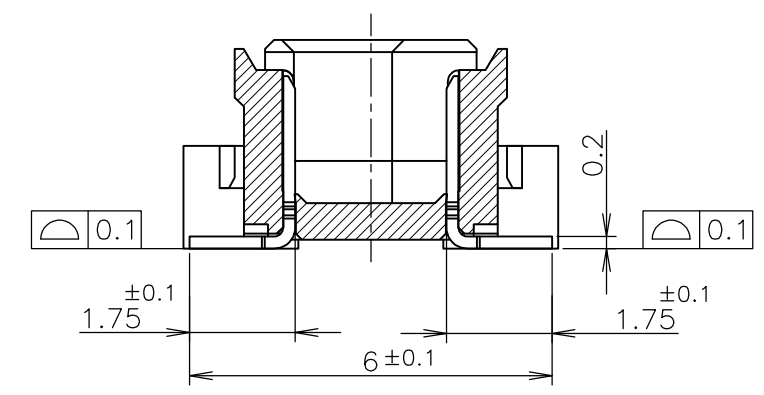
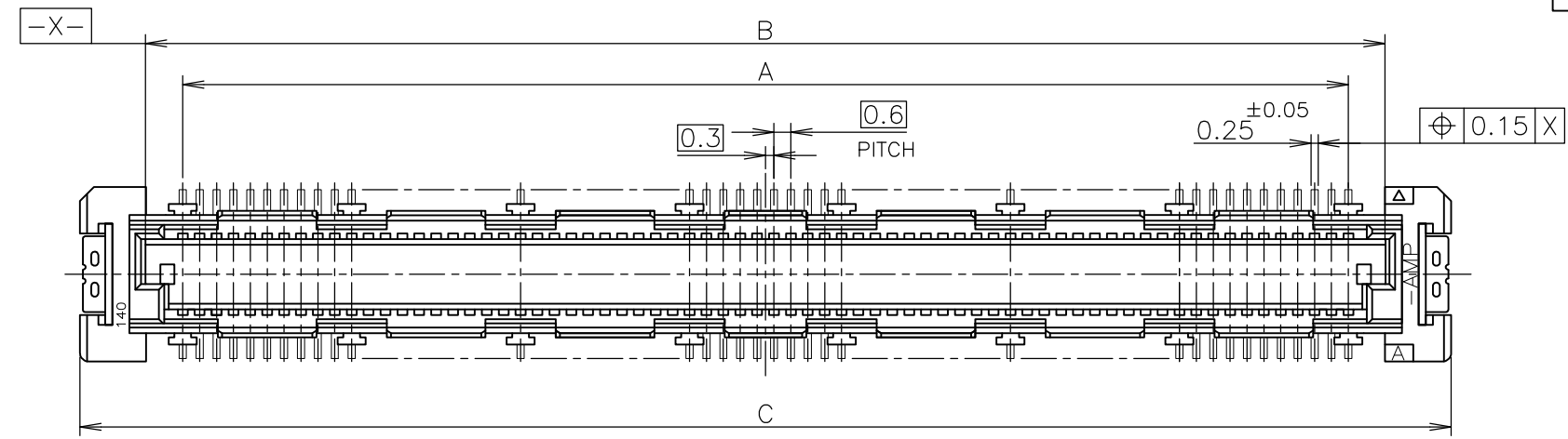
| | |
|--|---|
| DWN HAWKING HE 21DEC04 | Tyco Electronics Tyco Electronics Corporation Kawasaki, Japan |
| CHK STEVEN YAO 21DEC04 | |
| APVD I.ENOMOTO 21DEC04 | NAME 名称 |
| PRODUCT SPEC 製品規格 108-60047 | SOFT TRAY ASSY FH 0.6BTB CONNECTOR PLUG 4H STD |
| APPLICATION SPEC 取付適用規格 114-5255 | SIZE A3 |
| MATERIAL 材料 | CAGE CODE 00779 |
| FINISH 仕上 | DRAWING NO 番号 G-5316135 |
| WEIGHT | RESTRICTED TO |

CUSTOMER DRAWING

SCALE 1:2 SHEET 1 OF 2 REV B

THIS DRAWING IS UNPUBLISHED. RELEASED FOR PUBLICATION MAY, 1995.
 © COPYRIGHT 1995 BY TYCO ELECTRONICS CORPORATION. ALL RIGHTS RESERVED.

| LOC | DIST | REVISIONS | | |
|-----|------|-------------|-----|-------------|
| J | | P | LTR | DESCRIPTION |
| | | | | DATE |
| | | | | DWN |
| | | | | APVD |
| | | SEE SHEET 1 | | |



△ MATERIAL ; HOUSING : HIGH TEMP THERMO PLASTIC UL94V-0
 CONTACT : COPPER ALLOY
 △ FINISH ; UNDER PL Ni 0.0013mm MIN ALL OVER.
 CONTACTING AREA 0.0002 MIN Au PL.
 SOLDERING AREA 0.001 MIN TIN PL.

REFERENCE P.C.BOARD LAYOUT

| | | | | | | |
|----------------|------|------|------|----|------|-----|
| AVAILABLE | 51.8 | 50.6 | 54.7 | 50 | 47.4 | 160 |
| AVAILABLE | 45.8 | 44.6 | 48.7 | 44 | 41.4 | 140 |
| NOT AVAILABLE | 39.8 | 38.6 | 42.7 | 38 | 35.4 | 120 |
| AVAILABLE | 33.8 | 32.6 | 36.7 | 32 | 29.4 | 100 |
| NOT AVAILABLE | 30.8 | 29.6 | 33.7 | 29 | 26.4 | 90 |
| NOT AVAILABLE | 27.8 | 26.6 | 30.7 | 26 | 23.4 | 80 |
| AVAILABLE | 24.8 | 23.6 | 27.7 | 23 | 20.4 | 70 |
| AVAILABLE | 21.8 | 20.6 | 24.7 | 20 | 17.4 | 60 |
| AVAILABLE | 18.8 | 17.6 | 21.7 | 17 | 14.4 | 50 |
| NOT AVAILABLE | 15.8 | 14.6 | 18.7 | 14 | 11.4 | 40 |
| NOT AVAILABLE | 12.8 | 11.6 | 15.7 | 11 | 8.4 | 30 |
| TOOLING STATUS | E | D | C | B | A | POS |

| | | | | |
|---|--|-------------------------|--|---------------|
| THIS DRAWING IS A CONTROLLED DOCUMENT. | | DWN | Tyco Electronics Corporation Kawasaki, Japan | |
| DIMENSIONS: 単位: 耗 mm | | CHK | NAME 名称 | |
| TOLERANCES UNLESS OTHERWISE SPECIFIED: 一般公差 | | APVD | SOFT TRAY ASSY FH 0.6BTB CONNECTOR PLUG 4H STD | |
| 0 PLC ± 0.3 | | PRODUCT SPEC 製品規格 | SIZE | CAGE CODE |
| 1 PLC ± 0.3 | | APPLICATION SPEC 取付適用規格 | A3 | 00779 |
| 2 PLC ± 0.3 | | WEIGHT | DRAWING NO 番号 | RESTRICTED TO |
| 3 PLC ± 0.3 | | CUSTOMER DRAWING | G-5316135 | |
| 4 PLC ± 0.3 | | | SCALE 尺度 4:1 | SHEET 2 OF 2 |
| ANGLES ± 3' | | | REV B | |
| FINISH 仕上 | | | | |