

1747047-1 ✓ ACTIVE



GRACE INERTIA 6.5

TE Internal #: 1747047-1

Rectangular Power Connectors, Housing, Plug, Wire-to-Board, 3 Position, 6.5 mm [.255 in] Centerline, Wire & Cable, UL 94V-0, GRACE INERTIA 6.5

[View on TE.com >](#)

Connectors > Power Connectors > Rectangular Power > Rectangular Power Connectors > Glow Wire GRACE INERTIA Plug



Rectangular Power Connector Type: **Housing**

Connector & Housing Type: **Plug**

Connector System: **Wire-to-Board**

Number of Positions: **3**

Centerline (Pitch): **6.5 mm [.255 in]**

[All Glow Wire GRACE INERTIA Plug \(78\)](#)

Features

Product Type Features

Rectangular Power Connector Type	Housing
Connector & Housing Type	Plug
Connector System	Wire-to-Board
Sealable	No
Connector & Contact Terminates To	Wire & Cable

Configuration Features

Number of Positions	3
Number of Power Positions	3
Number of Signal Positions	3
Number of Rows	1

Electrical Characteristics

Operating Voltage	300 VDC
-------------------	---------



Body Features

Connector & Keying Code	A
-------------------------	---

Contact Features

Contact Layout	Inline
Contact Mating Area Plating Material	Tin
Contact Base Material	Copper Alloy
Contact Current Rating (Max)	9 A
Contact Retention Within Housing	With
Contact Type	Receptacle
Contact Mating Area Plating Material Thickness	.8 μ m[31.5 μ in]

Termination Features

Termination Method to Wire & Cable	Crimp
------------------------------------	-------

Mechanical Attachment

Strain Relief	Without
Mating Alignment Type	Keyed
Mating Retention	With
Mating Alignment	With
Panel Mount Feature	Without
PCB Mount Retention	Without
Mating Retention Type	Inertia Locking, Latch
Connector Mounting Type	Cable Mount (Free-Hanging)

Housing Features

Centerline (Pitch)	6.5 mm[.255 in]
Housing Color	Natural
Housing Material	Nylon 6/6 GF

Dimensions

Connector Height	9.5 mm[.373 in]
Product Length	18.6 mm[.731 in]
Wire Size	434.18 – 2723.46 CMA

Usage Conditions

Operating Temperature Range	-30 – 105 °C[-22 – 221 °F]
-----------------------------	----------------------------

Operation/Application



Circuit Application	Power & Signal
---------------------	----------------

Industry Standards

UL Flammability Rating	UL 94V-0
Glow Wire Rating	GWT 750°C (Without Flame)

Packaging Features

Packaging Quantity	1000
Packaging Method	Bag

Product Compliance

[For compliance documentation, visit the product page on TE.com>](#)

EU RoHS Directive 2011/65/EU	Compliant
EU ELV Directive 2000/53/EC	Compliant
China RoHS 2 Directive MIIT Order No 32, 2016	No Restricted Materials Above Threshold
EU REACH Regulation (EC) No. 1907/2006	Current ECHA Candidate List: JUNE 2023 (235) Candidate List Declared Against: JAN 2023 (233) Does not contain REACH SVHC
Halogen Content	Not Low Halogen - contains Br or Cl > 900 ppm.
Solder Process Capability	Not applicable for solder process capability

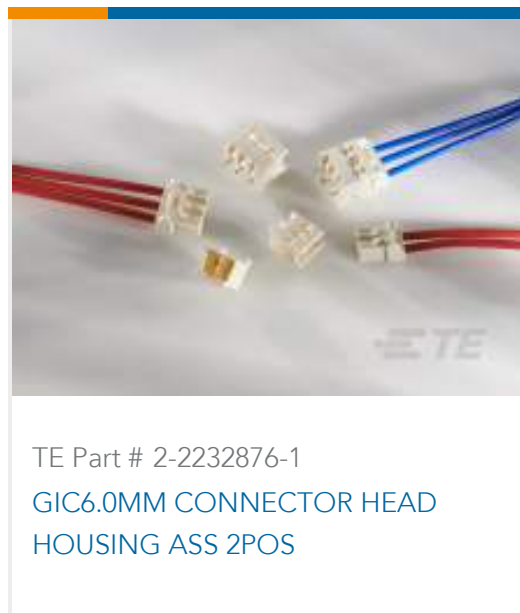
Product Compliance Disclaimer

This information is provided based on reasonable inquiry of our suppliers and represents our current actual knowledge based on the information they provided. This information is subject to change. The part numbers that TE has identified as EU RoHS compliant have a maximum concentration of 0.1% by weight in homogenous materials for lead, hexavalent chromium, mercury, PBB, PBDE, DBP, BBP, DEHP, DIBP, and 0.01% for cadmium, or qualify for an exemption to these limits as defined in the Annexes of Directive 2011/65/EU (RoHS2). Finished electrical and electronic equipment products will be CE marked as required by Directive 2011/65/EU. Components may not be CE marked. Additionally, the part numbers that TE has identified as EU ELV compliant have a maximum concentration of 0.1% by weight in homogenous materials for lead, hexavalent chromium, and mercury, and 0.01% for cadmium, or qualify for an exemption to these limits as defined in the Annexes of Directive 2000/53/EC (ELV). Regarding the REACH Regulation, the information TE provides on SVHC in articles for this part number is based on the latest European Chemicals Agency (ECHA) 'Guidance on requirements for substances in articles' posted at this URL: <https://echa.europa.eu/guidance-documents/guidance-on-reach>

Compatible Parts



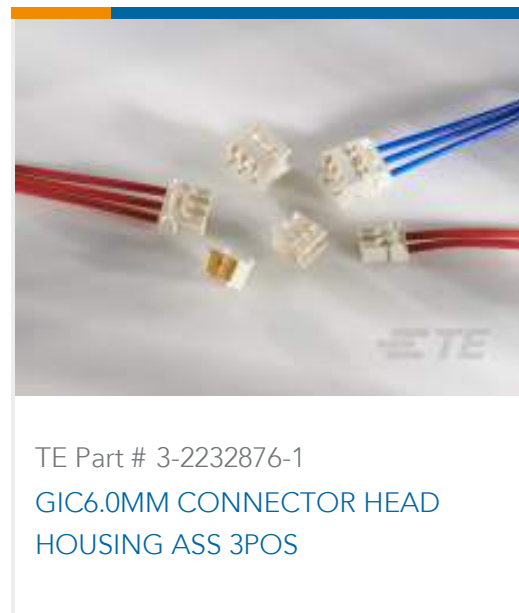
TE Part # CAT-G7534-P729A
Glow Wire GRACE INERTIA Plug



TE Part # 2-2232876-1
GIC6.0MM CONNECTOR HEAD HOUSING ASS 2POS



TE Part # 1376347-1
5MM POWER KEY CONN REC CONT L



TE Part # 3-2232876-1
GIC6.0MM CONNECTOR HEAD HOUSING ASS 3POS



TE Part # 1747049-1
GRACE INERTIA CONNECTOR 6.5 3POS HEADER



TE Part # 1376348-1
5MM POWER KEY CONN REC CONT M



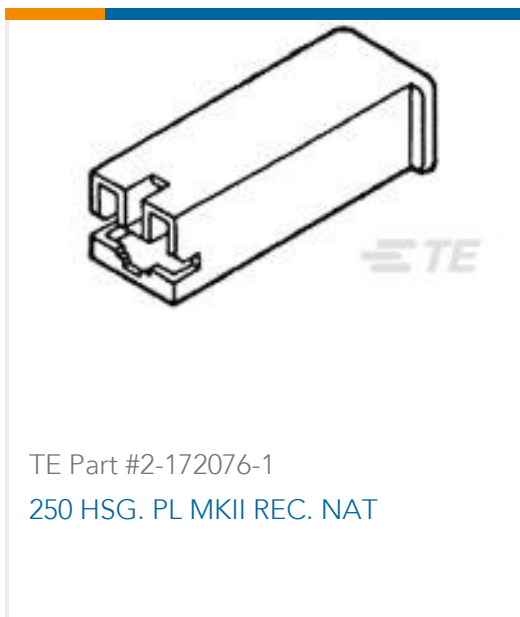
TE Part # 1376348-2
5MM POWER KEY CONN REC CONT M

Also in the Series | GRACE INERTIA 6.5



Rectangular Power Connectors(2)

Customers Also Bought



TE Part #2-172076-1
250 HSG. PL MKII REC. NAT



TE Part #179973-1
250 PL EX REC. 22-18AWG PTBR



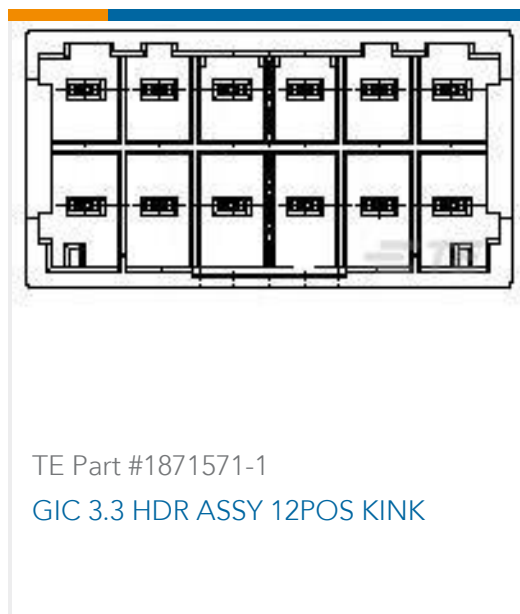
TE Part #179838-2
AMP POWER D/LOCK T/HDR ASSY 2P



TE Part #1747995-1
GHC EYELET 6.2 3POS PLUG HOUSING NATURAL



TE Part #1376348-1
5MM POWER KEY CONN REC CONT M



TE Part #1871571-1
GIC 3.3 HDR ASSY 12POS KINK

Documents

Product Drawings

GRACE INERTIA CONNECTOR 6.5 3POS PLUG HO

English

CAD Files

Customer View Model

[ENG_CVM_CVM_1747047-1_E.2d_dxf.zip](#)

English

3D PDF

3D

Customer View Model

[ENG_CVM_CVM_1747047-1_E.3d_igs.zip](#)

English

Customer View Model

[ENG_CVM_CVM_1747047-1_E.3d_stp.zip](#)

English

By downloading the CAD file I accept and agree to the [Terms and Conditions](#) of use.

Datasheets & Catalog Pages

1-1773883-5 GRACE INERTIA connector quick reference guide

English

Product Specifications

5.0 POWER KEY CONNECTOR

Japanese

Application Specification

Japanese

Product Environmental Compliance

[MD_1747047-1_053120182359_dmtec](#)

English

[MD_1747047-1_053120182359_dmtec](#)

English