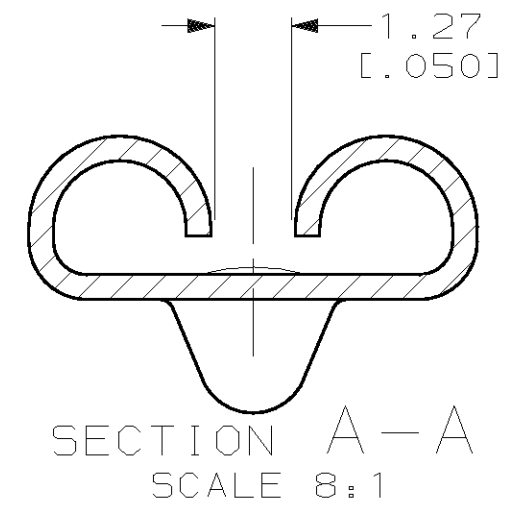
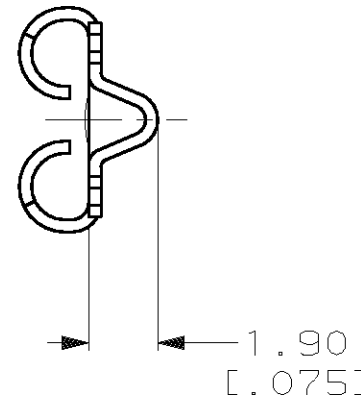
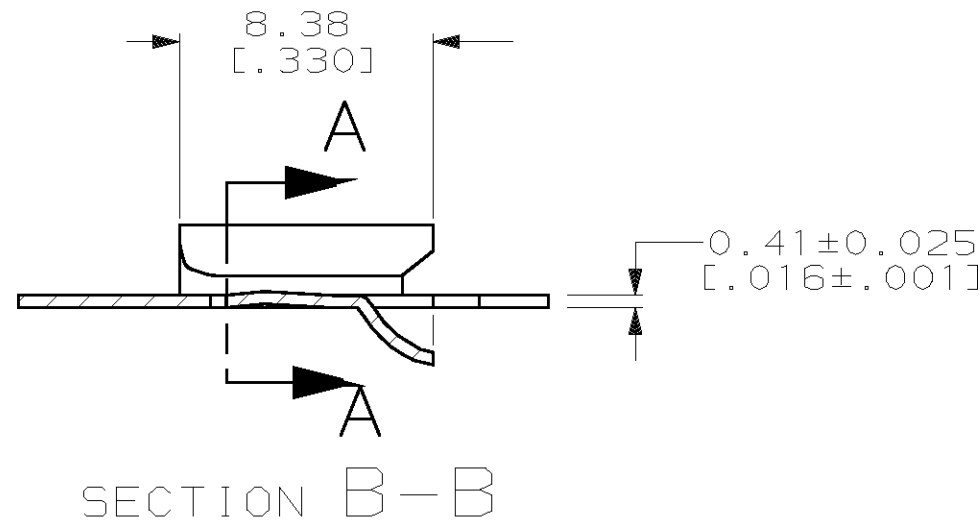
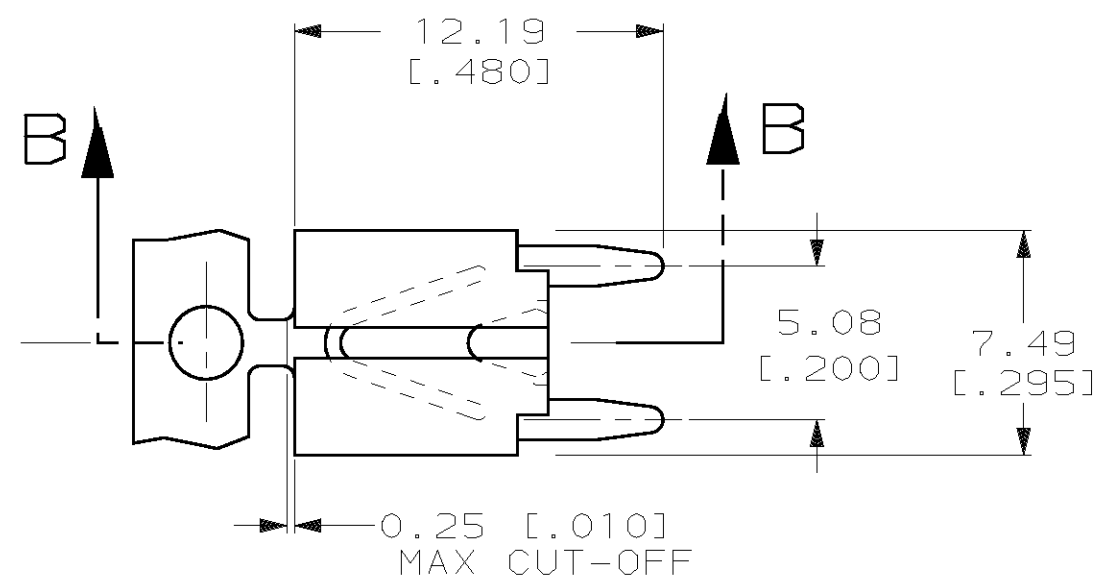
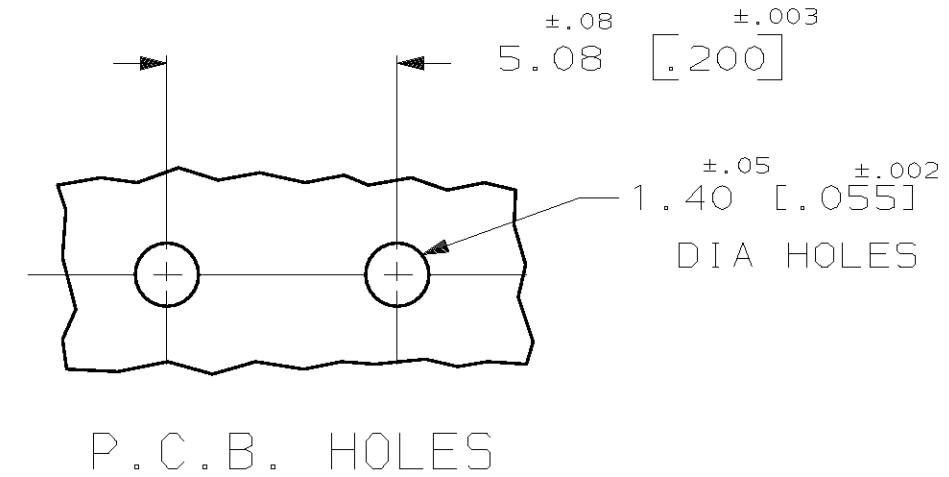


THIS DRAWING IS UNPUBLISHED. RELEASED FOR PUBLICATION, 19  
 © COPYRIGHT 19 BY AMP INCORPORATED. ALL INTERNATIONAL RIGHTS RESERVED.

LOC	DIST	P	F	ZONE	LTR	DESCRIPTION	DATE	APPD
AF	50				C	REV PER 061A-0131-98	5/13/98	JR/JW



- 1 CONTINUOUS STRIP ON REELS.
- 2 0.00254 [.000100] MIN THK TIN OVER 0.00127 [.000050] MIN NICKEL.
- 3 MATING TAB THK IS 0.81±0.025 [.032±.001].



63968-1  
PART NO

DO NOT SCALE PRINT. UNLESS SPECIFIED DIMENSIONS IN mm [INCHES] TOLERANCES ON: 2 PLC DEC ± 0.25 [.010] 3 PLC DEC ± - ANGLES ± -	DR 2/18/97 JR RUTH	<b>AMP</b> AMP Incorporated Harrisburg, PA 17105-3608
	CHK 2/18/97 MS FEHER	
MATERIAL H04 BRASS	APPD 2/18/97 P DESANTIS	NAME RECEPTACLE, L.I.F. FASTON™ 6.35/5.21 [.250/.205] SERIES, PC BOARD MOUNTED
FINISH TIN OVER NICKEL	APPD 2/18/97 V KARABCIEVSCHY	SIZE <b>B</b> CAGE CODE 00779 DRAWING NO <b>C</b> -63968
	PRODUCT SPEC -	SCALE 4:1 SHEET 1 OF 1
	APPLICATION SPEC -	
	WEIGHT -	

THIS DRAWING IS A CONTROLLED DOCUMENT FOR AMP INCORPORATED. IT IS SUBJECT TO CHANGE AND THE CONTROLLING ENGINEERING ORGANIZATION SHOULD BE CONTACTED FOR THE LATEST REVISION.