

MATERIALS AND FINISHES

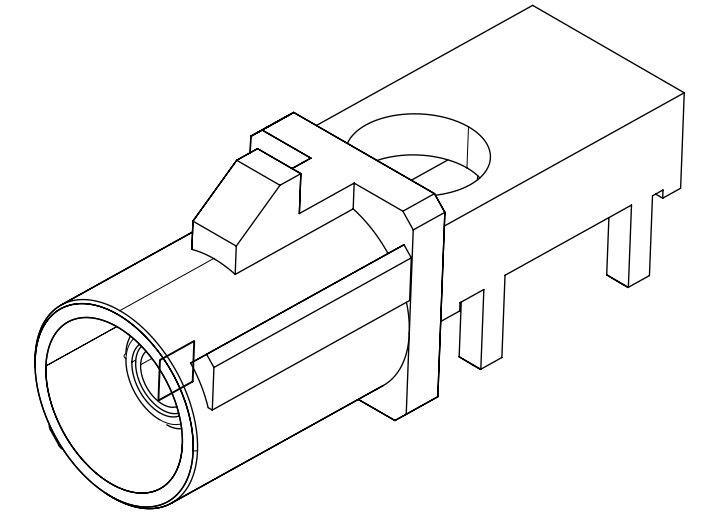
BODY, ZINC ALLOY/BRASS  
PLATED TIN

CENTER CONTACT, BRASS  
PLATED GOLD

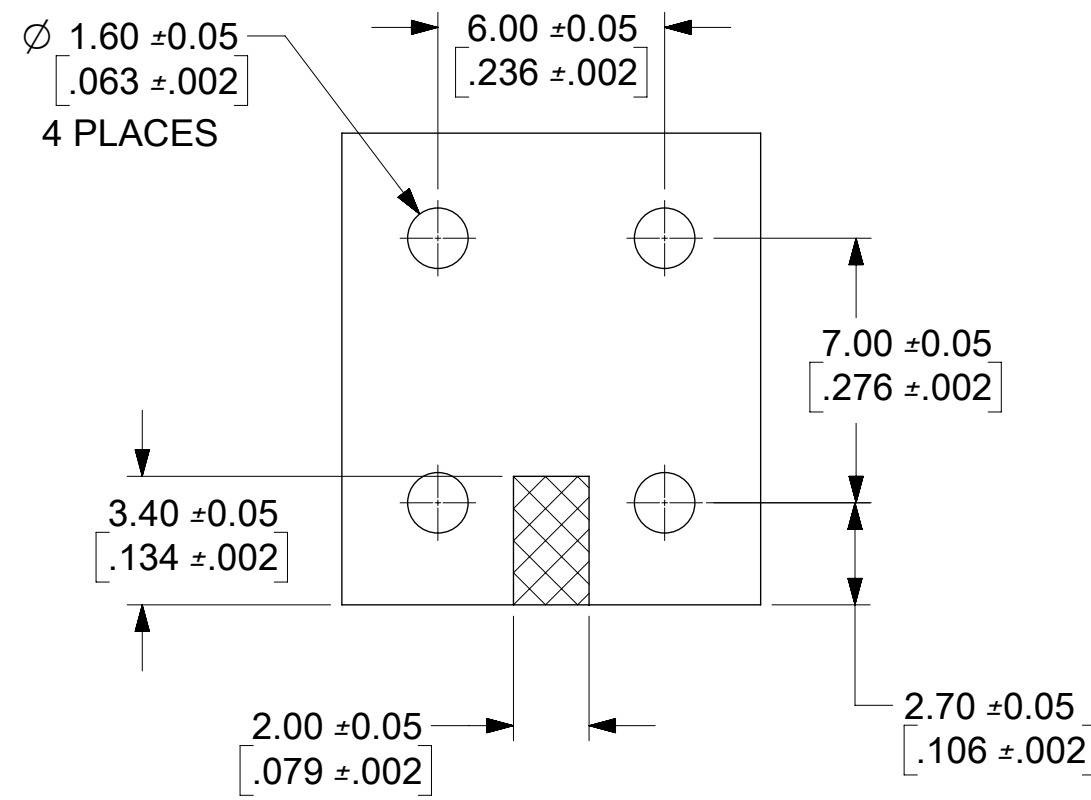
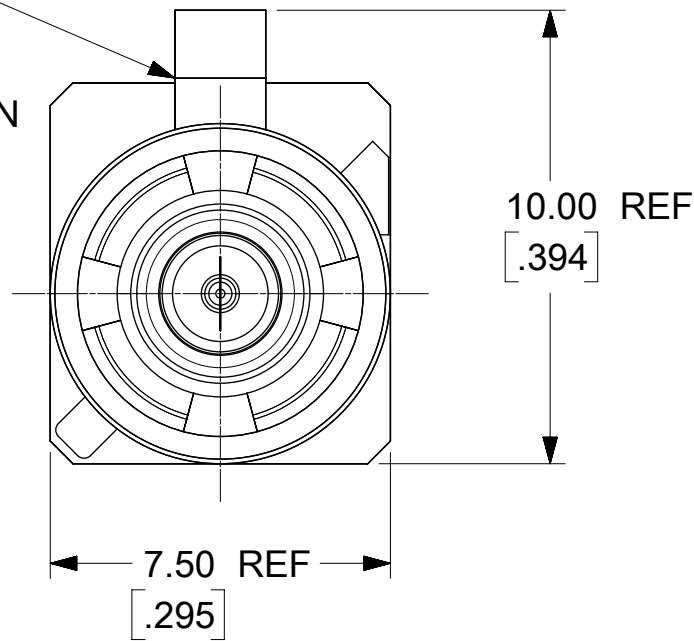
OUTER CASING, HIGH TEMPERATURE PLASTIC  
KEYING SEE TABLE  
COLOR SEE TABLE

INSULATOR, TEFLON

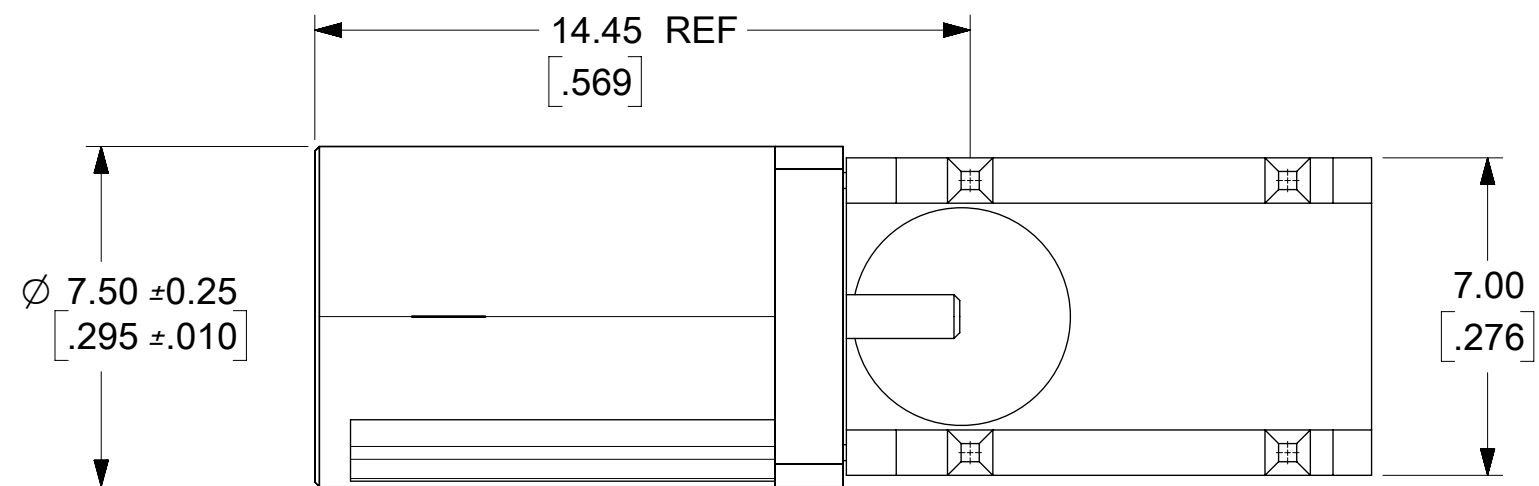
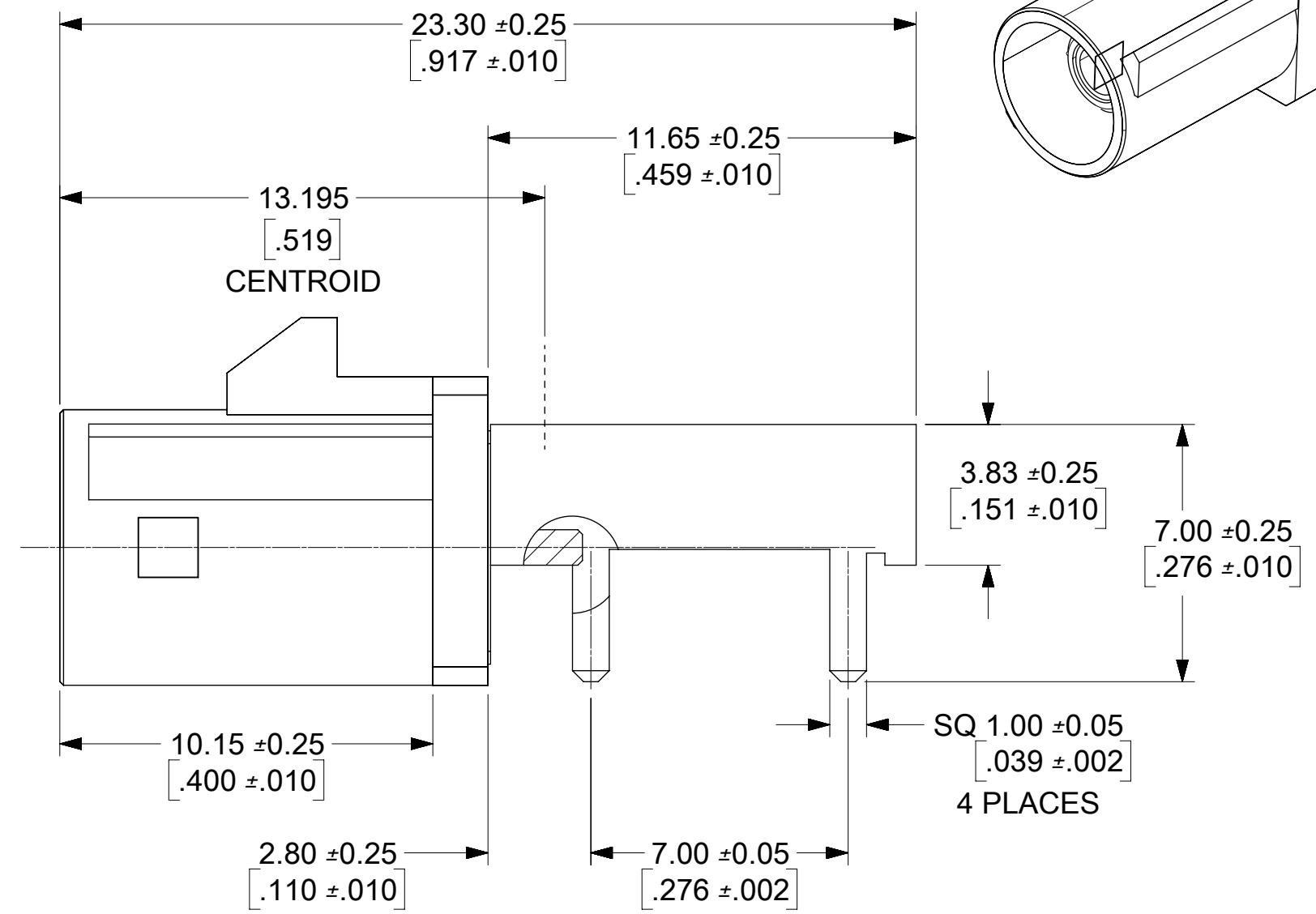
PACKAGING BY TAPE AND REEL



FAKRA  
CONNECTOR  
KEYING  
CODE I SHOWN



PCB RECOMMENDED LAYOUT



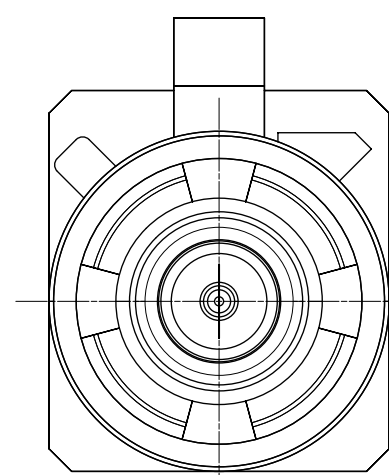
EST. WEIGHT (g): 2.052

PS-89675-3310	PRODUCT SPECIFICATION
DIN 72594-1	INTERFACE SPECIFICATION
SPECIFICATION	DESCRIPTION

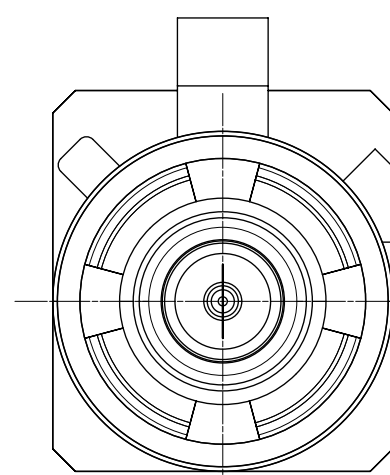
2017/11/01	A3	TYP0 2.70 WAS 2.30 PER 11522-A
2017/09/04	A2	MIGRATION TO ECTR/NX
DATE	REV.	DESCRIPTION

QUALITY SYMBOLS	THIS DRAWING CONTAINS INFORMATION THAT IS PROPRIETARY TO MOLEX ELECTRONIC TECHNOLOGIES, LLC AND SHOULD NOT BE USED WITHOUT WRITTEN PERMISSION		GENERAL TOLERANCES (UNLESS SPECIFIED)		DIMENSION UNITS	SCALE	<b>molex</b>
	▽ = 0	▽ = 0	▽ = 0	▽ = 0	MM/IN	NTS	
▽ = 0	▽ = 0	▽ = 0	▽ = 0	▽ = 0	DRWN BY	DATE	SMB JACK FAKRA 50 OHMS PIN IN PASTE FAKRA-J/PCB
▽ = 0	▽ = 0	▽ = 0	▽ = 0	▽ = 0	ELIN	2012/06/26	
▽ = 0	▽ = 0	▽ = 0	▽ = 0	▽ = 0	CHKD BY	DATE	PRODUCT CUSTOMER DRAWING
▽ = 0	▽ = 0	▽ = 0	▽ = 0	▽ = 0	KERRIE	2012/06/26	
▽ = 0	▽ = 0	▽ = 0	▽ = 0	▽ = 0	APPR BY	DATE	SERIES MATERIAL NUMBER CUSTOMER
▽ = 0	▽ = 0	▽ = 0	▽ = 0	▽ = 0	YCHENG	2014/07/17	
▽ = 0	▽ = 0	▽ = 0	▽ = 0	▽ = 0	DRAWING SIZE	THIRD ANGLE PROJECTION	DOCUMENT NUMBER DOC TYPE DOC PART SHEET NUMBER
▽ = 0	▽ = 0	▽ = 0	▽ = 0	▽ = 0	C	73403 SEE TABLE GENERAL MARKET	
▽ = 0	▽ = 0	▽ = 0	▽ = 0	▽ = 0	DRAFT WHERE APPLICABLE MUST REMAIN WITHIN DIMENSIONS		SD-73403-608 PSD 001 1 OF 5

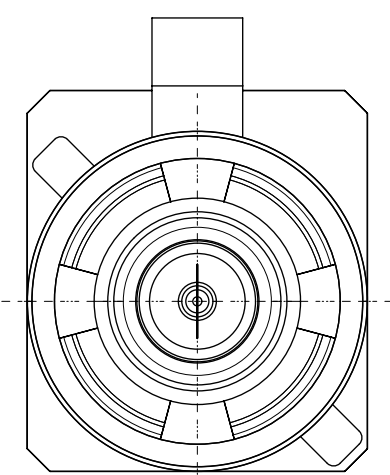
N	PASTEL GREEN	73403-6093
M	PASTEL ORANGE	73403-6092
L	CARMINE RED	73403-6091
Z	WATER BLUE	73403-6090
K	CURRY YELLOW	73403-6089
I	BEIGE	73403-6088
H	VIOLET	73403-6087
G	GRAY	73403-6086
F	BROWN	73403-6085
E	GREEN	73403-6084
D	BORDEAUXVIOLET	73403-6083
C	BLUE	73403-6082
B	NATURAL	73403-6081
A	BLACK	73403-6080
KEYING CODE	COLOR	PART NO.



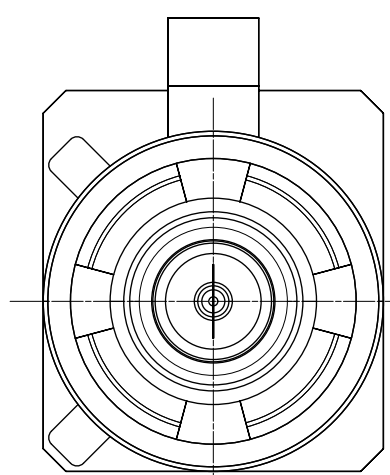
CODE-A



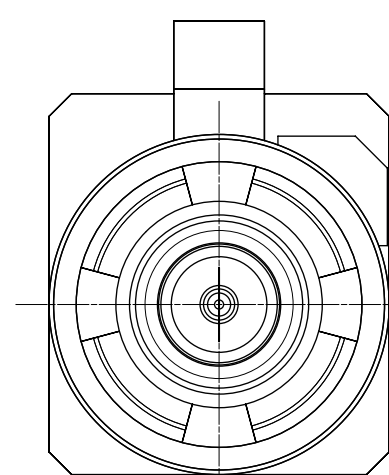
CODE-B



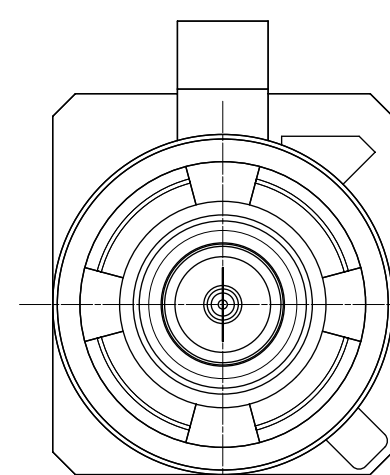
CODE-C



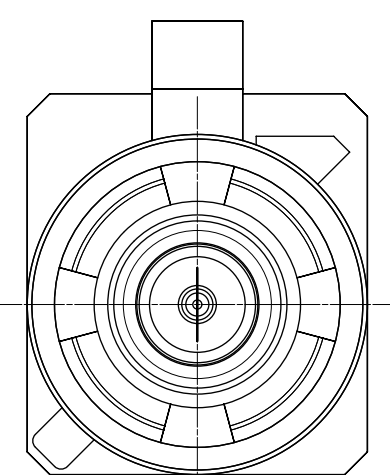
CODE-D



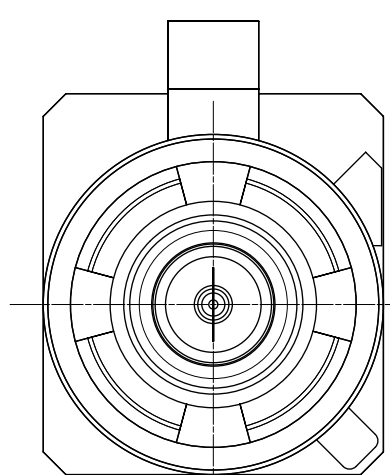
CODE-E



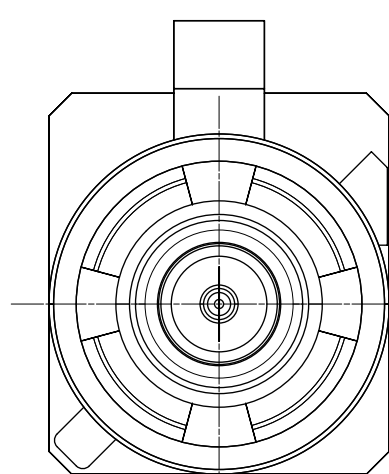
CODE-F



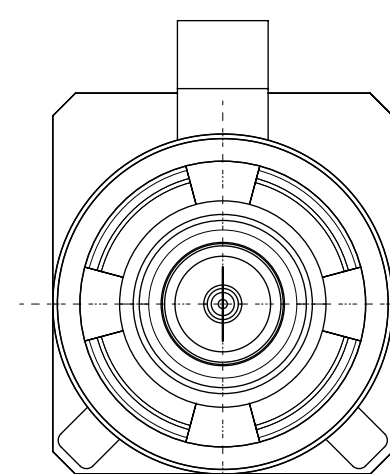
CODE-G



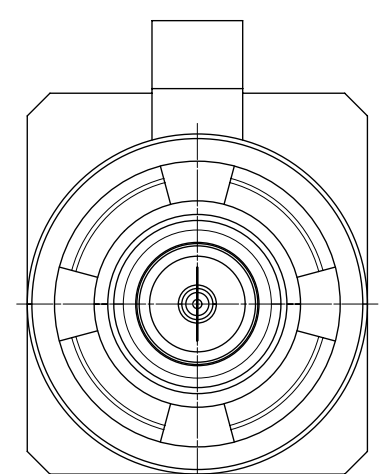
CODE-H



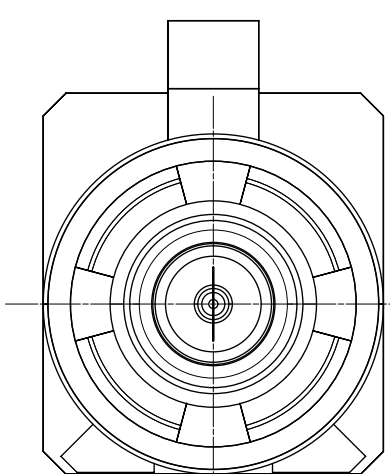
CODE-I



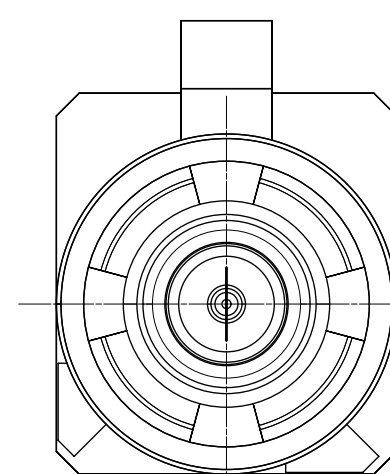
CODE-K



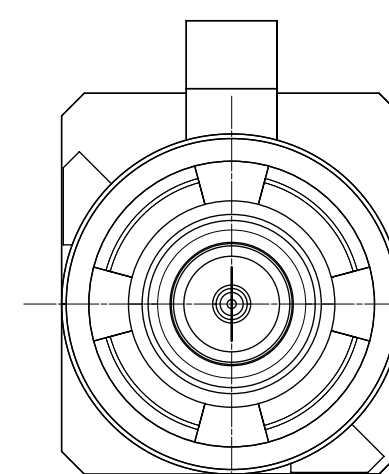
CODE-Z



CODE-L



CODE-M



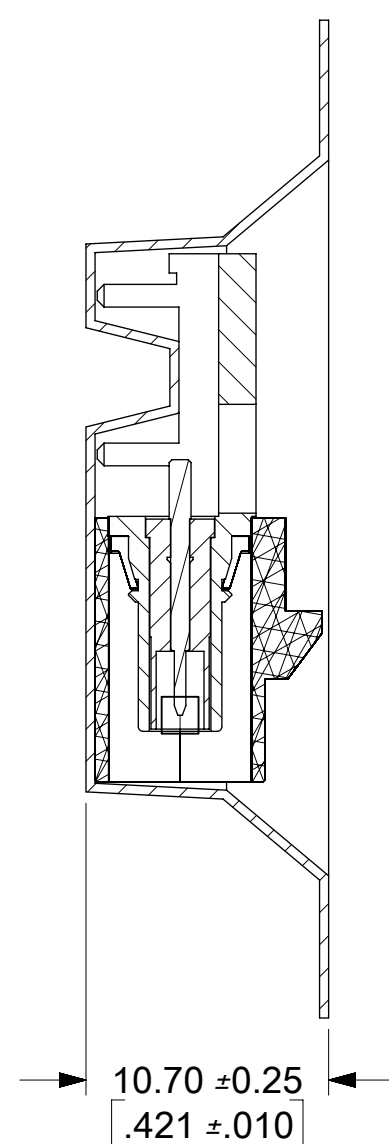
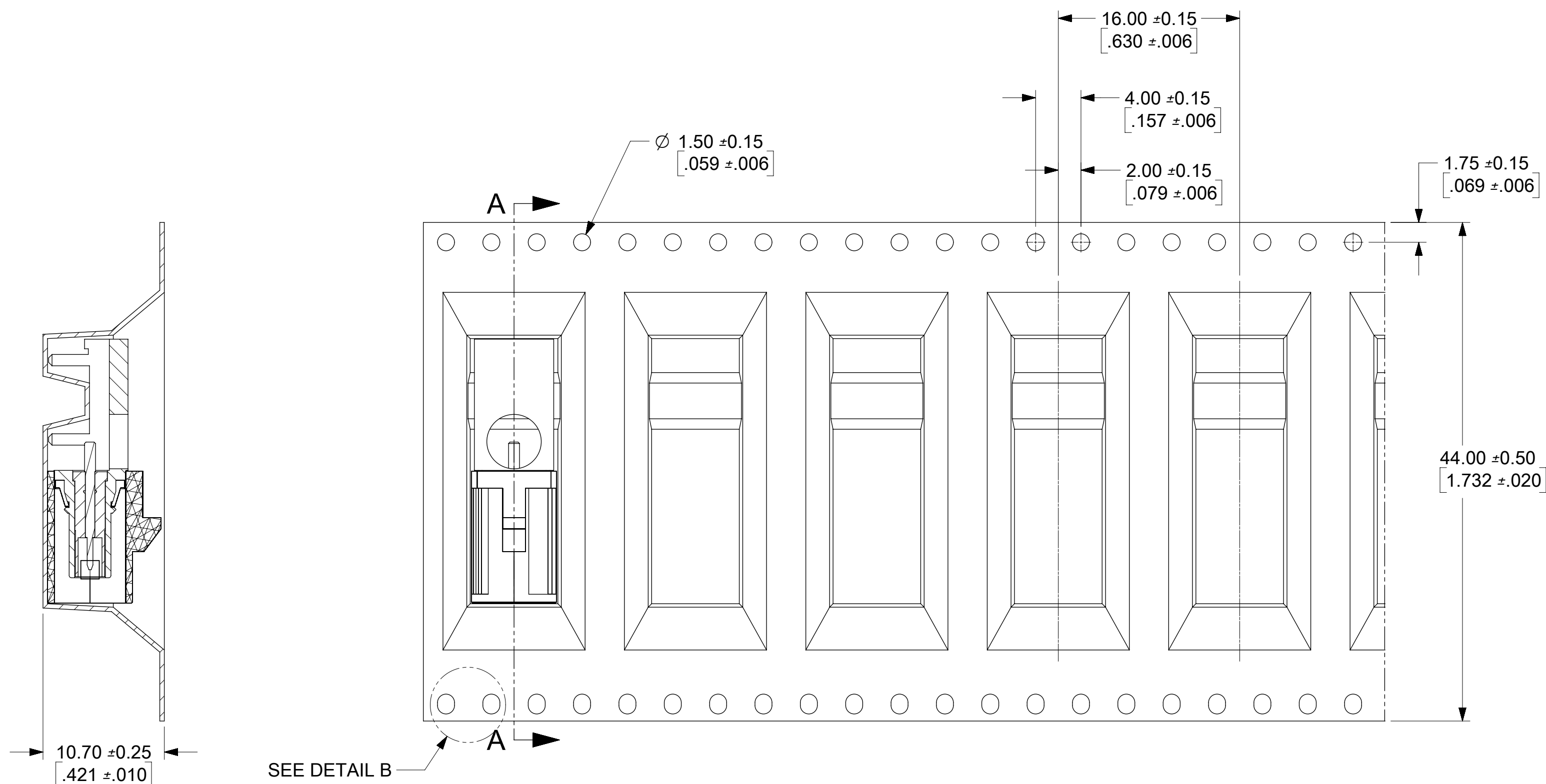
CODE-N

QUALITY SYMBOLS ▽ = 0 ▽ = 0 ▽ = 0 ▼ = 0 ▽ = 0 ⊠ = 0 ■ = 0 ▽ = 0	THIS DRAWING CONTAINS INFORMATION THAT IS PROPRIETARY TO MOLEX ELECTRONIC TECHNOLOGIES, LLC AND SHOULD NOT BE USED WITHOUT WRITTEN PERMISSION											
	MIGRATED TO ECTRIX EC NO: 167544 DRWN: ELIN CHKD: YCHENG				2017/11/08		2017/11/15		GENERAL TOLERANCES (UNLESS SPECIFIED)		DIMENSION UNITS	
	ANGULAR TOL ± 2.0 °				4 PLACES ±		3 PLACES ±		2 PLACES ±		1 PLACE ±	
	0 PLACES ±				DRAFT WHERE APPLICABLE MUST REMAIN WITHIN DIMENSIONS		C		THIRD ANGLE PROJECTION		DRAWING SIZE	
	DRWN BY: ELIN				DATE: 2012/06/26		CHKD BY: KERRIE		DATE: 2012/06/26		APPR BY: YCHENG	
	DATE: 2012/06/26				DATE: 2014/07/17		SCALE: NTS		SCALE: NTS		SCALE: NTS	
	SERIES: 73403				MATERIAL NUMBER: SEE TABLE				CUSTOMER: GENERAL MARKET			
	DOCUMENT NUMBER: SD-73403-608				DOC TYPE: PSD				DOC PART: 001			
	SHEET NUMBER: 2 OF 5											

**molex**

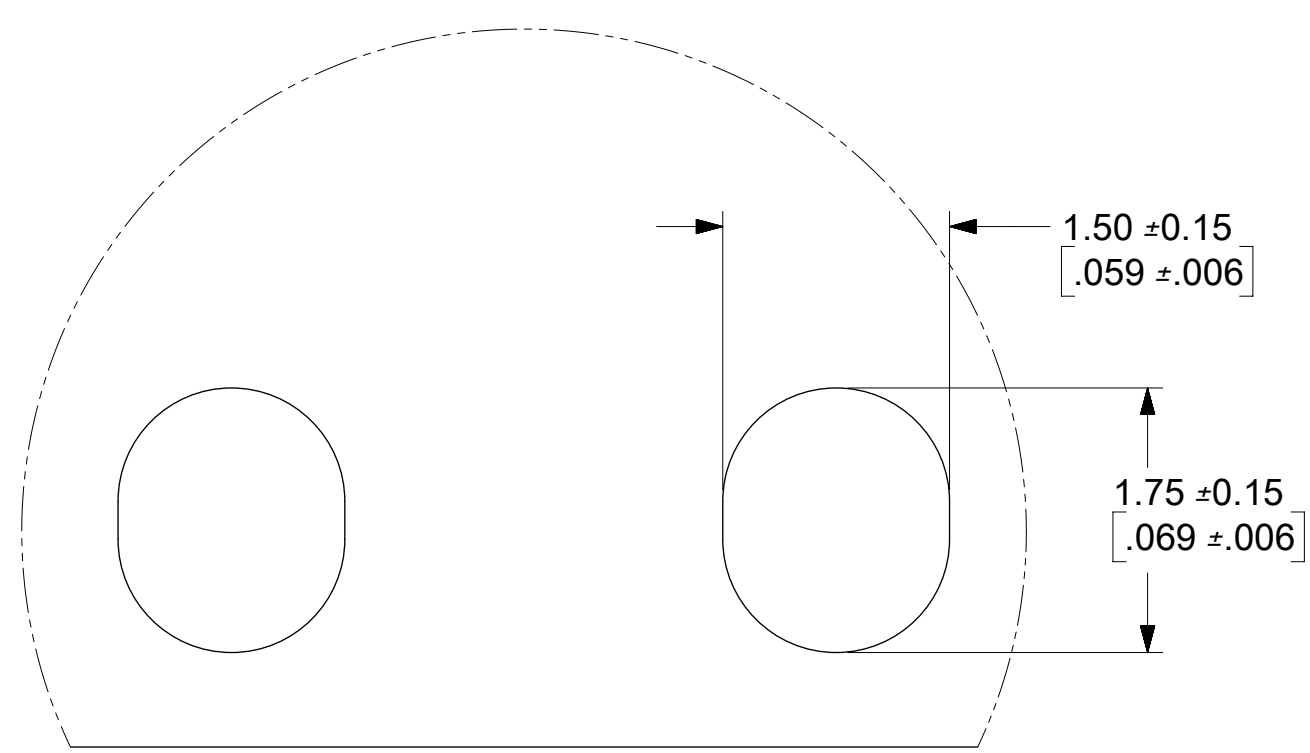
SMB JACK FAKRA 50 OHMS  
PIN IN PASTE FAKRA-J/PCB

PRODUCT CUSTOMER DRAWING



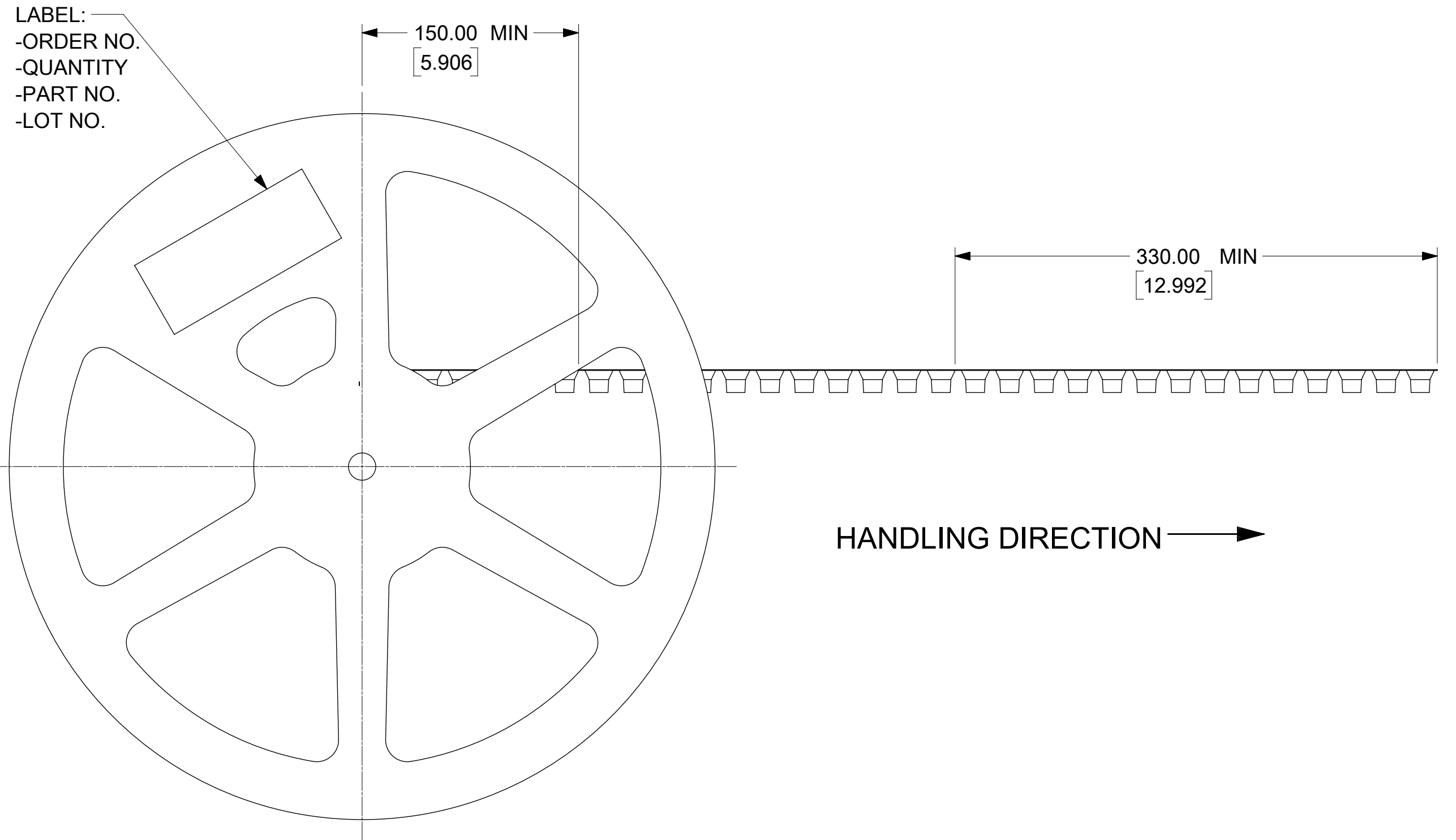
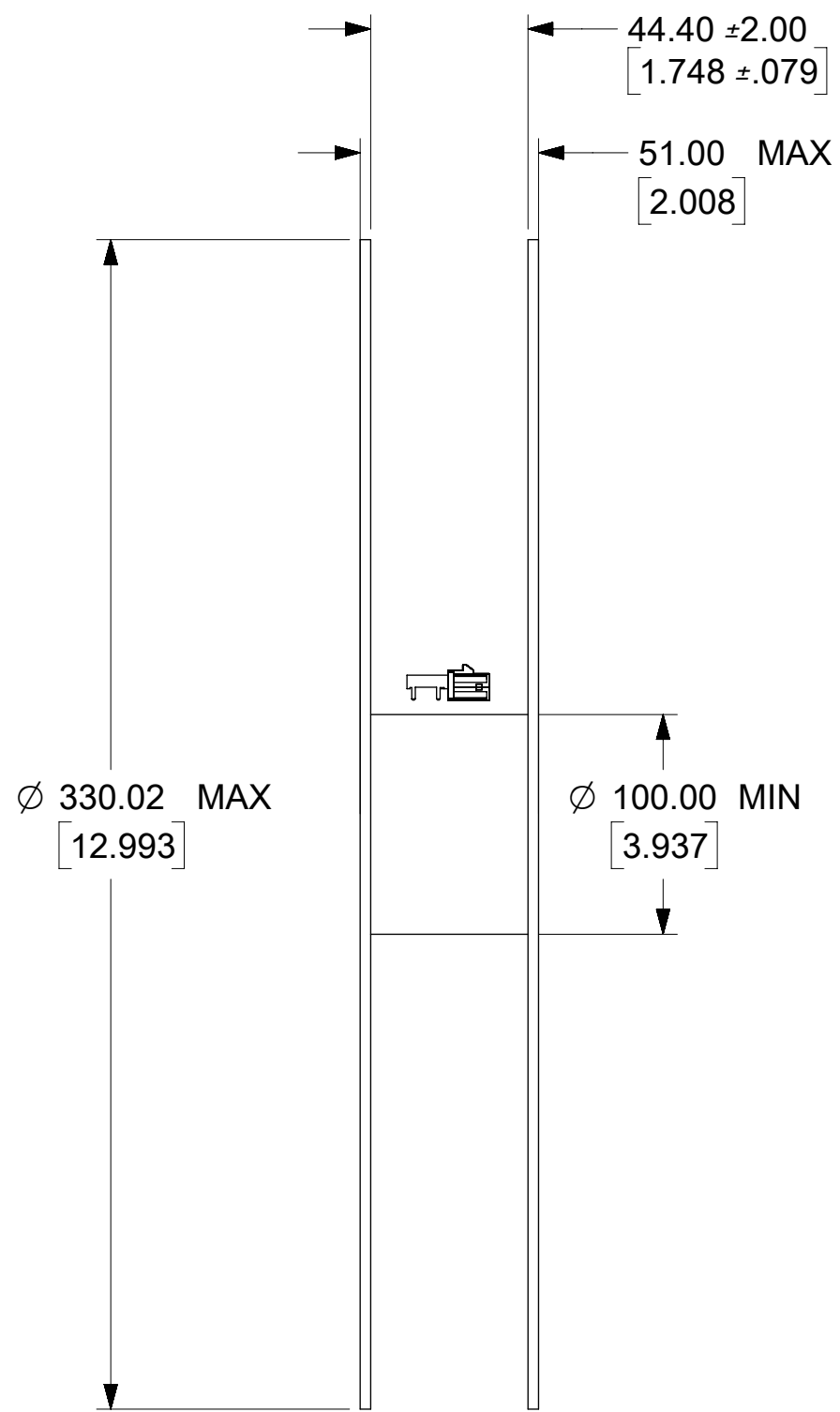
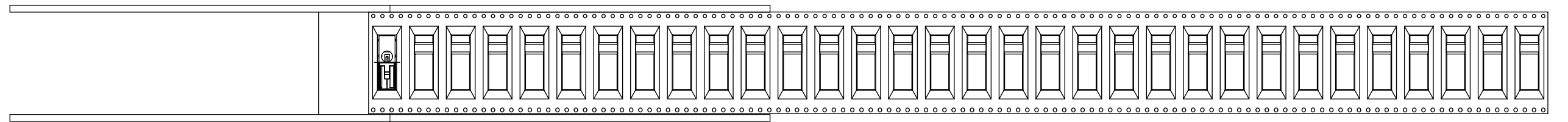
SECTION A-A

SEE DETAIL B



DETAIL B  
SCALE 20:1

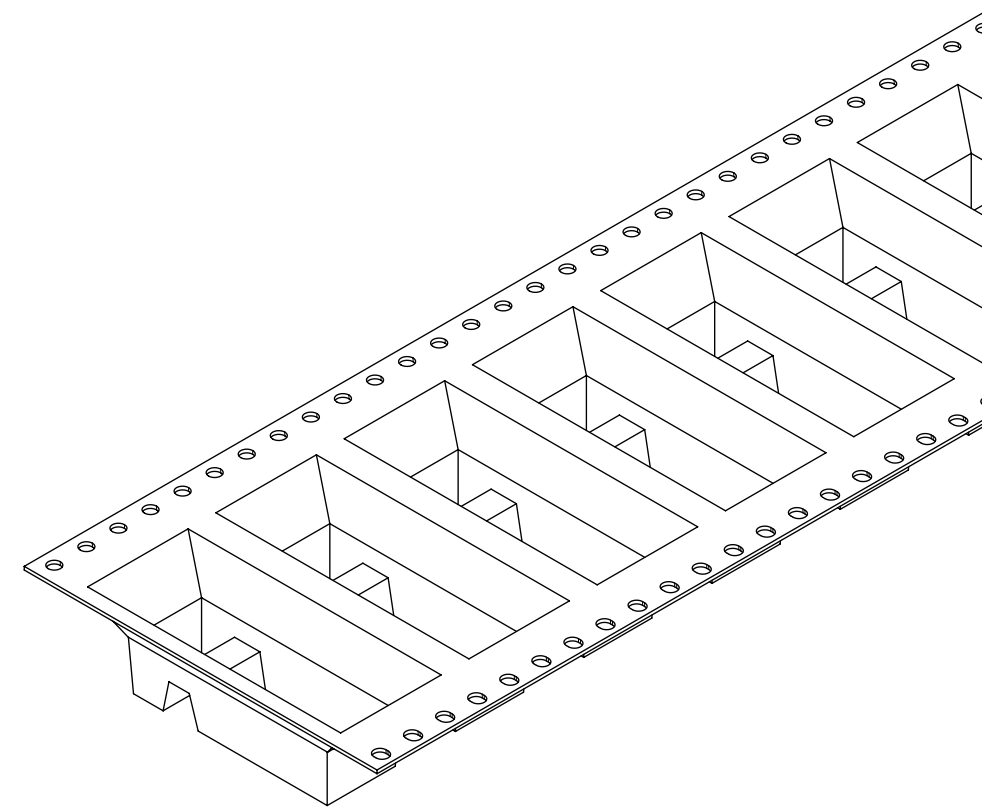
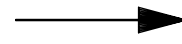
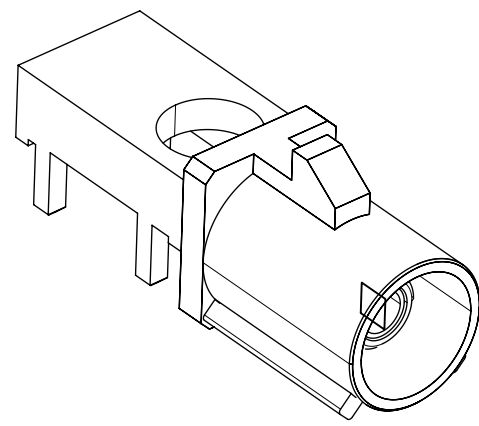
QUALITY SYMBOLS		THIS DRAWING CONTAINS INFORMATION THAT IS PROPRIETARY TO MOLEX ELECTRONIC TECHNOLOGIES, LLC AND SHOULD NOT BE USED WITHOUT WRITTEN PERMISSION									
▽ = 0	▽ = 0	MIGRATED TO ECTRIX EC NO: 167544 DRWN: ELIN CHKD: YCHENG APP: YCHENG	2017/1/08	2017/1/15	GENERAL TOLERANCES (UNLESS SPECIFIED)		DIMENSION UNITS	SCALE	<b>molex</b>		
▽ = 0	▽ = 0				ANGULAR TOL ± 2.0 °		MM/IN	NTS			
▽ = 0	▽ = 0				4 PLACES ±	ELIN	DATE	2012/06/26			
▼ = 0	▽ = 0				3 PLACES ±	CHKD BY	DATE	2012/06/26			
▽ = 0	▽ = 0				2 PLACES ±	KERRIE	DATE	2012/06/26			
▽ = 0	▽ = 0	1 PLACE ±	YCHENG	DATE	2014/07/17						
☒ = 0	■ = 0	0 PLACES ±	DRAWING SIZE		THIRD ANGLE PROJECTION	SERIES	MATERIAL NUMBER	CUSTOMER			
▽ = 0	▽ = 0	DRAFT WHERE APPLICABLE MUST REMAIN WITHIN DIMENSIONS		C		73403	SEE TABLE	GENERAL MARKET			
		A3				DOCUMENT NUMBER	DOC TYPE	DOC PART	SHEET NUMBER		
						E-73403-608	PDD	001	3 OF 5		



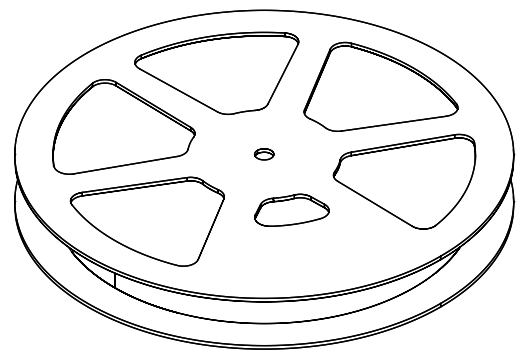
LABEL:  
 -ORDER NO.  
 -QUANTITY  
 -PART NO.  
 -LOT NO.

HANDLING DIRECTION →

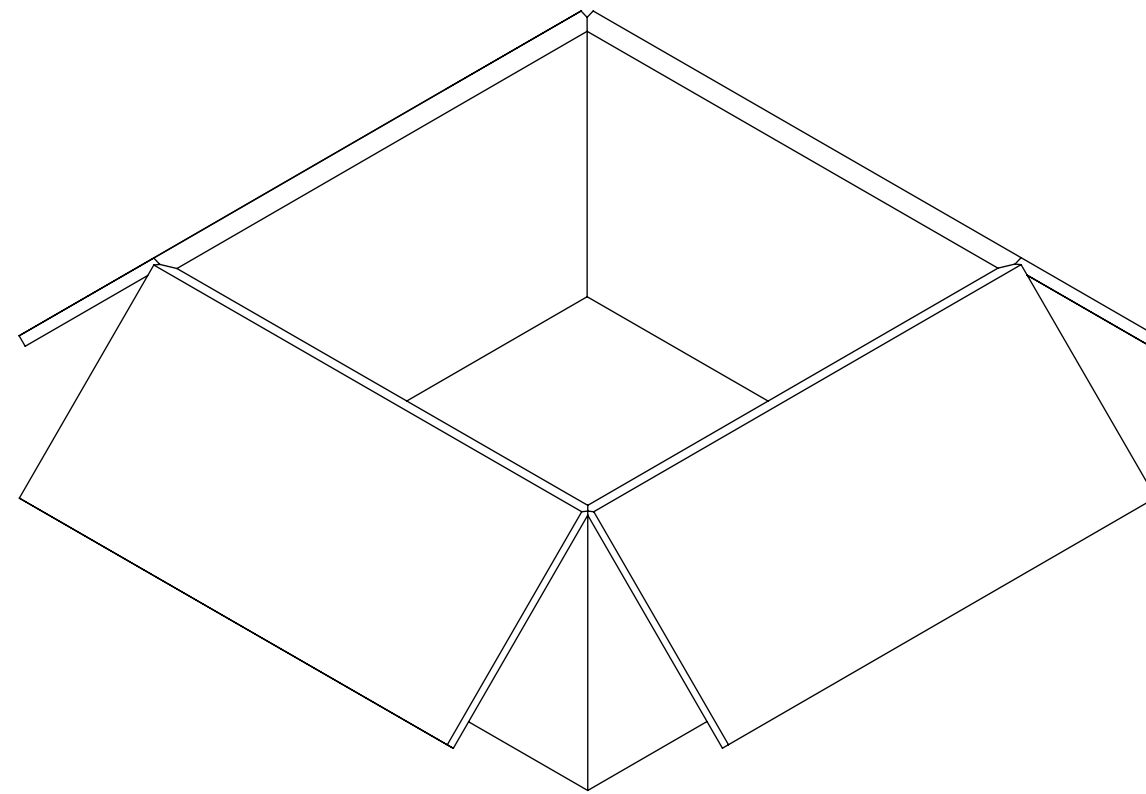
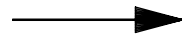
QUALITY SYMBOLS		THIS DRAWING CONTAINS INFORMATION THAT IS PROPRIETARY TO MOLEX ELECTRONIC TECHNOLOGIES, LLC AND SHOULD NOT BE USED WITHOUT WRITTEN PERMISSION									
▽ = 0	MIGRATED TO ECTRIX 2017/11/08 EC NO: 167544 DRWN: ELIN CHKD: YCHENG REV / APPR:	GENERAL TOLERANCES (UNLESS SPECIFIED)				DIMENSION UNITS	SCALE	<b>molex</b>			
▽ = 0		ANGULAR TOL ± 2.0 °				MM/IN	NTS				
▽ = 0		4 PLACES ±				DRWN BY	DATE	SMB JACK FAKRA 50 OHMS PIN IN PASTE FAKRA-J/PCB			
▼ = 0		3 PLACES ±				ELIN	2012/06/26				
▽ = 0		2 PLACES ±				CHKD BY	DATE	PRODUCT DESIGN DRAWING			
▽ = 0		1 PLACE ±				KERRIE	2012/06/26				
☒ = 0	0 PLACES ±				APPR BY	DATE	SERIES MATERIAL NUMBER CUSTOMER 73403 SEE TABLE GENERAL MARKET				
■ = 0	DRAFT WHERE APPLICABLE MUST REMAIN WITHIN DIMENSIONS				YCHENG	2014/07/17					
▽ = 0	A3	DRAWING SIZE	THIRD ANGLE PROJECTION	DOCUMENT NUMBER		DOC TYPE		DOC PART	SHEET NUMBER		
		C		E-73403-608	PDD	001	4 OF 5				



400 SET PER 13" REEL



400 SET PER 13" REEL



1600 SET PER OUTER  
CARTON BOX  
394 X 391 X 212 REF

QUALITY SYMBOLS ▽ = 0 ▽ = 0 ▽ = 0 ▼ = 0 ▽ = 0 ⊠ = 0 ■ = 0 ▽ = 0	THIS DRAWING CONTAINS INFORMATION THAT IS PROPRIETARY TO MOLEX ELECTRONIC TECHNOLOGIES, LLC AND SHOULD NOT BE USED WITHOUT WRITTEN PERMISSION										
	MIGRATED TO ECTRIX 2017/11/08		2017/11/15		GENERAL TOLERANCES (UNLESS SPECIFIED)		DIMENSION UNITS		SCALE		
	EC NO: 167544		CHKD: YCHENG		ANGULAR TOL ± 2.0 °		MM/IN		NTS		
	DRWN: ELIN		2014/07/17		4 PLACES ±		DRWN BY		DATE		
	REV: APPR:		YCHENG		3 PLACES ±		ELIN		2012/06/26		SMB JACK FAKRA 50 OHMS PIN IN PASTE FAKRA-J/PCB
	A3		2014/07/17		2 PLACES ±		CHKD BY		DATE		
	DRAFT WHERE APPLICABLE MUST REMAIN WITHIN DIMENSIONS		YCHENG		1 PLACE ±		KERRIE		2012/06/26		PRODUCT DESIGN DRAWING
	C		2014/07/17		0 PLACES ±		APPR BY		DATE		
	DRAFTER: YCHENG		2014/07/17		THIRD ANGLE PROJECTION		DRAWING SIZE		THIRD ANGLE PROJECTION		SERIES: 73403 MATERIAL NUMBER: SEE TABLE CUSTOMER: GENERAL MARKET
	RELEASE STATUS: P1		RELEASE DATE: 15.11.2017 02:00:47		A3		C		E-73403-608		DOCUMENT NUMBER: E-73403-608 DOC TYPE: PDD DOC PART: 001 SHEET NUMBER: 5 OF 5