



ANATECH ELECTRONICS INC
RF & Microwave Filters & Products

15.55 GHz Cavity Bandpass Filter

Part Number: AE15550B10247



Electrical specifications

Center Frequency: 15.55 GHz

Insertion loss: 4.0 dB Max

Return loss: 14 dB Min

Rejection 1: 70 dB Min @ DC - 14.55 GHz

Rejection 2: >70 dB Min @ 16.50 -20.00 GHz

Mechanical

Mounting Method: Threaded Mounting Holes

Connector Type: SMA Female

Dimensions: 1.80" x 0.75" x 0.50" in

Environmental

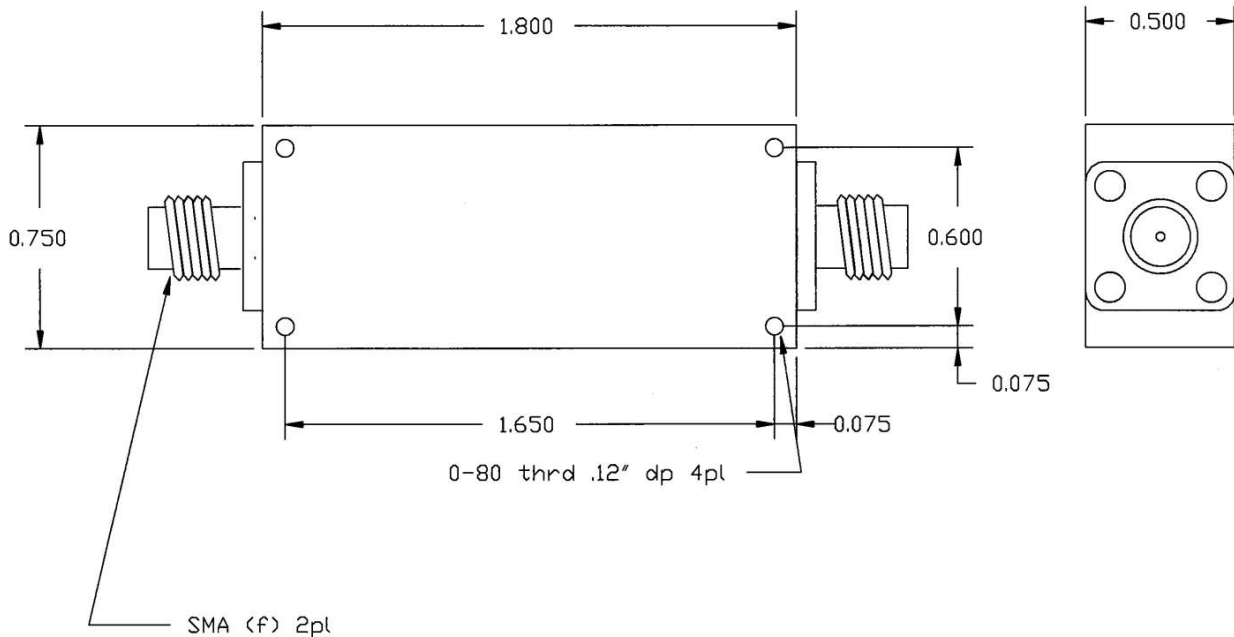
Operating Temperature: -45 to +85° C

Storage Temperature: -55 to +95° C

Shock: 20 G. 11ms

Vibration: 20 G. 5 to 200 MHz

Outline Drawing:





15.55 GHz Cavity Bandpass Filter

Part Number: AE15550B10247

ANATECH ELECTRONICS INC
RF & Microwave Filters & Products



Plots:

