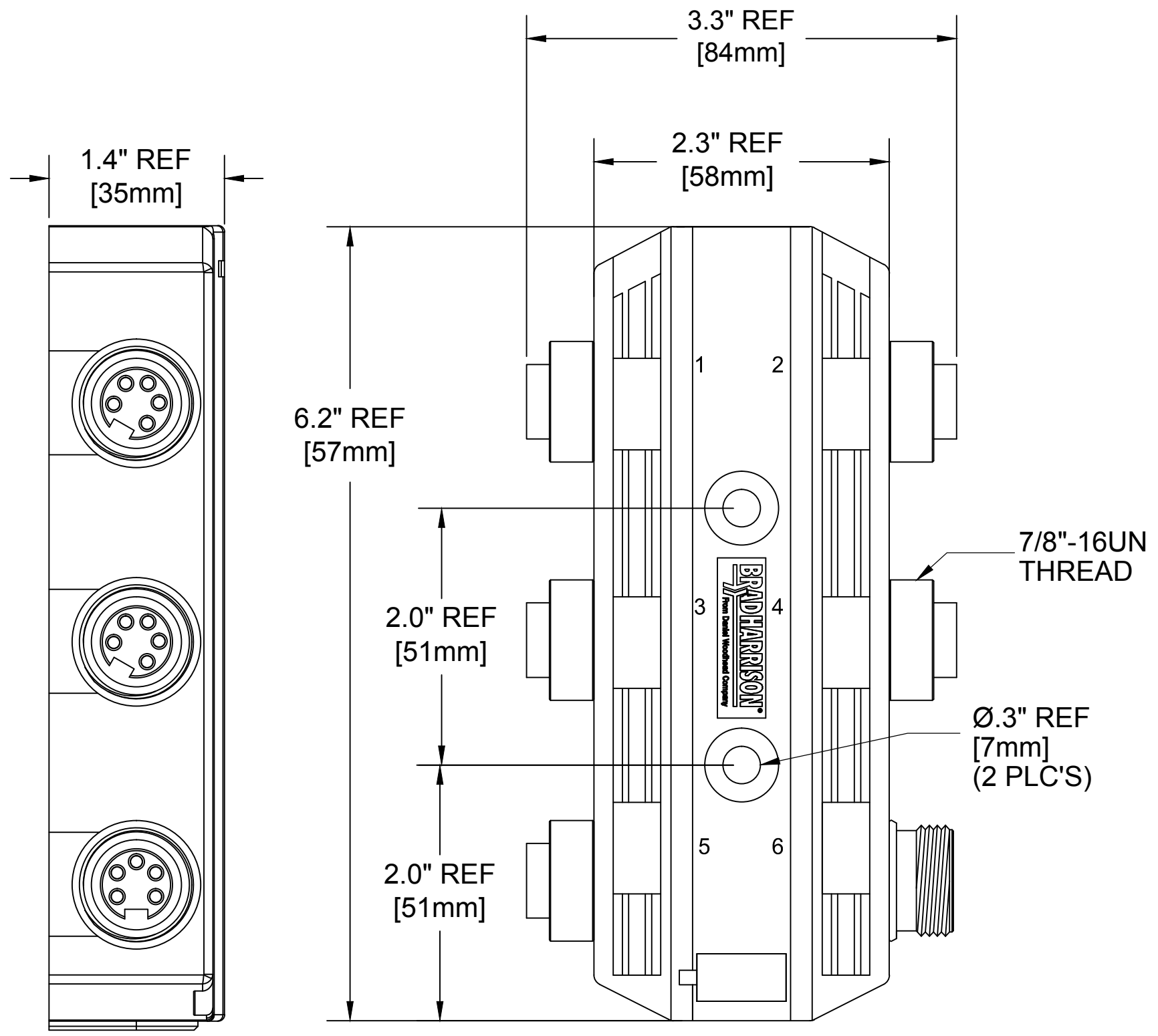
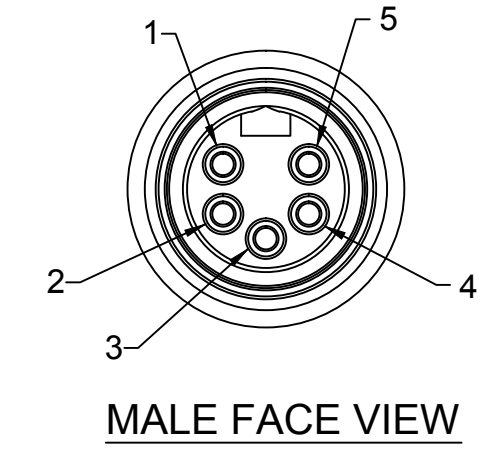
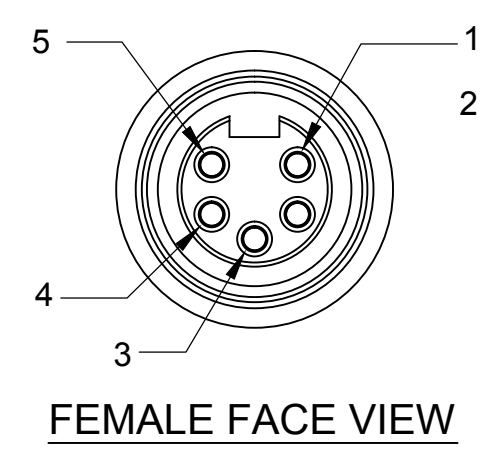
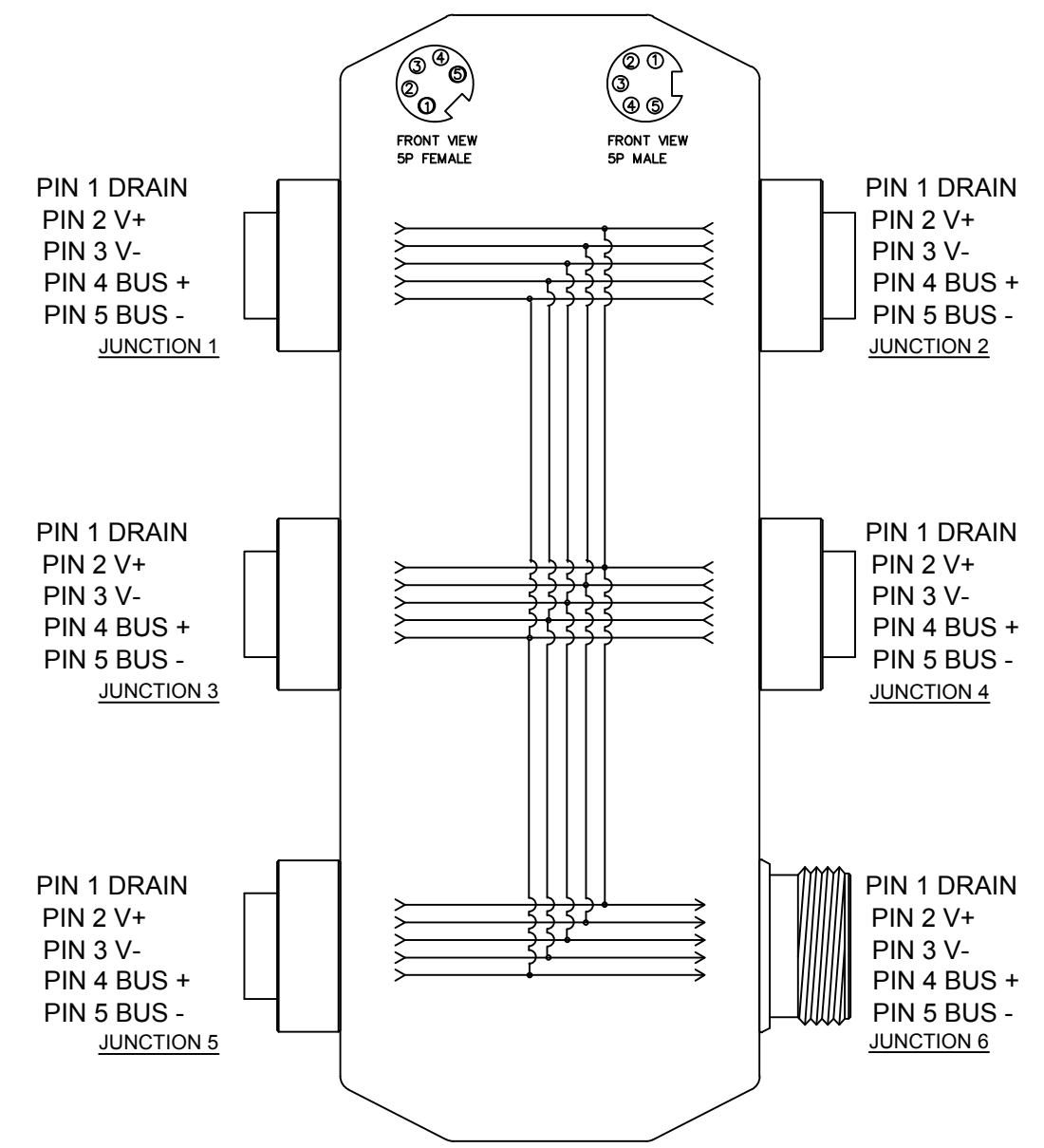


**MATERIAL NUMBER**  
1300360006

**OLD PART NUMBER**  
DN4100



**SCHEMATIC**



**SPECIFICATION DATA**

COMPONENT	MATERIAL	FINISH
LABEL	ABS	WHITE
HOUSING	PBT	BLACK
CONTACT	COPPER ALLOY	Au OVER Ni
INSERT	PVC	GRAY
POTTING MATERIAL	EPOXY	BLACK
RECEPTACLE SHELL	ZINC DIE CAST	BLACK E-COATED
VOLTAGE RATING:	120 VAC/VDC	
AMPERAGE RATING:	7A	
PROTECTION CLASS:	IP 67	
OPERATING TEMPERATURE:	0°C / 60°C	

UPDATED DRAWING EC NO: IFC2014-0099 DRWN: GGUSTAFS 2014/01/02 CH'KD: BARDEN APPR: BWOODMAN	QUALITY SYMBOL	GENERAL TOLERANCES (UNLESS SPECIFIED)		DIMENSION STYLE	SCALE	DESIGN UNITS	THIRD ANGLE PROJECTION		
	▽=0	4 PLACES	mm INCH	IN/MM	NTS	INCH	DRAWN BY DATE		
	▽C=0	3 PLACES	±--- ±---	GGUSTAFS 2014/01/02	TITLE	MC 4 PORT PASS-THRU MPIS DEVICENET			
		2 PLACES	±.13 ±.010	CHECKED BY DATE	---				
		1 PLACE	±.25 ±.020	APPROVED BY DATE	---				
	ANGULAR ±.5°		DRAFT WHERE APPLICABLE MUST REMAIN WITHIN DIMENSIONS		MATERIAL NO. SEE CHART		DOCUMENT NO. SD-130036-004		SHEET NO. 1 OF 1
	THIS DRAWING CONTAINS INFORMATION THAT IS PROPRIETARY TO MOLEX INCORPORATED AND SHOULD NOT BE USED WITHOUT WRITTEN PERMISSION								