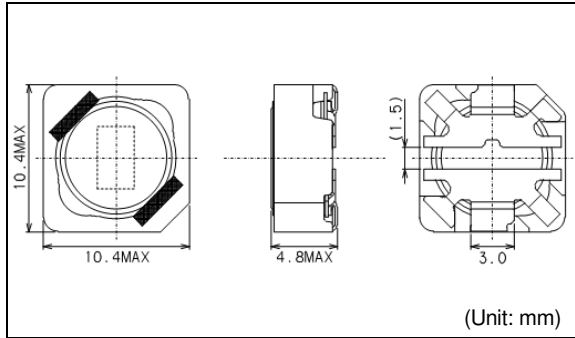


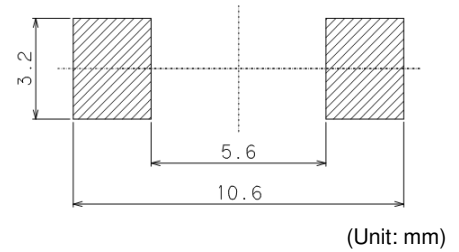
MBH10145C



Inductance Range: 3.3~1500μH



Recommended patterns
推荐焊盘尺寸



FEATURES 特点

- AEC-Q200 Compliant.
- 10.4× 10.4mm Max. square, 4.8mm Max. height.
- Magnetically shielded.
- Operating temperature : -40~+150°C
- 符合AEC-Q200
- 最大10.4×10.4毫米的平面，最大高度4.8毫米
- 磁性屏蔽结构
- 使用温度范围：-40~+150°C

STANDARD PART NUMBERS 标准零件号码

TYPE MBH10145C (Quantity/reel; 500 PCS)

零件号码	电感值 ⁽¹⁾	公差	最大直流电阻 ⁽²⁾ (典型)	最大电感值减小电流 ⁽³⁾ (典型)	最大温度上升电流 ⁽³⁾ (典型)
Part Number	Inductance ⁽¹⁾ (μH)	Tolerance (%)	DC Resistance ⁽²⁾ (mΩ) Tolerance ±20%	Inductance Decrease Current ⁽³⁾ (A) Max.(Typ.) ΔL/L=10%	Temperature Rise Current ⁽³⁾ ΔT=40°C (A) Max. (Typ.)
* MBH10145C-3R3NA=P3	3.3	±30	17	4.9 (7.0)	4.3 (5.4)
MBH10145C-5R6NA=P3	5.6	±30	22	4.1 (5.6)	3.7 (4.7)
MBH10145C-100MA=P3	10	±20	37	3.1 (4.2)	3.3 (3.9)
MBH10145C-150MA=P3	15	±20	48	2.6 (3.5)	2.5 (3.0)
MBH10145C-220MA=P3	22	±20	60	2.2 (2.9)	2.3 (2.8)
MBH10145C-330MA=P3	33	±20	82	1.7 (2.4)	2.1 (2.5)
MBH10145C-470MA=P3	47	±20	100	1.6 (2.1)	1.7 (2.1)
MBH10145C-680MA=P3	68	±20	140	1.2 (1.6)	1.5 (1.8)
* MBH10145C-101MA=P3	100	±20	200	0.98 (1.4)	1.2 (1.5)
MBH10145C-151MA=P3	150	±20	350	0.75 (1.1)	0.93 (1.1)
MBH10145C-221MA=P3	220	±20	470	0.68 (0.90)	0.85 (1.0)
* MBH10145C-331MA=P3	330	±20	680	0.56 (0.79)	0.73 (0.86)
* MBH10145C-471MA=P3	470	±20	1030	0.45 (0.59)	0.56 (0.67)
* MBH10145C-681MA=P3	680	±20	1600	0.38 (0.51)	0.48 (0.57)
* MBH10145C-102MA=P3	1000	±20	2800	0.30 (0.42)	0.35 (0.42)
* MBH10145C-152MA=P3	1500	±20	3400	0.26 (0.34)	0.33 (0.39)

* Under development

1) Inductance is measured with a LCR meter 4284A(Agilent Technologies) or equivalent. Test frequency at 100kHz
 (2) DC resistance is measured with 34420A (Agilent Technologies) or 3541 (HIOKI). (Reference ambient temperature 25°C)
 (3) Maximum allowable DC current is that which causes a 10% inductance reduction from the initial value, coil temperature to rise by 40°C, whichever is smaller.
 (Reference ambient temperature 25°C)

(1) LCR仪表4284A (Agilent技术)或者功能相同的仪器在100kHz下测试电感值。
 (2) 通过数码万用表34420A (Agilent技术) 或者3541 (HIOKI)测试直流电阻。(环境温度为25°C)
 (3) 允许最大直流电的范围是以下两者中比较小的一个：引起电感值从最初值降低10%，或者线圈温度升高40°C。
 (参考周围环境温度25°C)。