

4

3

2

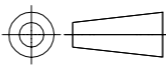
1

© - TE Connectivity. All Rights Reserved.

REVISIONS

P	LTR	DESCRIPTION	DATE	DWN	APVD
	C2	PRODUCT DISCONTINUE	25MAY2020	EZ	WH

OBSOLETE

THIS DRAWING IS A CONTROLLED DOCUMENT.		DWN U.CHUANG 06AUG2010	STE TE Connectivity Ltd.	
		CHK V.PENG 06AUG2010		
DIMENSIONS: mm		APVD W.KODAMA 06AUG2010	NAME RECEPTACLE ASSY SLIMLINE SATA PLUS	
		PRODUCT SPEC 108-99030	RESTRICTED TO	
TOLERANCES UNLESS OTHERWISE SPECIFIED: 0 PLC ± 1 PLC ± ±0.25 2 PLC ± ±3° 3 PLC ± ± 4 PLC ± ± ANGLES ± ±		APPLICATION SPEC	SIZE A3	CAGE CODE 00779
MATERIAL ①	FINISH ②	WEIGHT	DRAWING NO C-2129116	SCALE 4:1
CUSTOMER DRAWING			SHEET 1 of 5	REV C2

4

3

2

1

© - TE Connectivity. All Rights Reserved.

REVISIONS

P	LTR	DESCRIPTION	DATE	DWN	APVD
-	-	SEE SHEET 1	-	-	-

OBSOLETE

THIS DRAWING IS A CONTROLLED DOCUMENT.		DWN	TE Connectivity Ltd.		
DIMENSIONS: mm	TOLERANCES UNLESS OTHERWISE SPECIFIED:	CHK	NAME RECEPTACLE ASSY SLIMLINE SATA PLUS		
	0 PLC ± 1 PLC ± ±0.25 2 PLC ± ±3° 3 PLC ± 4 PLC ± ANGLES ±-	APVD			
MATERIAL	FINISH	PRODUCT SPEC	SIZE	CAGE CODE	DRAWING NO
		APPLICATION SPEC	A3	00779	C-2129116
		WEIGHT	RESTRICTED TO		-
		CUSTOMER DRAWING	SCALE	SHEET	REV
			4:1	2 OF 5	C2

4

3

2

1

© - TE Connectivity. All Rights Reserved.

REVISIONS


P	LTR	DESCRIPTION	DATE	DWN	APVD
-	-	SEE SHEET 1	-	-	-

OBSOLETE

#18	HPD_PLUG DETECT		
#17	SMB_CLK		
#16	SMB_DATA		
#15	PERST#		
#14	WAKE#		
#13	CLKREQ#	P6	GND
#12	+5V	P5	GND
#11	GND	P4	MANUFACTURING DIAGNOSTIC
#10	PERX-	P3	+5V
#9	PERX+	P2	+5V
#8	GND	P1	DEVICE PRESENT
#7	GND	S7	GND
#6	PETX-	S6	B+
#5	PETX+	S5	B-
#4	GND	S4	GND
#3	REFCLK-	S3	A-
#2	REFCLK+	S2	A+
#1	GND	S1	GND
PIN	DESCRIPTION	PIN	DESCRIPTION

5.51g	5.37g	8.25	7.35	5.60	0.76µm	2-2129116-3		
						2-2129116-2		
4.68g	4.56g	6.90	6.00	4.25	0.76µm	2-2129116-1		
						1-2129116-3		
						1-2129116-2		
						1-2129116-1		
5.51g	5.37g	8.25	7.35	5.60	G/F	2129116-3		
						2129116-2		
4.68g	4.56g	6.90	6.00	4.25	G/F	2129116-1		
9	NET WEIGHT	8	NET WEIGHT	T	L	H	CONTACT AU PLATING	PART NUMBER

THIS DRAWING IS A CONTROLLED DOCUMENT.

DIMENSIONS: mm	TOLERANCES UNLESS OTHERWISE SPECIFIED: 8 PLC ± 1 PLC ± ±0.25 2 PLC ± ±3 3 PLC ± ± 4 PLC ± ± ANGLES ±	DWN CHK APVD PRODUCT SPEC APPLICATION SPEC WEIGHT	 TE Connectivity Ltd.	
MATERIAL	FINISH	CUSTOMER DRAWING	NAME RECEPTACLE ASSY SLIMLINE SATA PLUS	
		SIZE A3	CAGE CODE 00779	DRAWING NO C-2129116
		SCALE 5:1	SHEET 3 of 5	REV C2

4

3

2

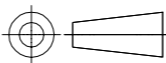
1

© - TE Connectivity. All Rights Reserved.

REVISIONS

P	LTR	DESCRIPTION	DATE	DWN	APVD
-	-	SEE SHEET 1	-	-	-

O B S O L E T E

THIS DRAWING IS A CONTROLLED DOCUMENT.		DWN	TE TE Connectivity Ltd.		
DIMENSIONS: mm	TOLERANCES UNLESS OTHERWISE SPECIFIED:	CHK	NAME RECEPTACLE ASSY SLIMLINE SATA PLUS		
	8 PLC ± 1 PLC ± ±0.05 2 PLC ± ±1° 3 PLC ± 4 PLC ± ANGLES ±-	APVD			
MATERIAL	FINISH	PRODUCT SPEC	SIZE	CAGE CODE	DRAWING NO
		APPLICATION SPEC	A3	00779	C-2129116
		WEIGHT	SCALE		RESTRICTED TO
		CUSTOMER DRAWING	8:1		-
			SHEET	REV	
			4 of 5	C2	

4

3

2

1

© - TE Connectivity. All Rights Reserved.

REVISIONS

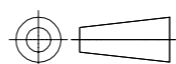
P	LTR	DESCRIPTION	DATE	DWN	APVD
-	-	SEE SHEET 1	-	-	-

OBSOLETE

750	250	5.75	11.15	2-2129116-3
				2-2129116-2
900	300	4.4	9.8	2-2129116-1
750	250	5.75	11.15	2129116-3
				2129116-2
900	300	4.4	9.8	2129116-1
PCS/BOX	PCS/REEL	DIM R	DIM S	PART NUMBER

THIS DRAWING IS A CONTROLLED DOCUMENT.

DIMENSIONS:
mm



TOLERANCES UNLESS OTHERWISE SPECIFIED:

- 8 PLC ±
- 1 PLC ± ±0.5
- 2 PLC ± ±3°
- 3 PLC ±
- 4 PLC ±
- ANGLES ±
- FINISH

MATERIAL

DWN	-
CHK	-
APVD	-
PRODUCT SPEC	-
APPLICATION SPEC	-
WEIGHT	-
CUSTOMER DRAWING	-



NAME				RECEPTACLE ASSY SLIMLINE SATA PLUS	
SIZE	CAGE CODE	DRAWING NO	RESTRICTED TO		
A3	00779	C-2129116	-		
SCALE		SHEET	REV		
FREE		5 of 5	C2		