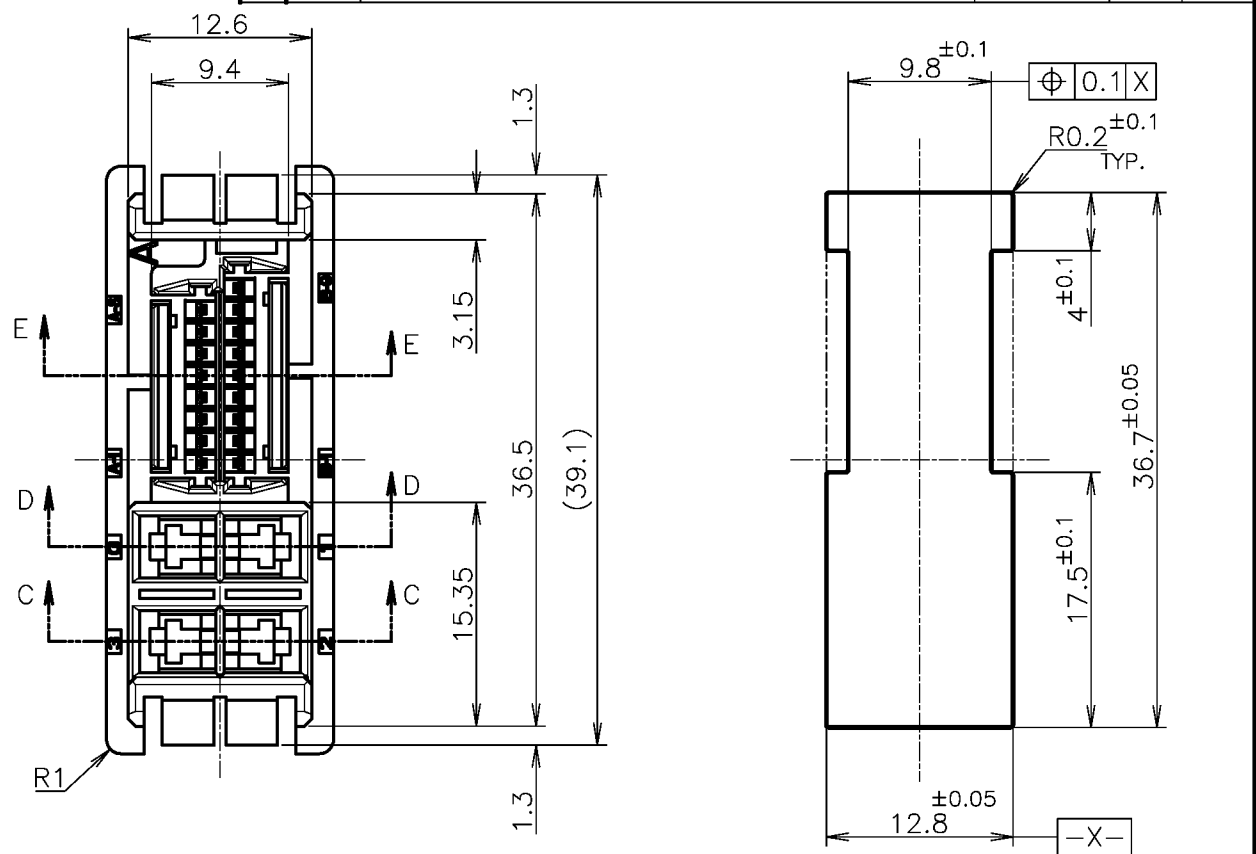
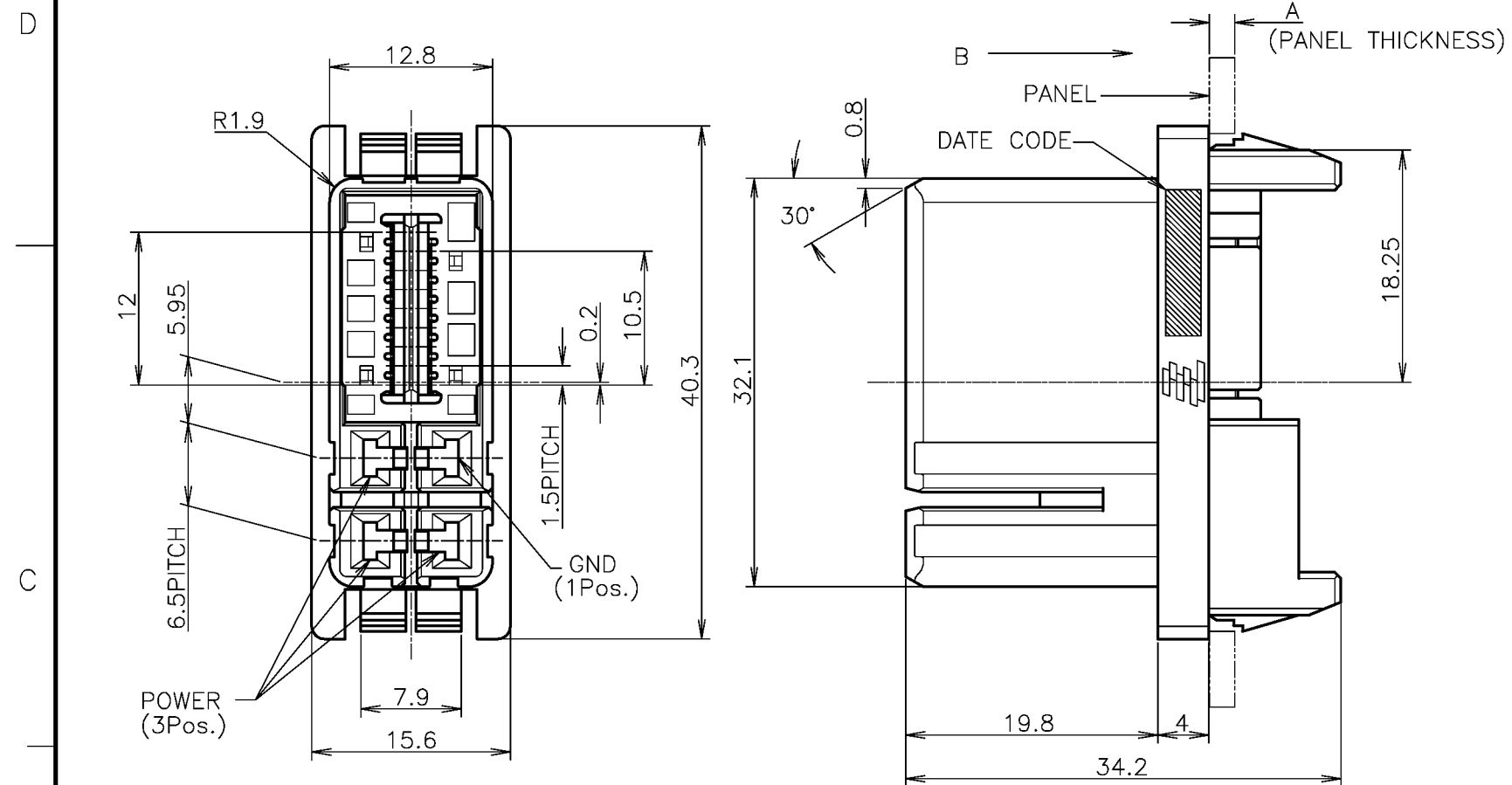
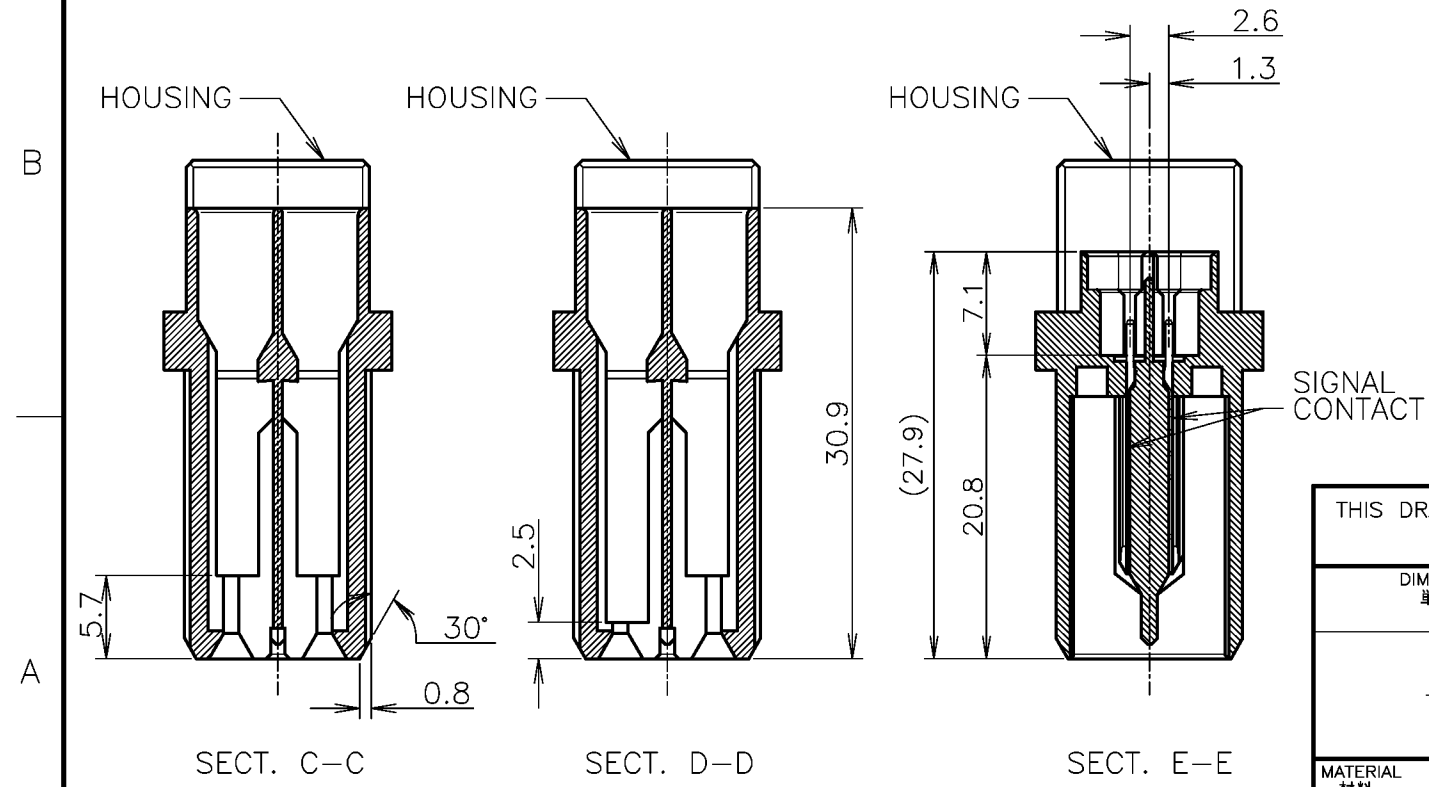


THIS DRAWING IS UNPUBLISHED. RELEASED FOR PUBLICATION
 © COPYRIGHT BY TYCO ELECTRONICS CORPORATION. ALL RIGHTS RESERVED.

LOC	DIST	REVISIONS					
J		P	LTR	DESCRIPTION	DATE	DWN	APVD
		C	REVISED		31OCT2008	M.K	T.Y



PANEL CUT DIMENSION(VIEW B)



- NOTE
- GENERAL TOLERANCE : $\pm 0.3, \pm 3^\circ$
 - MATERIAL
 SIGNAL CONTACT : BRASS
 HOUSING : THERMOPLASTIC, COLOR:BLACK
 - MATING CONNECTOR: 2040340-1
 - RECOMMENDED POWER CONTACT: 1981378-1(Au PLATING)
 1-1981378-1(PRE-TIN)
 - RECOMMENDED GROUND CONTACT: 1981379-1(Au PLATING)
 1-1981379-1(PRE-TIN)

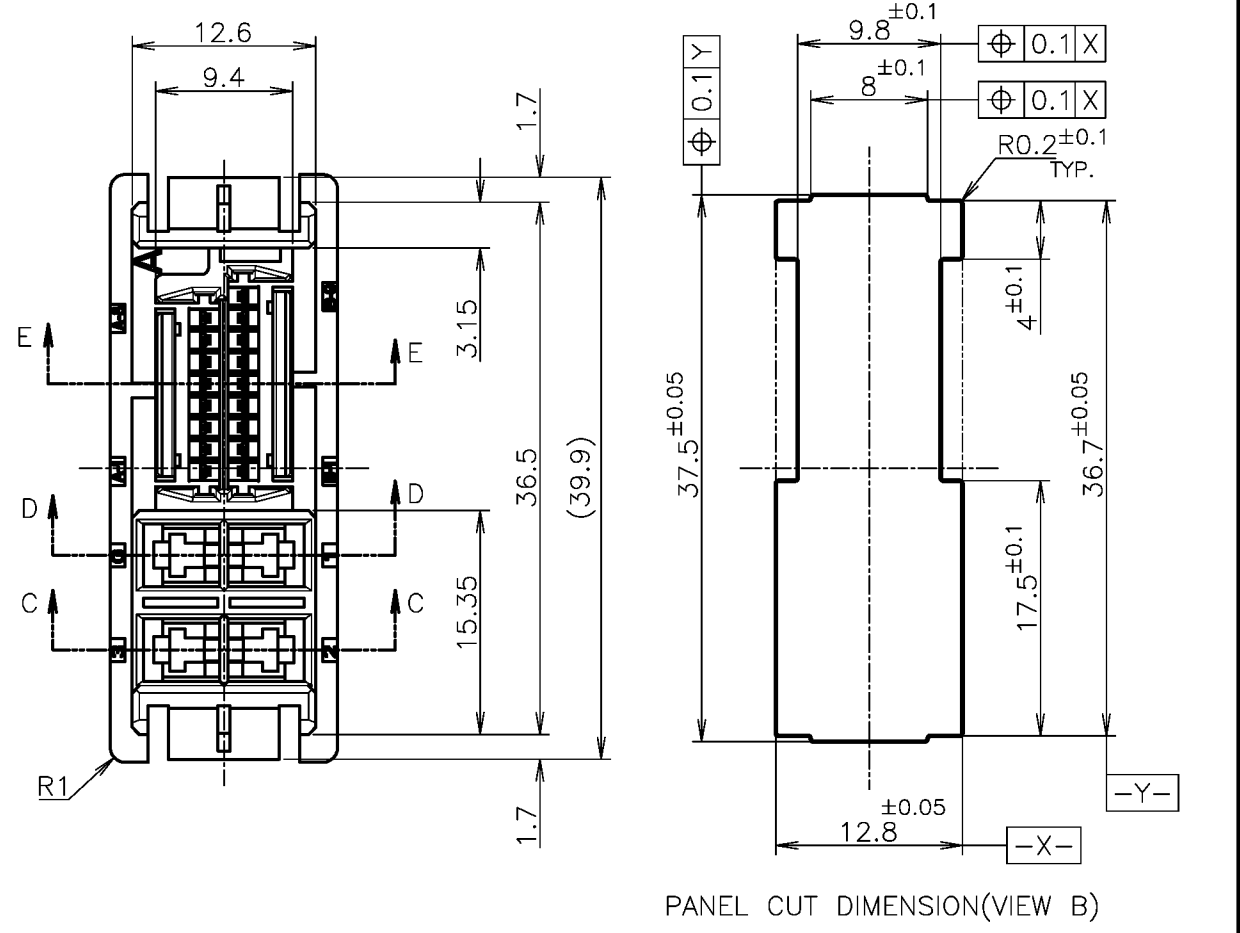
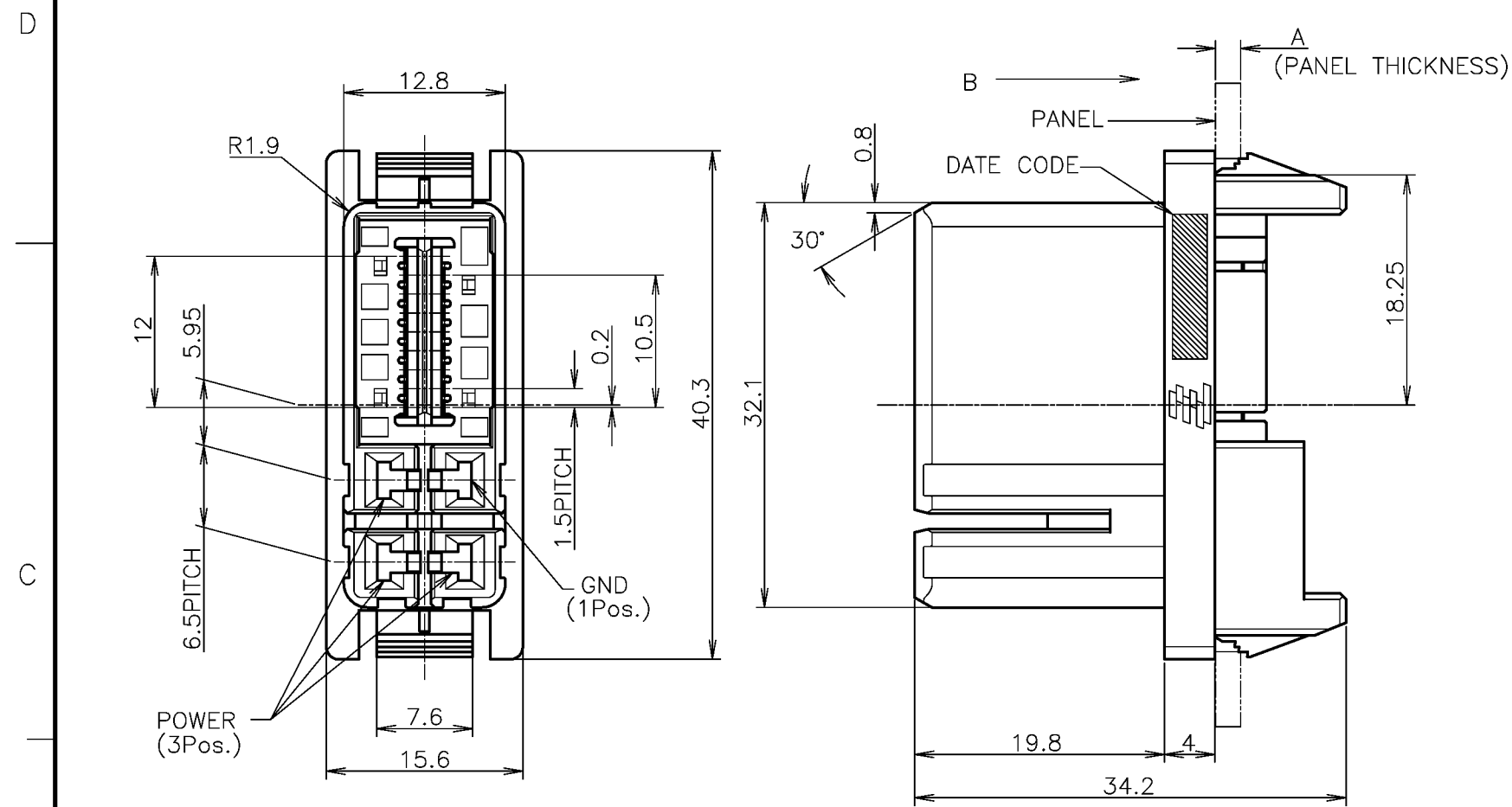
2040339-1:AS SHOWN

2.0±0.1
 DIMENSION "A"
 (PANEL THICKNESS)

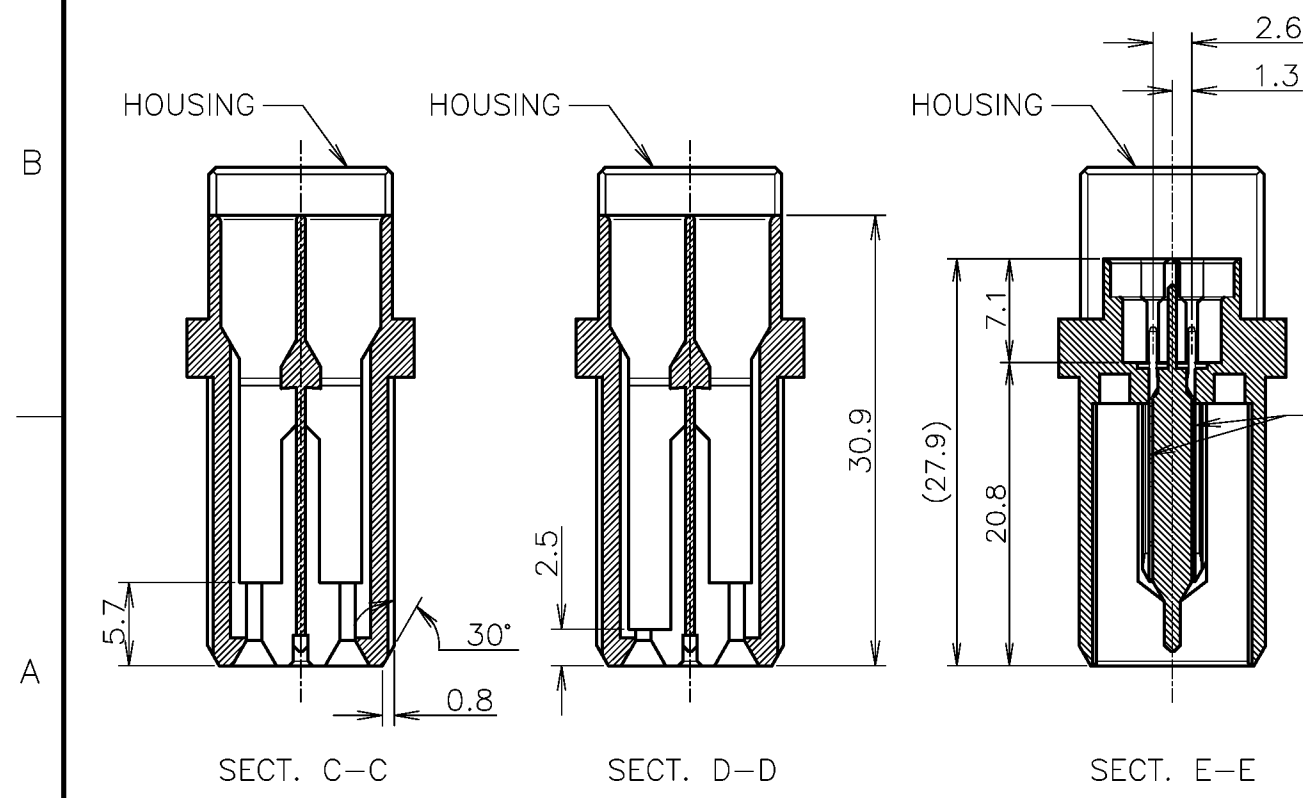
THIS DRAWING IS A CONTROLLED DOCUMENT.		DWN M.KATO 22APR2008	Tyco Electronics Corporation Kawasaki, Japan	
DIMENSIONS: 単位: 精 mm		CHK T.YAMADA 22APR2008	NAME 名称 REC. ASSY 1.5mm PITCH MINI CT SNAP-FIT HYBRID DRAWER CONNRCUTOR,SLIM TYPE 4-17Pos.	
TOLERANCES UNLESS OTHERWISE SPECIFIED: 一般公差		APVD T.YAMADA 22APR2008	PRODUCT SPEC 製品規格 108-78540	SIZE A3
0 PLC ± - 1 PLC ± - 2 PLC ± - 3 PLC ± - 4 PLC ± - ANGLES ± -		APPLICATION SPEC 取付適用規格	CAGE CODE 00779	DRAWING NO 番号 2040339
MATERIAL 材料		FINISH 仕上	WEIGHT	RESTRICTED TO
CUSTOMER DRAWING			SCALE 尺度 2:1	SHEET 1 of 3 REV C

THIS DRAWING IS UNPUBLISHED. RELEASED FOR PUBLICATION
 © COPYRIGHT BY TYCO ELECTRONICS CORPORATION. ALL RIGHTS RESERVED.

LOC	DIST	REVISIONS					
		P	LTR	DESCRIPTION	DATE	DWN	APVD
J				SEE SHEET 1			



NOTE
 1. GENERAL TOLERANCE : $\pm 0.3, \pm 3^\circ$
 2. MATERIAL
 SIGNAL CONTACT : BRASS
 HOUSING : THERMOPLASTIC, COLOR:BLACK
 3. MATING CONNECTOR: 2040340-1
 4. RECOMMENDED POWER CONTACT: 1981378-1(Au PLATING)
 1-1981378-1(PRE-TIN)
 5. RECOMMENDED GROUND CONTACT: 1981379-1(Au PLATING)
 1-1981379-1(PRE-TIN)



2040339-2:AS SHOWN

2.0 ± 0.05
 DIMENSION "A"
 (PANEL THICKNESS)

THIS DRAWING IS A CONTROLLED DOCUMENT.		DWN	Tyco Electronics Corporation Kawasaki, Japan	
DIMENSIONS: 単位: 精 mm		CHK	NAME 名称	
TOLERANCES UNLESS OTHERWISE SPECIFIED: 一般公差		APVD	REC. ASSY 1.5mm PITCH MINI CT SNAP-FIT HYBRID DRAWER CONNRCUTOR,SLIM TYPE 4-17Pos.	
0 PLC ± -	1 PLC ± -	PRODUCT SPEC 製品規格	SIZE	CAGE CODE
2 PLC ± -	3 PLC ± -	108-78540	A3	00779
4 PLC ± -	ANGLES ± -	APPLICATION SPEC 取付適用規格	DRAWING NO 番号	G-2040339
MATERIAL 材料	FINISH 仕上	WEIGHT	RESTRICTED TO	
CUSTOMER DRAWING			SCALE 尺度	SHEET 2 of 3
			REV C	

4

3

2

1

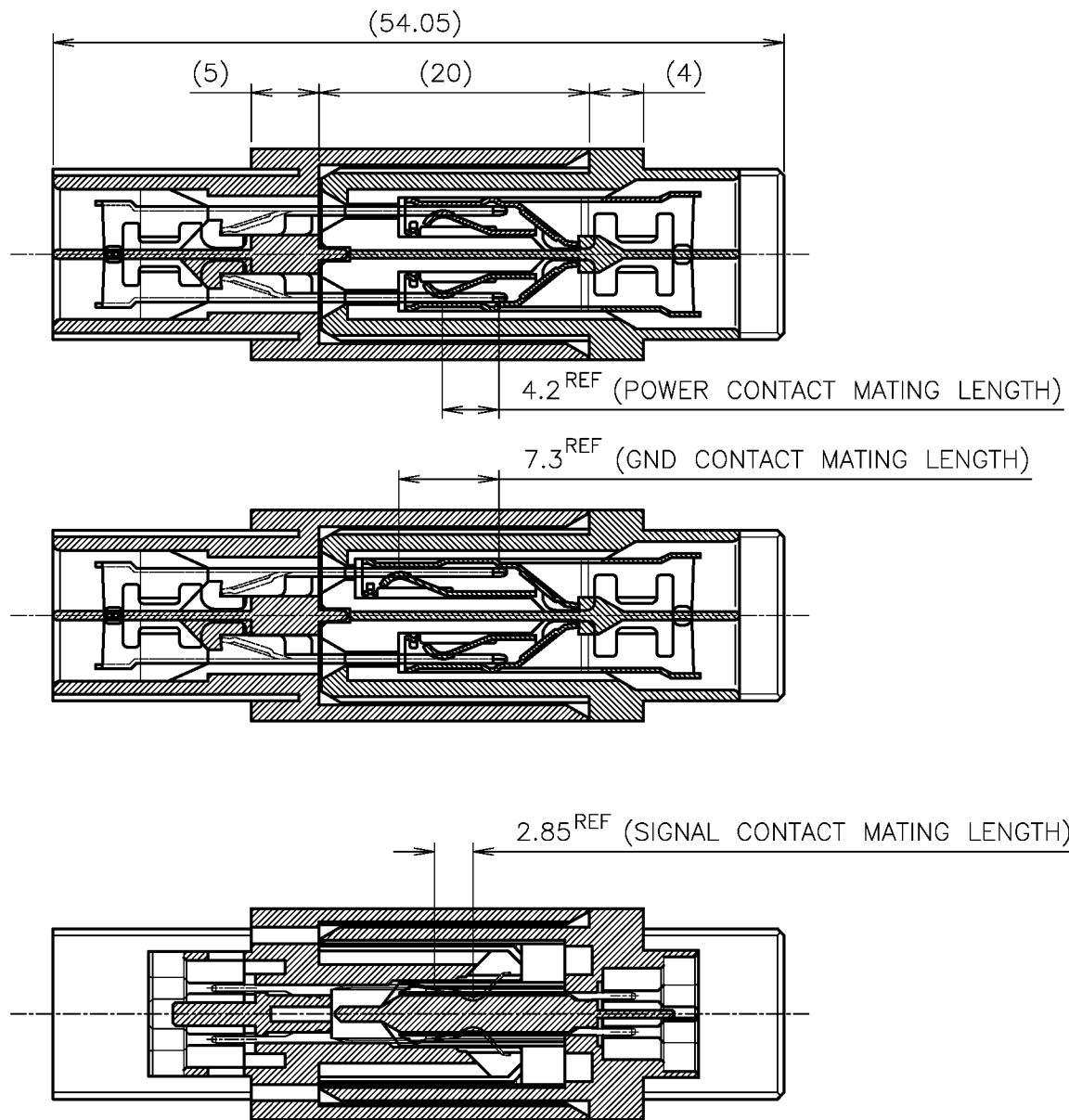
THIS DRAWING IS UNPUBLISHED.

RELEASED FOR PUBLICATION

© COPYRIGHT BY TYCO ELECTRONICS CORPORATION. ALL RIGHTS RESERVED.

LOC	DIST	REVISIONS			DATE	DWN	APVD
J		P	LTR	DESCRIPTION			
				SEE SHEET 1	-	-	-

DIMENSIONS ARE REFERENCE ONLY.



THIS DRAWING IS A CONTROLLED DOCUMENT.

DIMENSIONS: 単位: 精 mm	TOLERANCES UNLESS OTHERWISE SPECIFIED: 一般公差
	0 PLC ±-
	1 PLC ±-
	2 PLC ±-
	3 PLC ±-
	4 PLC ±-
	ANGLES ±-
MATERIAL 材料	FINISH 仕上

DWN	Tyco Electronics Corporation Kawasaki, Japan		
CHK	NAME 名称		
APVD	REC. ASSY 1.5mm PITCH MINI CT 製品規格 SNAP-FIT HYBRID DRAWER CONNCTOR,SLIM TYPE 4-17Pos.		
PRODUCT SPEC	SIZE	CAGE CODE	DRAWING NO 番号
APPLICATION SPEC	A3	00779	C-2040339
WEIGHT	CUSTOMER DRAWING		RESTRICTED TO
	SCALE 尺度	SHEET	REV
	NTS	3 OF 3	C