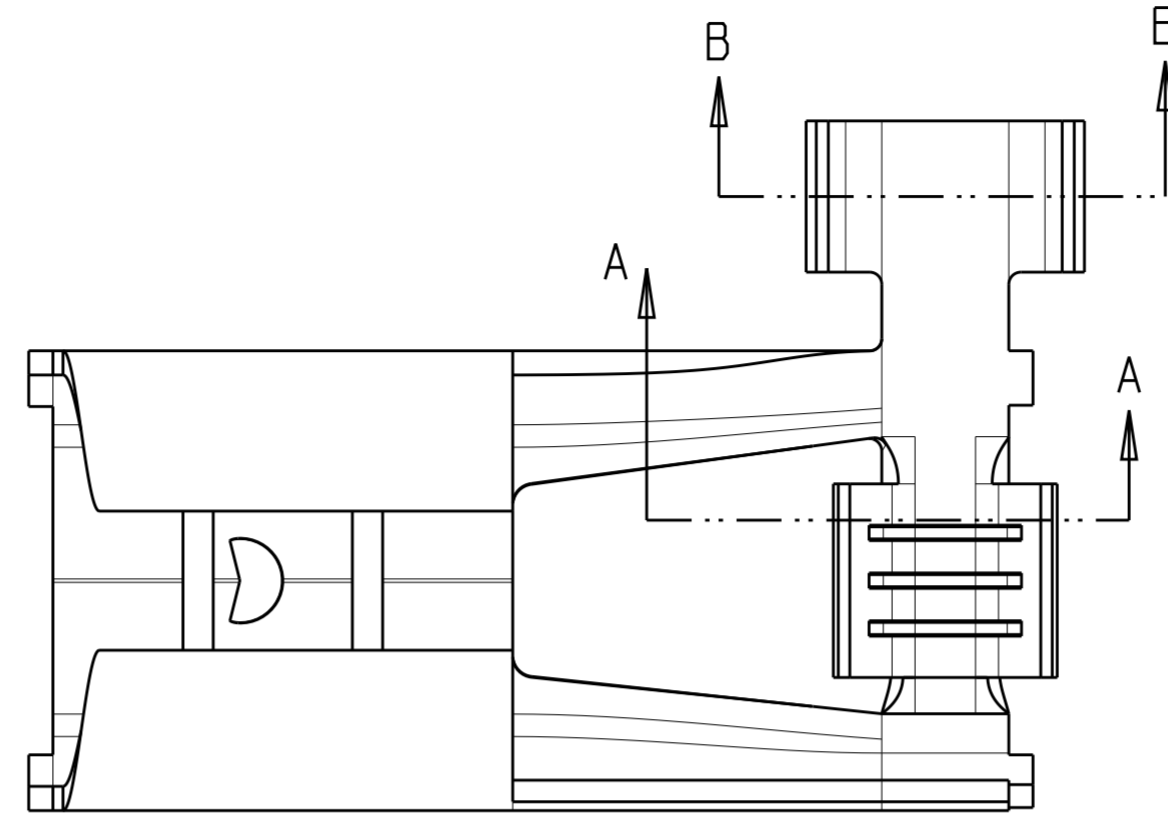
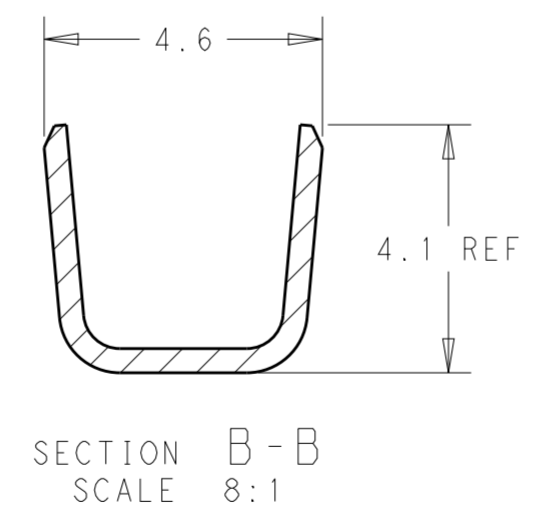
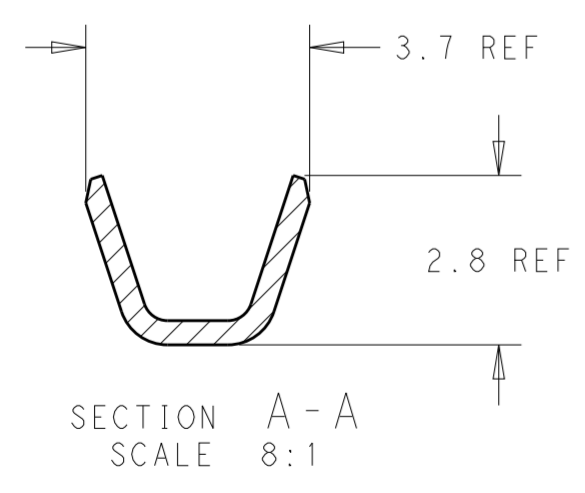
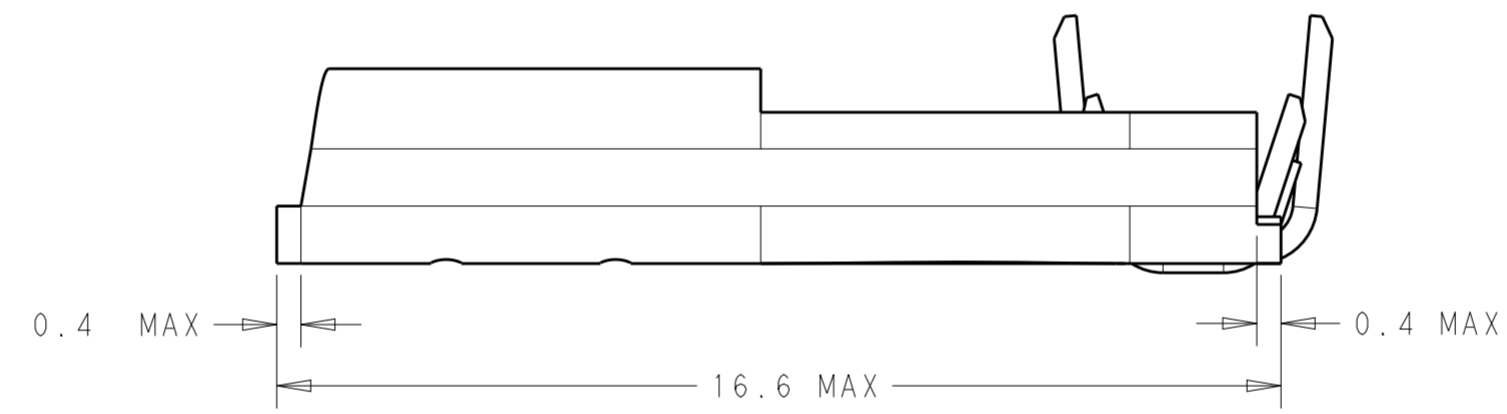
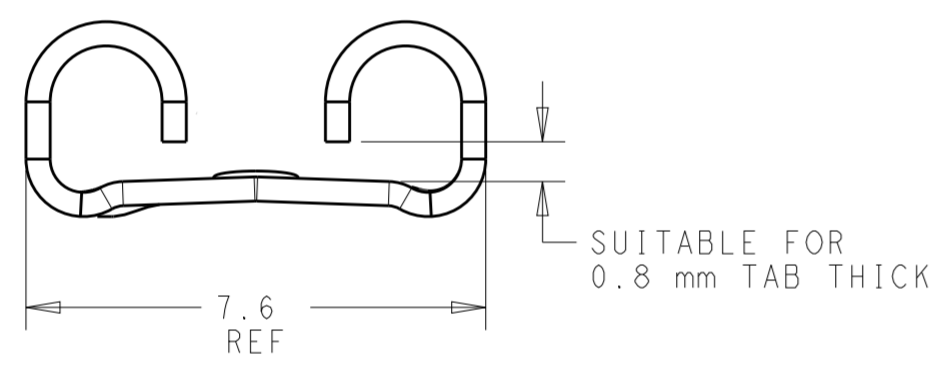


THIS DRAWING IS UNPUBLISHED. RELEASED FOR PUBLICATION
 © COPYRIGHT copyright.d8te- ALL RIGHTS RESERVED.


REVISIONS				
P	LTR	DESCRIPTION	DATE	APVD
L2		REVISED PER ECR-17-009666	04JUL2017	BW FV



- 1 FOR STRIP FORM VERSION SEE DRAWING 180388
- 2 PACKAGE ACCORDING TO AMP SPEC. 107-20201



TIN PLATED	BRASS	0-180430-2
UNPLATED	BRASS	0-180430-1
FINISH/COLOR	MATERIAL	TE P/N

THIS DRAWING IS A CONTROLLED DOCUMENT.		DWN RAVLS 26MAY2017	 TE Connectivity	
DIMENSIONS: mm		CHK VIRDIA FEDERICO 26MAY2017		
TOLERANCES UNLESS OTHERWISE SPECIFIED:		APVD VIRDIA FEDERICO 26MAY2017		
0 PLC ±0.3 1 PLC ± 2 PLC ± 3 PLC ± 4 PLC ± ANGLES ±2° FINISH -		PRODUCT SPEC - APPLICATION SPEC - WEIGHT -		
INS. DIA. RANGE: 2.0-3.3	MATERIAL -	NAME FASTON CONNECTOR .250 sr. FLAG REC. CONTACT (LOOSE PIECE VERSION)		RESTRICTED TO -
WIRE RANGE: 0.5-1.5		SIZE A200779 CAGE CODE C-180430 DRAWING NO. 180430		SCALE 5:1 SHEET 1 OF 1 REV L2
CUSTOMER DRAWING				