

# 080S(M)/080SV(M)

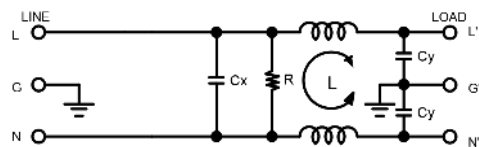
## SNAP-IN SINGLE STAGE IEC INLET FILTER (GENERAL PURPOSE & MEDICAL)

### FEATURES

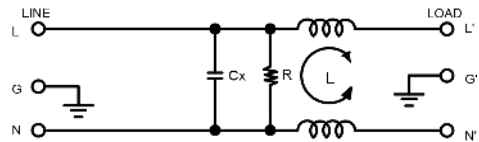
- » Rated currents include **1A, 3A, 6A, 8A, 10A, 15A and 20A**
- » Horizontal Mounting Clips (Top & Bottom)
- » Vertical Mounting Clips (Left & Right)
- » Single Stage
- » Available with quick disconnect tabs and wire leads options
- » General Purpose & Low Leakage (M)edical options
- » Agency Approvals *UL and IEC 60939, CSA C22.2 8-13*
- » Y-cap value can be adjusted

### ELECTRICAL SCHEMATIC

#### 080S/080SV

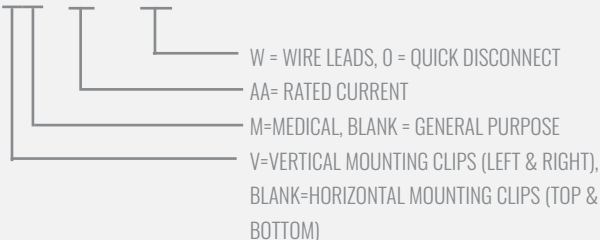


#### 080SM/080SVM



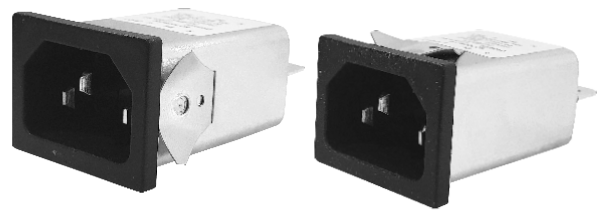
### HOW TO ORDER

080SVM.0AA00.00



**NOTE:** USE ANY COMBINATION OF **V, M, AA** AND **T**

E.G. **080S.00100.00** (1A GENERAL PURPOSE VERSION WITH HORIZONTAL MOUNTING CLIPS) | **080SVM.00300.00** (3A LOW LEAKAGE MEDICAL VERSION WITH VERTICAL MOUNTING CLIPS)



### SPECIFICATIONS

OPERATING FREQUENCY	50/60Hz
IEC INLET	C14: 1-15A, C20:16/20A
MAX. OPERATING VOLTAGE	250VAC +10%
AMBIENT TEMPERATURE	-25 TO 40°C
CLIMATIC CATEGORY	25/100/21
TERMINALS (-T)	0.25" TABS
	W: WIRE LEADS
TYP. WEIGHT, LBS (KG)	0.10 (0.04)

#### TYPICAL LEAKAGE CURRENT 080S/080SV

@ 250 VAC 50 Hz	0 - 0.42 mA Max.
@ 120 VAC 60 Hz	0 - 0.23 mA Max.

#### TYPICAL LEAKAGE CURRENT 080SM/080SVM

@ 250 VAC 50 Hz	0 - 10uA Max.
@ 120 VAC 60 Hz	0 - 5uA Max.

#### HIPOT RATINGS

LINE TO GROUND	2250 VDC
----------------	----------

### TYPICAL APPLICATIONS

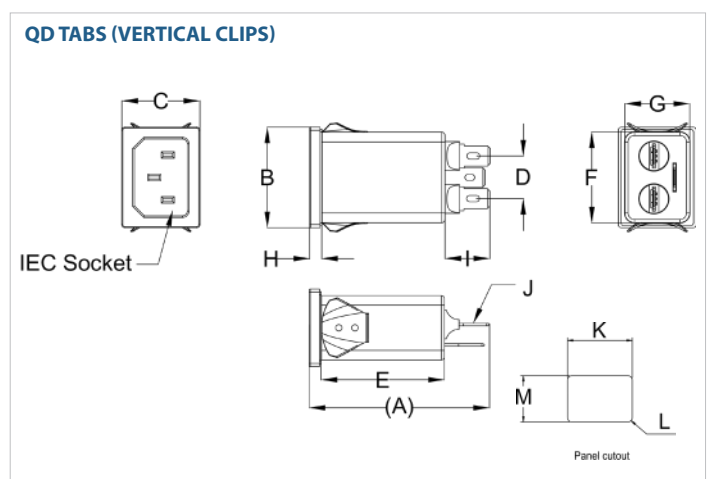
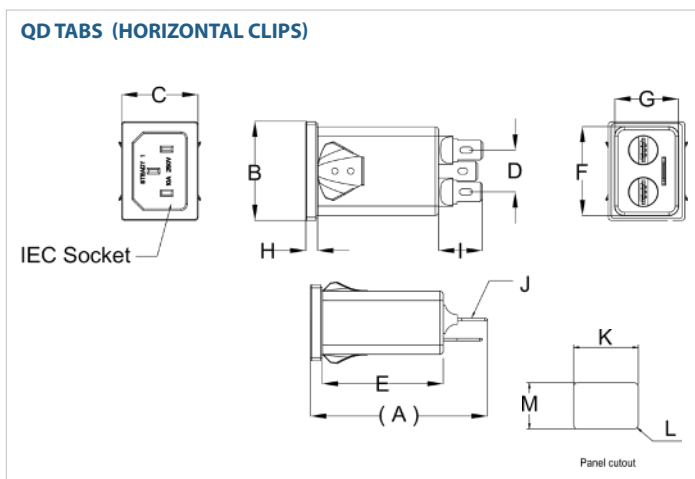
- ✓ Household appliances and equipment
- ✓ Small medical equipment
- ✓ Portable electrical and electronic equipment
- ✓ Test and measurement/lab equipment
- ✓ Rack mounted equipment

# 080S(M)/080SV(M)

**SNAP-IN** SINGLE STAGE IEC INLET FILTER  
(GENERAL PURPOSE & MEDICAL)

MODEL NO.	RATED CURRENT, A @ 40° C	TERMINAL OPTIONS		MOUNTING OPTIONS		MAX. DIMENSIONS" (MM)		
		(QD) OUTPUT	(W) OUTPUT	VERTICAL CLIPS	HORIZONTAL CLIPS	WIDTH	(LENGTH)	HEIGHT
080S(M).00100.00	1	✓	✓		✓	1.22" (31.1)	2.20" (55.94)	0.95" (24.2)
080S(M).00300.00	3	✓	✓		✓	1.22" (31.1)	2.20" (55.94)	0.95" (24.2)
080S(M).00600.00	6	✓	✓		✓	1.22" (31.1)	2.20" (55.94)	0.95" (24.2)
080S(M).00800.00	8	✓	✓		✓	1.22" (31.1)	2.20" (55.94)	0.95" (24.2)
080S(M).01000.00	10	✓	✓		✓	1.22" (31.1)	2.20" (55.94)	0.95" (24.2)
080S(M).01500.00	15	✓	✓		✓	1.22" (31.1)	2.20" (55.94)	0.95" (24.2)
080S(M).02000.00	16/20	✓	✓	✓		1.50" (38)	3.19" (81.1)	1.18" (30)
080SV(M).00100.00	1	✓	✓	✓		1.22" (31.1)	2.20" (55.95)	0.95" (24.2)
080SV(M).00300.00	3	✓	✓	✓		1.22" (31.1)	2.20" (55.95)	0.95" (24.2)
080SV(M).00600.00	6	✓	✓	✓		1.22" (31.1)	2.20" (55.95)	0.95" (24.2)
080SV(M).00800.00	8	✓	✓	✓		1.22" (31.1)	2.20" (55.95)	0.95" (24.2)
080SV(M).01000.00	10	✓	✓	✓		1.22" (31.1)	2.20" (55.95)	0.95" (24.2)
080SV(M).01500.00	15	✓	✓	✓		1.22" (31.1)	2.20" (55.95)	0.95" (24.2)

## 080SH(M)/080SVH(M) MECHANICAL OUTLINES (MM)



# 080S(M)/080SV(M)

## SNAP-IN SINGLE STAGE IEC INLET FILTER (GENERAL PURPOSE & MEDICAL)

SERIES	(A)	B	C	D	E	F	G	H	I	J	K	L	M
<b>QD TABS (H) (1-15A)</b>	2.20" (55.94)	1.22" (31.1)	0.95" (24.2)	0.52" (13.3)	1.51" (38.25)	1.11" (28.2)	0.79" (20.1)	0.15" (3.7)	0.55" (13.9)	6.3*0.8 Terminal	1.12" (28.5)	(R≤1.5)	0.86" (21.90)
<b>QD TABS (V) (1-15A)</b>	2.20" (56)	1.22" (31.1)	0.95" (24.2)	0.52" (13.3)	1.51" (38.25)	1.11" (28.2)	0.79" (20.1)	0.15" (3.7)	0.55" (14)	6.3*0.8 Terminal	1.16" (29.40)	(R≤1.5)	0.82" (20.80)
<b>QD TABS (20A)</b>	3.19" (81.1)	1.50" (38)	1.18" (30)	0.59" (15.1)	2.59" (65.9)	1.34" (34.0)	1.02" (26.0)	0.14" (3.6)	0.46" (11.6)	6.3*0.8 Terminal	1.38" (35)	(4XR1)	1.04" (26.5)

TYPICAL TOLERANCE: +/-0.02" (0.50MM)

### TYPICAL INSERTION LOSS, dB (50/50 Ohm)

#### 080S / 080SV INSERTION LOSS

Amps	Freq (MHz)	0.15	0.5	1	10	30
<b>1</b>	CM (dB)	40.31	50.95	45.93	42.92	60.01
	DM (dB)	13.33	27.77	37.73	78.41	65.68
<b>3</b>	CM (dB)	32.61	44.36	45.69	44.24	30.73
	DM (dB)	12.73	24.1	31.33	62.79	62.99
<b>6</b>	CM (dB)	22.17	31.61	36.64	46.72	34.63
	DM (dB)	12.68	23.23	28.39	66.53	49.71
<b>8</b>	CM (dB)	13.96	23.52	29.02	33.78	26.55
	DM (dB)	12.61	23.27	28.79	57.02	50.79
<b>10</b>	CM (dB)	11.73	21.17	26.45	41.18	51.11
	DM (dB)	12.76	23.43	28.97	53.5	51.01
<b>15</b>	CM (dB)	5.97	14.96	20.24	31.01	11.23
	DM (dB)	13.01	23.42	28.24	41.43	39.12
<b>16/20</b>	CM (dB)	*	*	*	*	*
	DM (dB)	*	*	*	*	*

\*Contact factory for 20A insertion loss data.

# 080S(M)/080SV(M)

**SNAP-IN** SINGLE STAGE IEC INLET FILTER  
(GENERAL PURPOSE & MEDICAL)

## TYPICAL INSERTION LOSS, dB (50/50 Ohm)

### 080SM / 080SVM INSERTION LOSS

Amps	Freq (MHz)	0.15	0.5	1	10	30
<b>1</b>	CM (dB)	40.26	49.79	42.42	19.57	2.9
	DM (dB)	13.59	28.71	38.23	76.44	45.24
<b>3</b>	CM (dB)	32.6	43	41.92	19.19	1.24
	DM (dB)	12.8	25.22	33.32	55.53	60.99
<b>6</b>	CM (dB)	22.23	30.49	32.96	24.17	13.08
	DM (dB)	12.6	23.56	29.97	47.7	43.39
<b>8</b>	CM (dB)	14.04	22.29	25.28	19.85	13.04
	DM (dB)	12.52	23.38	29.41	38.79	33.23
<b>10</b>	CM (dB)	11.98	20.1	22.86	17.75	11.2
	DM (dB)	12.65	23.47	29.36	39.34	32.69
<b>15</b>	CM (dB)	6.56	13.91	16.43	11.72	5.03
	DM (dB)	13.1	23.55	28.49	32.63	31.2
<b>16/20</b>	CM (dB)	*	*	*	*	*
	DM (dB)	*	*	*	*	*

\*Contact factory for 20A insertion loss data.