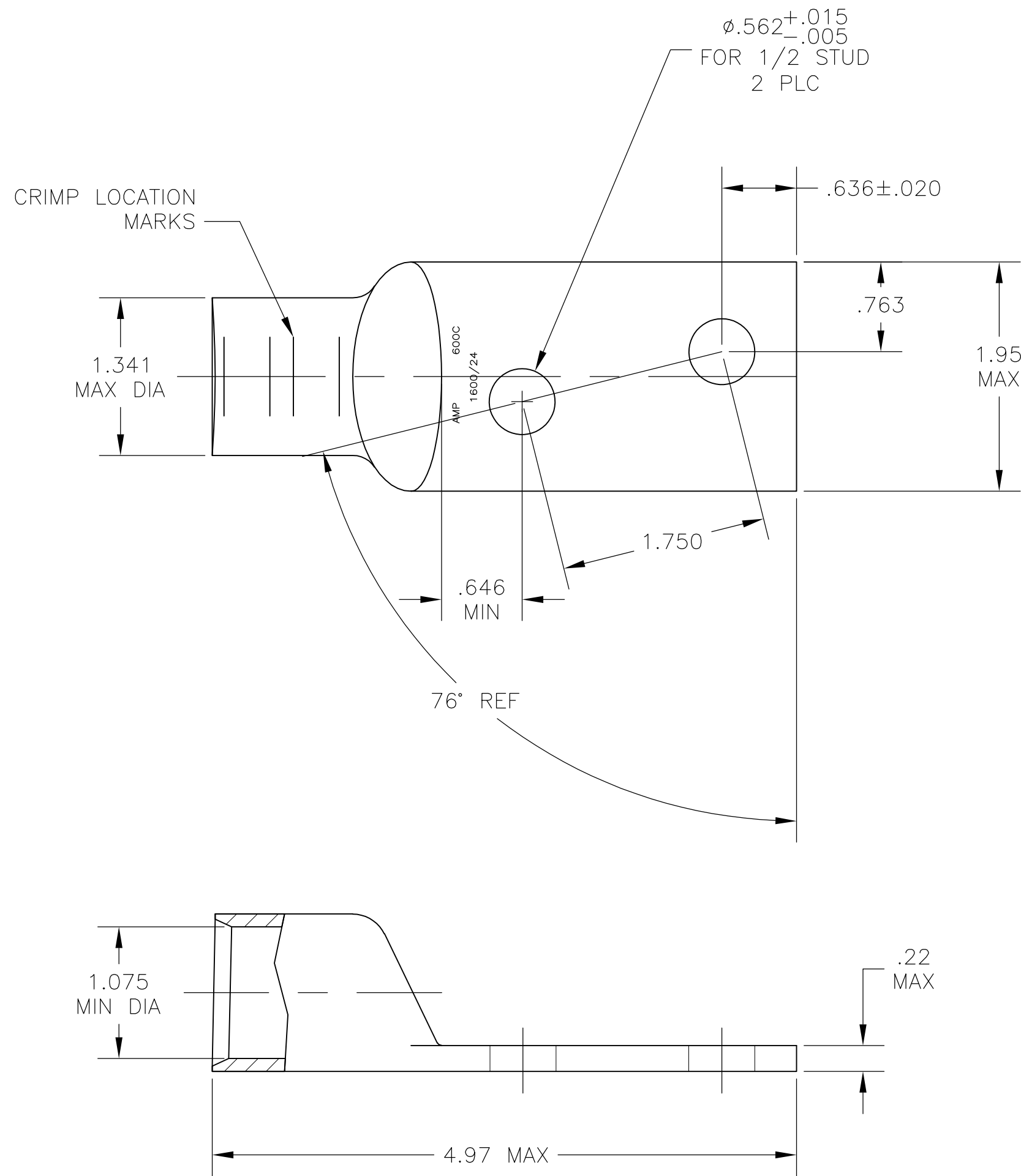


THIS DRAWING IS UNPUBLISHED. RELEASED FOR PUBLICATION
 © COPYRIGHT BY TYCO ELECTRONICS CORPORATION. ALL RIGHTS RESERVED.

LOC	DIST	REVISIONS					
G	86	P	LTR	DESCRIPTION	DATE	DWN	APVD
		A2		REV PER ECR 08-026048	17OCT08	JR	CK



- 1 CIRCULAR MIL RANGE: 550-650 MCM
- 2 .000150 MIN TIN PLATE PER ASTM B-545
- 3 COPPER PER ASTM B-75, ANNEALED

696942-1
 PART NO.

THIS DRAWING IS A CONTROLLED DOCUMENT.		DWN JR RUTH 09FEB06	Tyco Electronics Corporation Harrisburg, PA 17105-3608	
DIMENSIONS: INCHES		CHK MJ SPICER 09FEB06		
TOLERANCES UNLESS OTHERWISE SPECIFIED:		APVD MJ SPICER 09FEB06	NAME TERMINAL, AMPPOWER, WIRE SIZE: 600 MCM	
0 PLC ± - 1 PLC ± - 2 PLC ± .02 3 PLC ± .010 4 PLC ± - ANGLES ± 2°		PRODUCT SPEC 108-30200	SIZE	RESTRICTED TO
MATERIAL		APPLICATION SPEC	CAGE CODE A2 00779	DRAWING NO C=696942
FINISH		WEIGHT .574 LB	SCALE 1:1	SHEET 1 of 1
		CUSTOMER DRAWING	REV A2	

696942