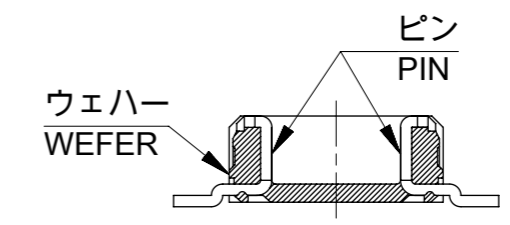
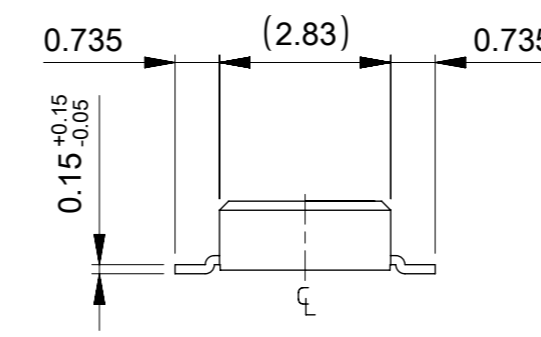
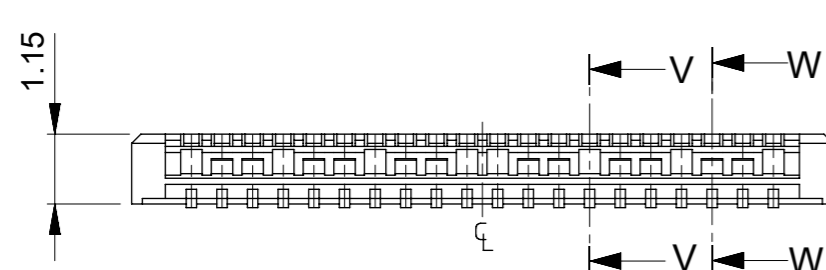
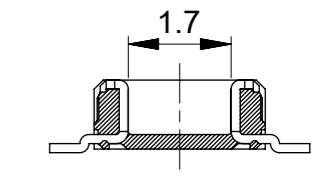


参考基板レイアウト (マウント面)
P.C. BOARD PATTERN
DIMENSION. (REF.)
(MOUNTING AREA)

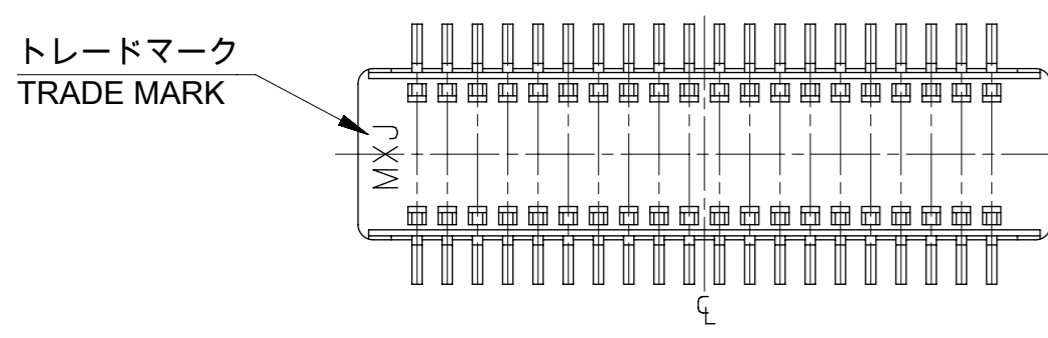


SECTION W-W (LOCK PART)



SECTION V-V (W/O LOCK PART)

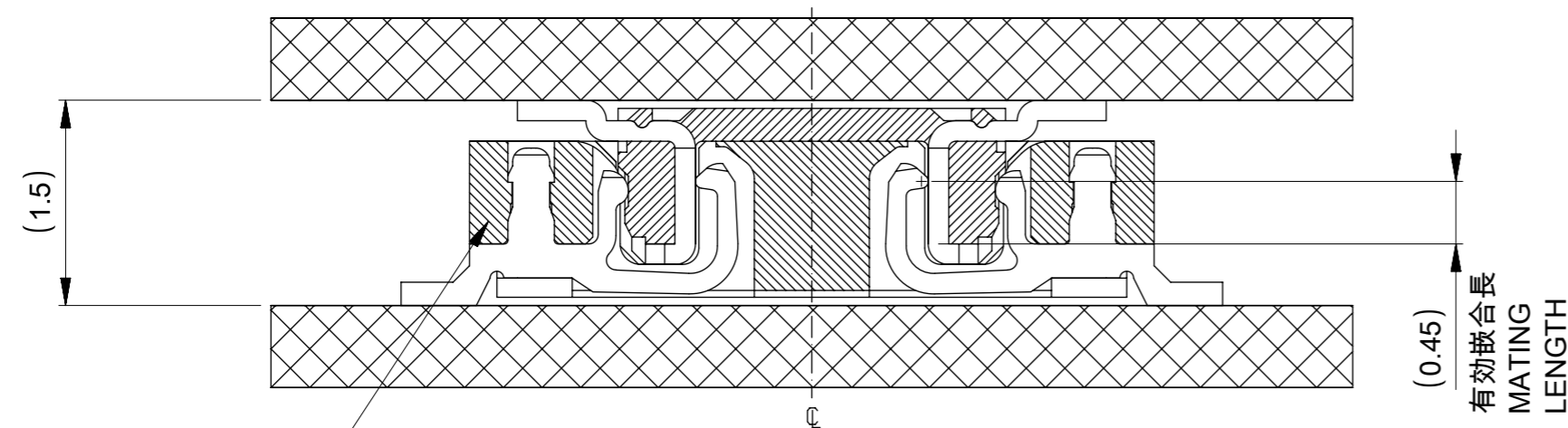
LOCK POSITION 1 2 3 N-2N-1N



NON	20.55	19.5	21.45	55560-0807	80
10,21	15.55	14.5	16.45	55560-0607	60
2,4,8,10,16,18,22,24	13.05	12.0	13.95	55560-0507	50
2,3,5,6,8,9,12,13,15,16,18,19	10.55	9.5	11.45	55560-0407	40
2,3,4,5,8,9,10,11,14,15,16,17	9.55	8.5	10.45	55560-0367	36
2,3,4,5,7,8,9,10,11,13,14,15,16	9.05	8.0	9.95	55560-0347	34
ALL	8.05	7.0	8.95	55560-0307	30
	6.55	5.5	7.45	55560-0247	24
	6.05	5.0	6.95	55560-0227	22
				55560-0228	
	5.55	4.5	6.45	55560-0207	20
4.55	3.5	5.45	55560-0168	16	
LOCK POSITION	C	B	A	Emboss tape Package ORDER No. オーダー番号	極数 CIRCUIT

CONNECTOR SERIES No. 55560-***1

THIS DRAWING CONTAINS INFORMATION THAT IS PROPRIETARY TO MOLEX ELECTRONIC TECHNOLOGIES, LLC AND SHOULD NOT BE USED WITHOUT WRITTEN PERMISSION DIMENSION UNITS: mm SCALE: 8:1 CURRENT REV DESC: REVISED									
GENERAL TOLERANCES (UNLESS SPECIFIED) 10 ^{UNDER} : ±0.2 10 ^{OVER} 30 ^{UNDER} : ±0.25 30 ^{OVER} : ±0.3 ANGULAR±3°				EC NO: 642297 DRWN: RMV02 CHK'D: HSHIMOYAMA APPR: SHOSHIKAWA INITIAL REVISION: DRWN: SAIHARA APPR: MSASAO					
DRAFT WHERE APPLICABLE MUST REMAIN WITHIN DIMENSIONS		THIRD ANGLE PROJECTION		EC NO: 642297 DRWN: RMV02 CHK'D: HSHIMOYAMA APPR: SHOSHIKAWA INITIAL REVISION: DRWN: SAIHARA APPR: MSASAO		2020/07/21 2020/11/30 2020/11/30 2003/03/31 2003/03/31		PRODUCT CUSTOMER DRAWING DOCUMENT NUMBER: SD-55560-006 DOC TYPE: PSD DOC PART: 001 REVISION: M	
MATERIAL NUMBER: SEE TABLE		CUSTOMER: GENERAL		SHEET NUMBER: 1 OF 2					



嵌合相手 MATE WITH
54722-***4

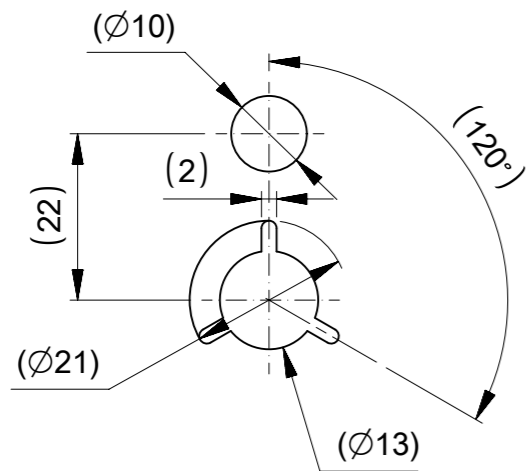
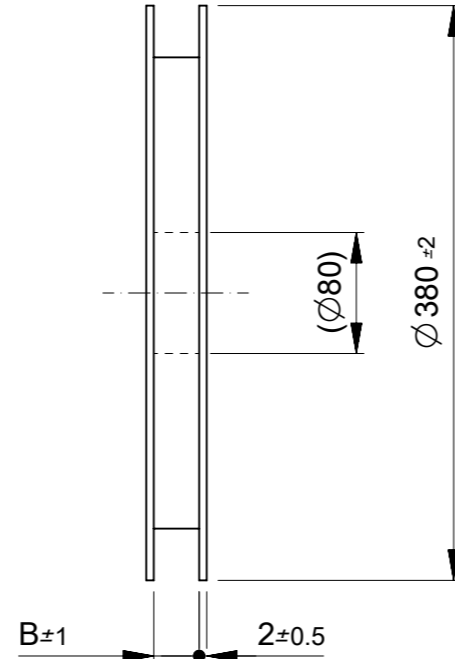
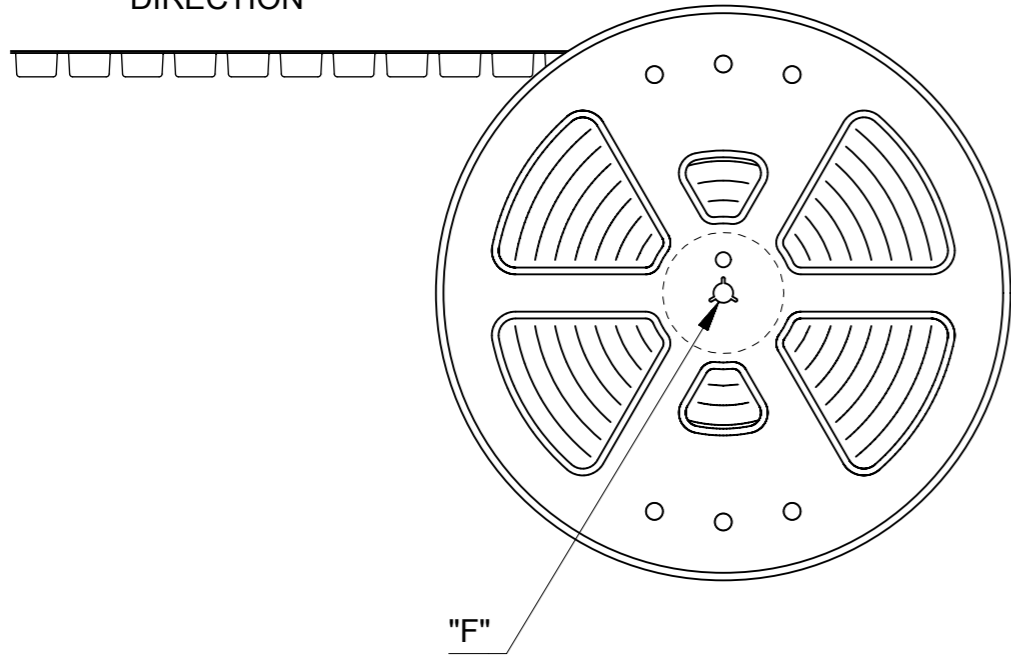
嵌合断面図 (参考)
MATED DRAWING (REF.)

注記 NOTES:

1. 使用材料 MATERIAL
 ウェハー : 液晶ポリマーガラス充填, UL94V-0 (黒)
 WAFER : LIQUID CRYSTRAL POLYMER
 (GLASS FILLED),UL94V-0 (COLOR:BLACK)
 ピン : 黄銅 (t=0.15)
 PIN : BRASS(t=0.15)
2. メッキ仕様 PLATING
 金メッキ 0.25 MICROMETER MINIMUM (コンタクト部)
 GOLD 0.25 MICROMETER MINIMUM (CONTACT AREA).
 金メッキ 0.4 MICROMETER MAXIMUM (テール部)
 GOLD 0.4 MICROMETER MAXIMUM (TAIL AREA).
 下地メッキ: ニッケルメッキ 1.5 MICROMETER MINIMUM
 UNDER PLATING : NICKEL 1.5 MICROMETER MINIMUM.
3. (全極数 / 2) = 偶数の場合に適用.
 APPLY FOR (CIRCUIT/2) = EVEN.
4. 嵌合相手 : 54722 シリーズ (嵌合高さ = 1.5mm)
 MATE WITH: 54722 SERIES.(HEIGHT=1.5mm)
5. テール平坦度は、0.1 MAXIMUM
 TAIL COPLANARITY TO BE 0.1 MAXIMUM.

THIS DRAWING CONTAINS INFORMATION THAT IS PROPRIETARY TO MOLEX ELECTRONIC TECHNOLOGIES, LLC AND SHOULD NOT BE USED WITHOUT WRITTEN PERMISSION		CURRENT REV DESC: REVISED		molex	
DIMENSION UNITS mm	SCALE 20:1	EC NO: 642297 DRWN: RMV02 CHK'D: HSHIMOYAMA APPR: SHOSHIKAWA			
GENERAL TOLERANCES (UNLESS SPECIFIED)		GENERAL TOLERANCES (UNLESS SPECIFIED)		PRODUCT CUSTOMER DRAWING	
10 ^{UNDER}	±0.2	4 PLACES	±	INITIAL REVISION:	DOCUMENT NUMBER
10 ^{OVER} 30 ^{UNDER}	±0.25	3 PLACES	±	DRWN: SAIHARA	SD-55560-006
30 ^{OVER}	±0.3	2 PLACES	±	APPR: MSASAO	PSD 001 M
ANGULAR+3°		1 PLACE	±	2020/07/21	DOC TYPE
		0 PLACES	±	2020/11/30	DOC PART
DRAFT WHERE APPLICABLE MUST REMAIN WITHIN DIMENSIONS	DRAFT WHERE APPLICABLE MUST REMAIN WITHIN DIMENSIONS	THIRD ANGLE PROJECTION	DRAWING	SERIES	MATERIAL NUMBER
			A3-SIZE	55560	SEE SHEET 1
				CUSTOMER	SHEET NUMBER
				GENERAL	2 OF 2

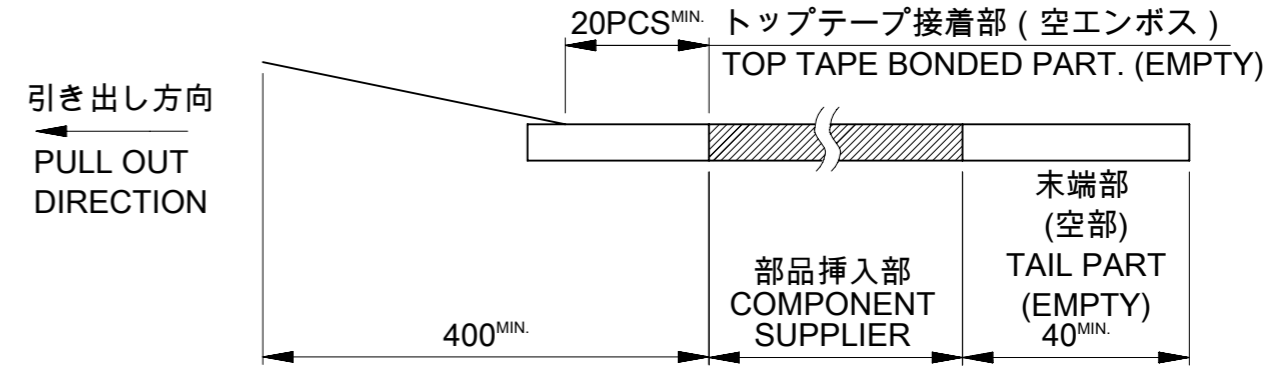
引き出し方向
PULL OUT
DIRECTION



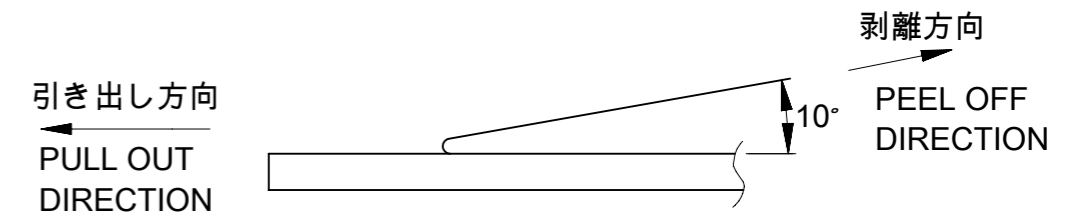
DETAIL "F"

NOTE

- 製品詳細寸法については図面 SD-55560-006 を参照下さい。
DETAIL DIMENSIONS, SEE SD-55560-006
- 梱包数量 : 3000個 / リール
NUMBER OF CONNECTORS : 3000PCS/REEL
- リードテープ長さ LEAD TAPE LENGTH



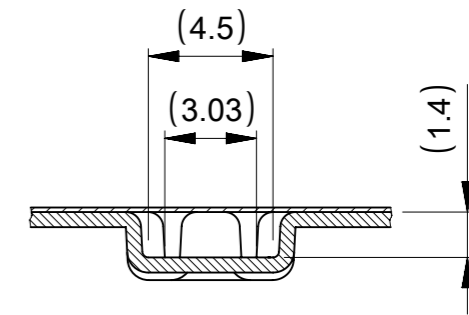
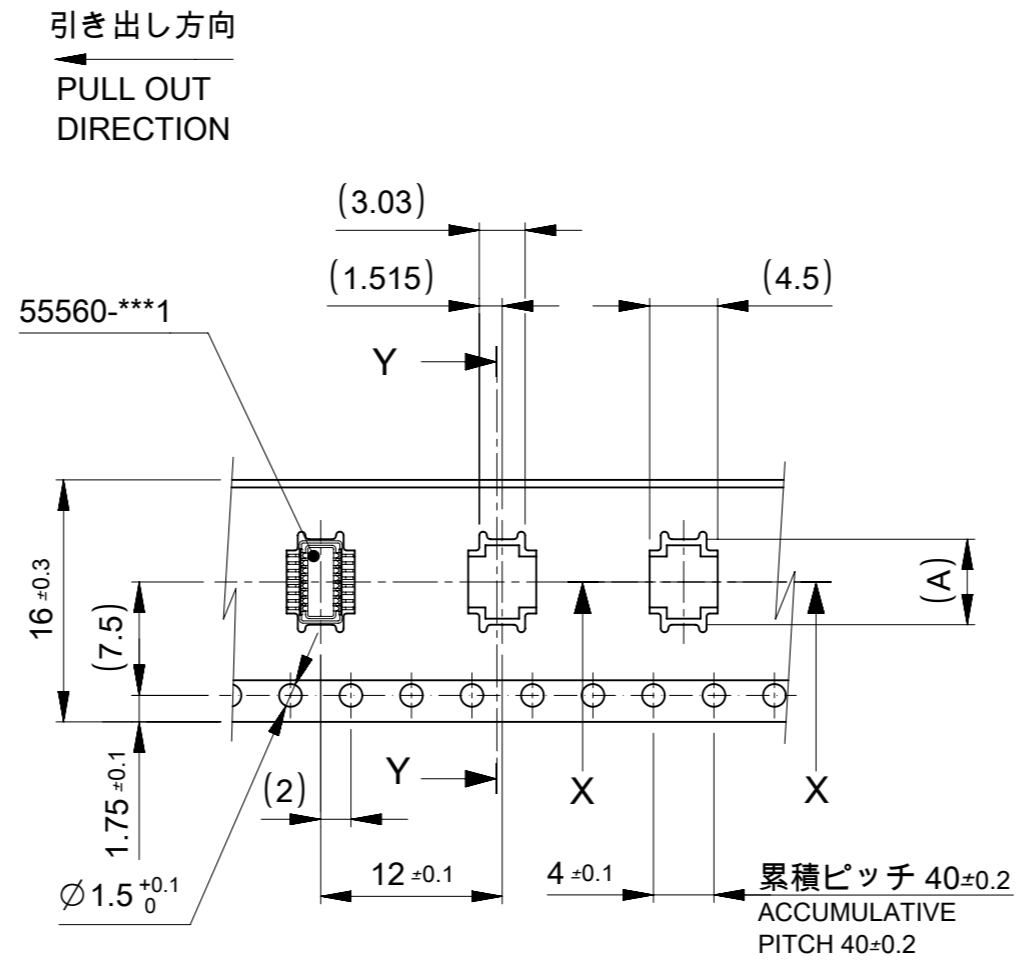
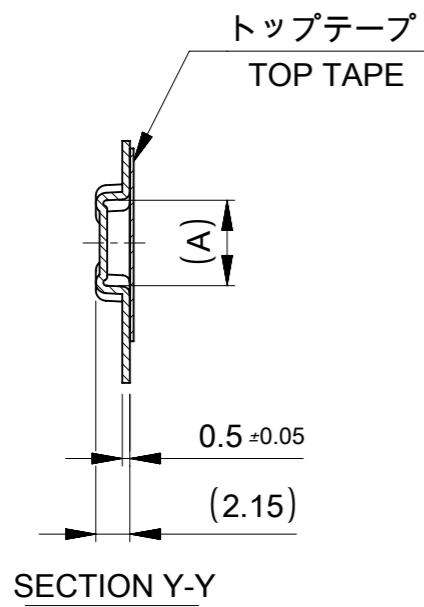
- トップテープの剥離強度 : 0.1N~0.7N(10.2gf~71.4gf)
(剥離方向は下図参照)
尚、本規格値は出荷時に適用。(但し、輸送時に剥離が発生しないこと.)
PEELING OFF FORCE OF TOP TAPE : 0.1N~0.7N(10.2gf~71.4gf)
(PEELING DIRECTION AS SHOWN IN FOLLOWING FIG.)
THIS REQUIREMENT SHOULD BE APPLIED AT SHIPMENT.
PEEL OFF SHOULD NOT BE ALLOWED, DURING TRANSPORTATION.



- 材料 キャリアテープ : ポリプロピレン (PP)
トップテープ : PET, PE, PEF
リール : ポリスチレン (PS) <リサイクル材を含む>
MATERIAL CARRIER TAPE : POLYPROPYLENE
TOP TAPE : PET, PE, PEF
REEL : POLYSTYRENE(PS)
< RECYCLE MATERIAL CONTAINED >

THIS DRAWING CONTAINS INFORMATION THAT IS PROPRIETARY TO MOLEX ELECTRONIC TECHNOLOGIES, LLC AND SHOULD NOT BE USED WITHOUT WRITTEN PERMISSION

DIMENSION UNITS		SCALE		CURRENT REV DESC: REVISED		molex	
mm		NTS					
GENERAL TOLERANCES (UNLESS SPECIFIED)				GENERAL TOLERANCES (UNLESS SPECIFIED)			
ANGULAR TOL		±		°			
4 PLACES		±					
3 PLACES		±					
2 PLACES		±					
1 PLACE		±					
0 PLACES		±					
GENERAL TOLERANCES (UNLESS SPECIFIED)				GENERAL TOLERANCES (UNLESS SPECIFIED)			
10 ^{UNDER}		±0.2		3 PLACES			
10 ^{OVER} 30 ^{UNDER}		±0.25		2 PLACES			
30 ^{OVER}		±0.3		1 PLACE			
ANGULAR ±3°		0 PLACES		±			
DRAFT WHERE APPLICABLE MUST REMAIN WITHIN DIMENSIONS				DRAFT WHERE APPLICABLE MUST REMAIN WITHIN DIMENSIONS			
THIRD ANGLE PROJECTION				DRAWING			
A3-SIZE				SERIES			
55560				MATERIAL NUMBER			
SEE SHEET 2-5				CUSTOMER			
GENERAL				SHEET NUMBER			
1 OF 5							



SECTION X-X
SCALE 5:1

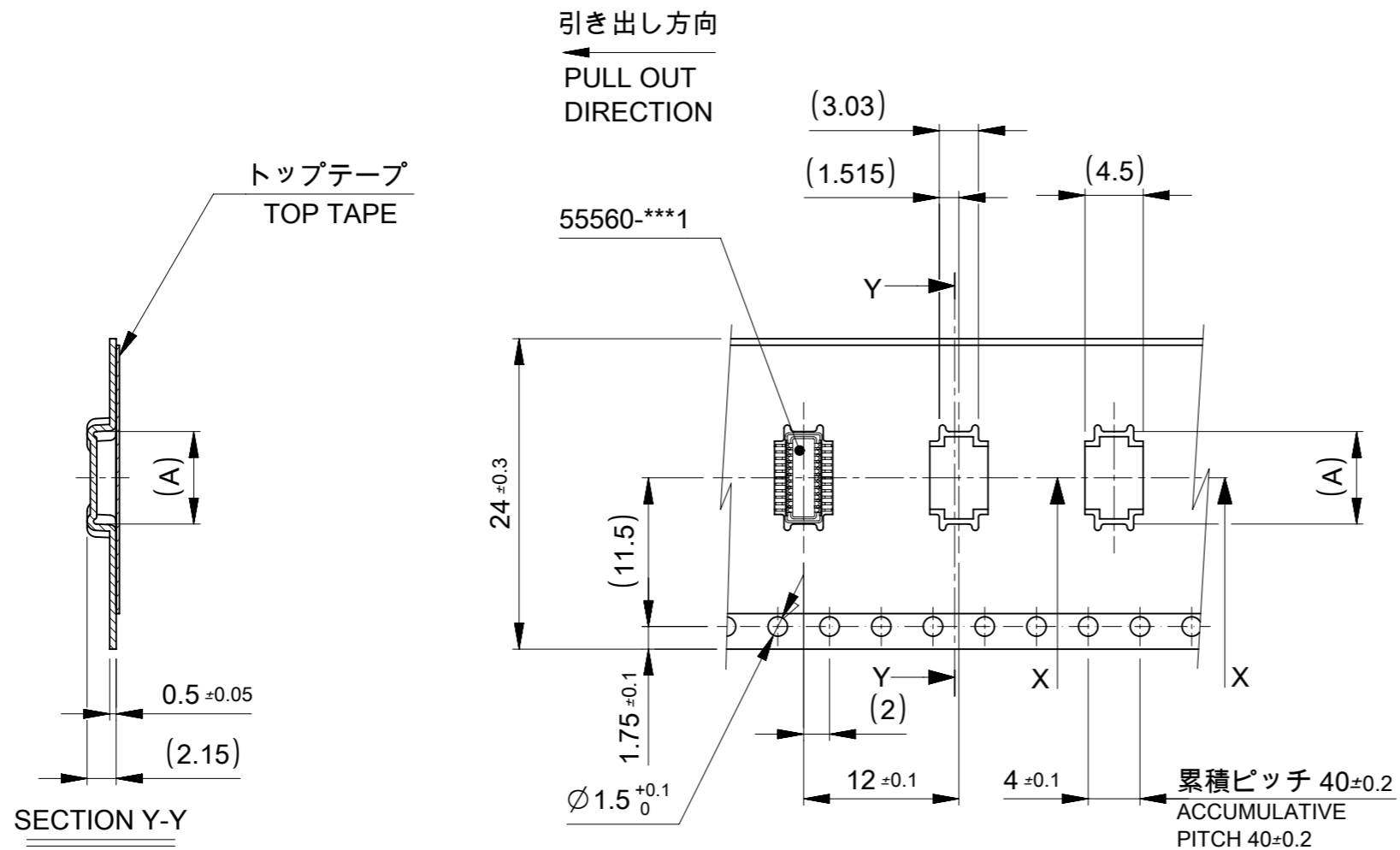
16 mm幅キャリアテープ
16mm WIDTH CARRIER TAPE

PRE-RELEASE
REFERENCE
USE ONLY

16	17.5	6.65	55560-0207	20
キャリアテープ幅 CARRIER TAPE WIDTH	B	(A)	MATERIAL NO.	極数 CIRCUIT

THIS DRAWING CONTAINS INFORMATION THAT IS PROPRIETARY TO MOLEX ELECTRONIC TECHNOLOGIES, LLC AND SHOULD NOT BE USED WITHOUT WRITTEN PERMISSION		CURRENT REV DESC: REVISED		molex	
DIMENSION UNITS mm	SCALE NTS				
GENERAL TOLERANCES (UNLESS SPECIFIED)		GENERAL TOLERANCES (UNLESS SPECIFIED)		0.5 MM PITCH B-TO-B CONN. HEIGHT = 1.5 PLUG EMBOSS TAPE PACKAGE	
ANGULAR TOL ± °		ANGULAR TOL ± °		PRODUCT CUSTOMER DRAWING	
4 PLACES ±		4 PLACES ±		DOCUMENT NUMBER	
3 PLACES ±		3 PLACES ±		SD-55560-007	
2 PLACES ±		2 PLACES ±		DOC TYPE	
1 PLACE ±		1 PLACE ±		PSD	
0 PLACES ±		0 PLACES ±		DOC PART	
ANGULAR+3°		ANGULAR+3°		001	
DRAFT WHERE APPLICABLE MUST REMAIN WITHIN DIMENSIONS		DRAFT WHERE APPLICABLE MUST REMAIN WITHIN DIMENSIONS		REVISION	
		THIRD ANGLE PROJECTION		L	
		DRAWING		SHEET NUMBER	
		A3-SIZE		2 OF 5	
		SERIES		MATERIAL NUMBER	
		55560		SEE TABLE	
		CUSTOMER		GENERAL	

DOCUMENT STATUS	RELEASE DATE
-----------------	--------------



24 mm幅キャリアテープ
24mm WIDTH CARRIER TAPE

PRE-RELEASE
REFERENCE
USE ONLY

24	25.5	14.15	55560-0507	50	
		11.65	55560-0407	40	
		10.65	55560-0367	36	
		10.15	55560-0347	34	
		9.15	55560-0307	30	
		7.65	55560-0247	24	
		7.15	55560-0227	22	
キャリアテープ幅 CARRIER TAPE WIDTH		B	(A)	MATERIAL NO.	極数 CIRCUIT

THIS DRAWING CONTAINS INFORMATION THAT IS PROPRIETARY TO MOLEX ELECTRONIC TECHNOLOGIES, LLC AND SHOULD NOT BE USED WITHOUT WRITTEN PERMISSION

CURRENT REV DESC: REVISED

molex

0.5 MM PITCH B-TO-B CONN.
HEIGHT = 1.5 PLUG EMBOSS TAPE PACKAGE

PRODUCT CUSTOMER DRAWING

EC NO: 642297
DRWN: SCV
CHK'D: HSHIMUYAMA
APPR: SHOSHIKAWA

INITIAL REVISION:
DRWN: S.AIHARA
APPR: M.FUKUSHIMA

2020/07/27
2020/11/30
2020/11/30

2000/11/28
2001/01/30

DOCUMENT NUMBER: SD-55560-007
DOC TYPE: PSD
DOC PART: 001
REVISION: L

DIMENSION UNITS: mm
SCALE: NTS

GENERAL TOLERANCES (UNLESS SPECIFIED)

10 ^{UNDER}	±0.2
10 ^{OVER} 30 ^{UNDER}	±0.25
30 ^{OVER}	±0.3

ANGULAR TOL ± °

4 PLACES	±
3 PLACES	±
2 PLACES	±
1 PLACE	±
0 PLACES	±

DRAFT WHERE APPLICABLE MUST REMAIN WITHIN DIMENSIONS

THIRD ANGLE PROJECTION

DRAWING: A3-SIZE

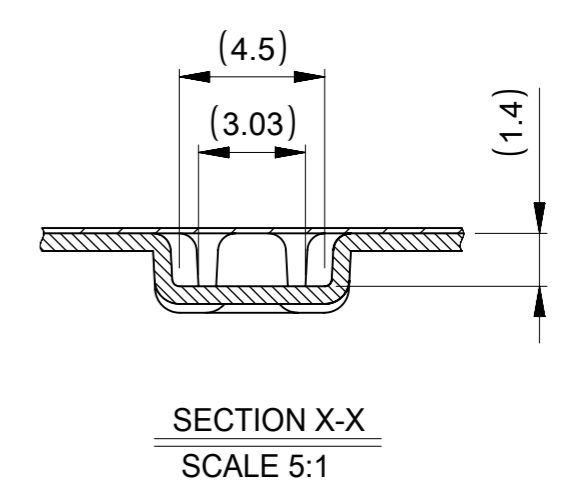
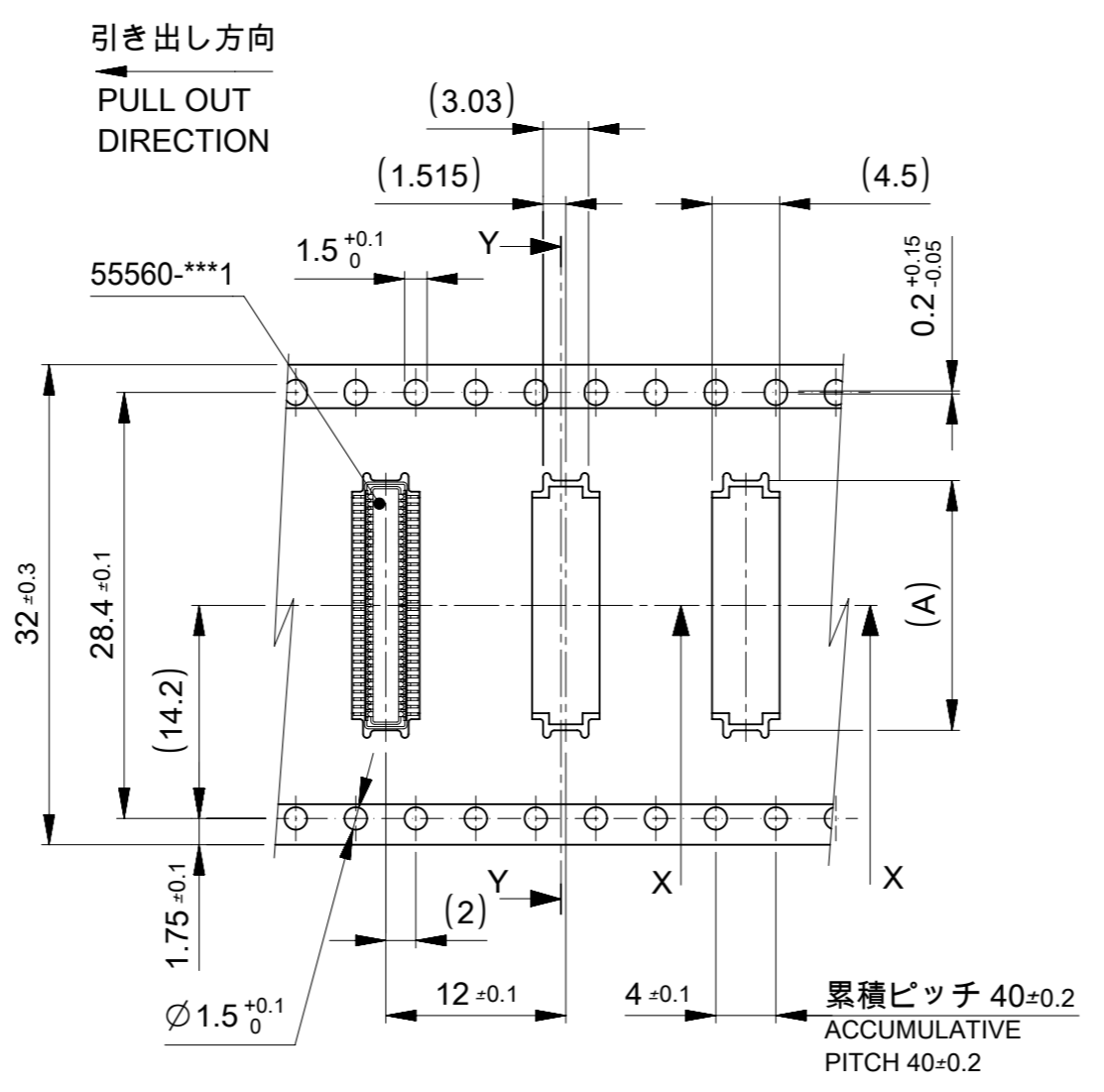
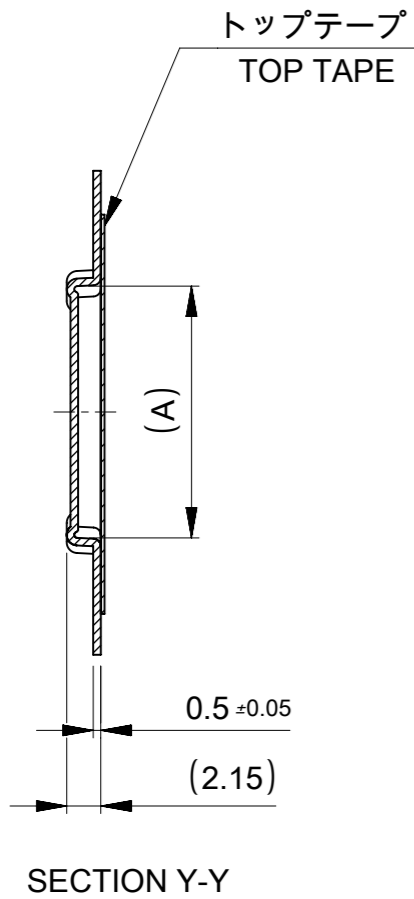
SERIES: 55560

MATERIAL NUMBER: SEE TABLE

CUSTOMER: GENERAL

SHEET NUMBER: 3 OF 5

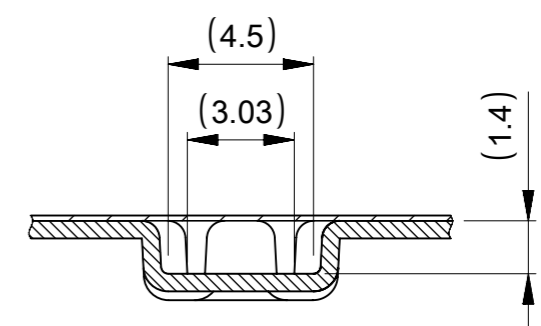
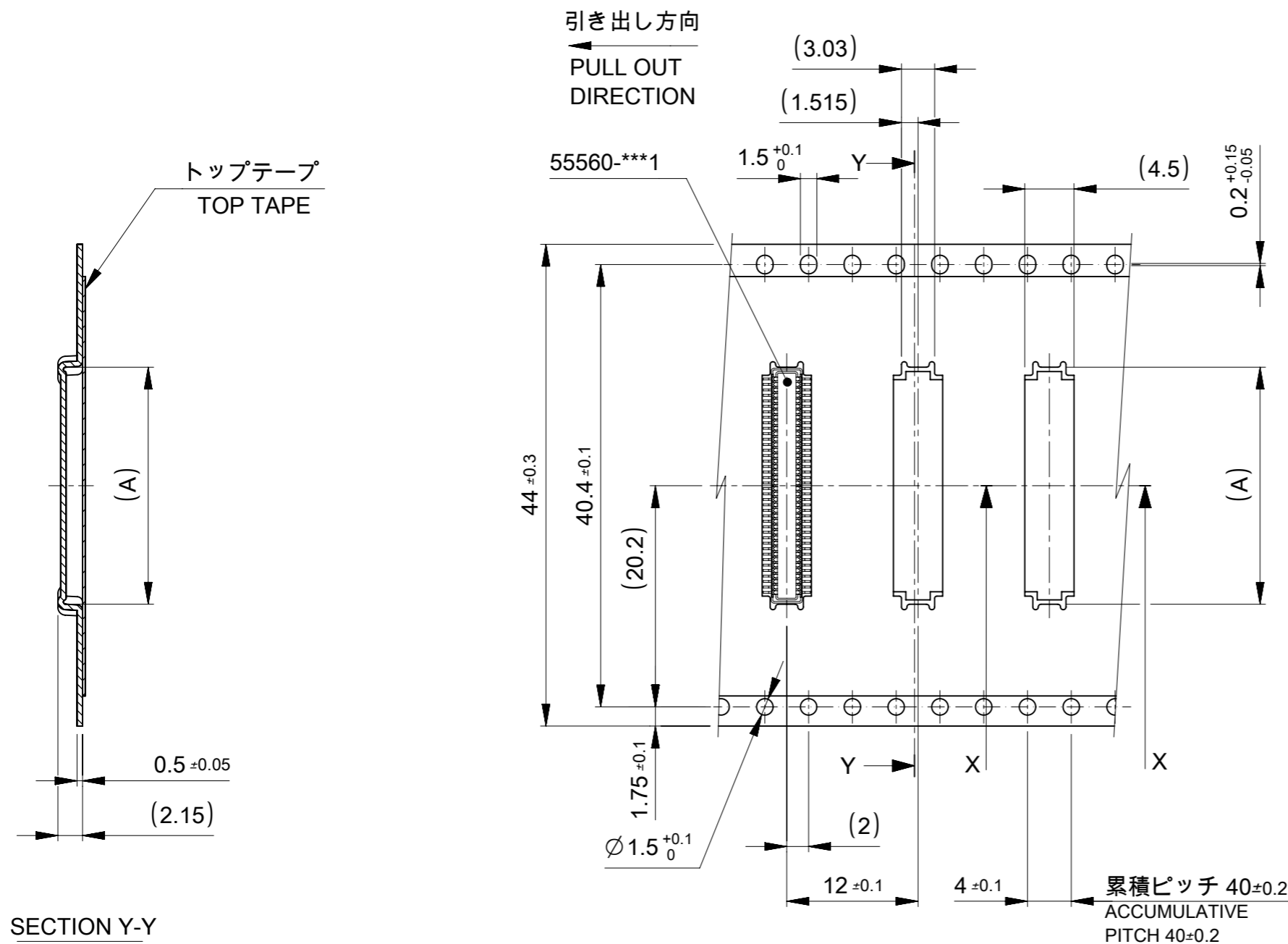
DOCUMENT STATUS	RELEASE DATE
-----------------	--------------



32 mm幅キャリアテープ
32mm WIDTH CARRIER TAPE

32	33.5	16.65	55560-0607	60
キャリアテープ幅 CARRIER TAPE WIDTH		B	(A)	極数 CIRCUIT

THIS DRAWING CONTAINS INFORMATION THAT IS PROPRIETARY TO MOLEX ELECTRONIC TECHNOLOGIES, LLC AND SHOULD NOT BE USED WITHOUT WRITTEN PERMISSION		CURRENT REV DESC: REVISED		molex	
DIMENSION UNITS	SCALE	EC NO: 642297			
mm	NTS	DRWN: SCV		0.5 MM PITCH B-TO-B CONN. HEIGHT = 1.5 PLUG EMBOSS TAPE PACKAGE	
GENERAL TOLERANCES (UNLESS SPECIFIED)		CHK'D: HSHIMUYAMA		2020/07/27	
ANGULAR TOL ± °		APPR: SHOSHIKAWA		2020/11/30	
4 PLACES ±		INITIAL REVISION:		PRODUCT CUSTOMER DRAWING	
3 PLACES ±		DRWN: S.AIHARA		DOCUMENT NUMBER	
2 PLACES ±		APPR: M.SASAO		SD-55560-007	
1 PLACE ±		2000/10/06		DOC TYPE	
0 PLACES ±		2003/03/31		PSD	
DRAFT WHERE APPLICABLE MUST REMAIN WITHIN DIMENSIONS		THIRD ANGLE PROJECTION		DOC PART	
DRAFT WHERE APPLICABLE MUST REMAIN WITHIN DIMENSIONS		DRAWING		001	
		A3-SIZE		REVISION	
		SERIES		L	
		MATERIAL NUMBER		SHEET NUMBER	
		CUSTOMER		4 OF 5	
		GENERAL			



SECTION X-X
SCALE 5:1

44 mm幅キャリアテープ
44mm WIDTH CARRIER TAPE

44	45.5	21.65	55560-0807	80
キャリアテープ幅 CARRIER TAPE WIDTH		B	(A)	極数 CIRCUIT

THIS DRAWING CONTAINS INFORMATION THAT IS PROPRIETARY TO MOLEX ELECTRONIC TECHNOLOGIES, LLC AND SHOULD NOT BE USED WITHOUT WRITTEN PERMISSION				
DIMENSION UNITS mm		SCALE NTS		
CURRENT REV DESC: REVISED				
molex				
0.5 MM PITCH B-TO-B CONN. HEIGHT = 1.5 PLUG EMBOSS TAPE PACKAGE				
PRODUCT CUSTOMER DRAWING				
GENERAL TOLERANCES (UNLESS SPECIFIED)		EC NO: 642297		
ANGULAR TOL ± °		DRWN: SCV 2020/07/27		
4 PLACES ±		CHK'D: HSHIMUYAMA 2020/11/30		
3 PLACES ±		APPR: SHOSHIKAWA 2020/11/30		
2 PLACES ±		INITIAL REVISION:		
1 PLACE ±		DRWN: S.AIHARA 2000/10/06		
0 PLACES ±		APPR: M.SASAO 2003/03/31		
DRAFT WHERE APPLICABLE MUST REMAIN WITHIN DIMENSIONS		THIRD ANGLE PROJECTION		SHEET NUMBER
DRAFT WHERE APPLICABLE MUST REMAIN WITHIN DIMENSIONS		DRAWING A3-SIZE		5 OF 5
SERIES 55560		MATERIAL NUMBER SEE TABLE		CUSTOMER GENERAL
DOCUMENT NUMBER SD-55560-007		DOC TYPE PSD		DOC PART 001
REVISION L				