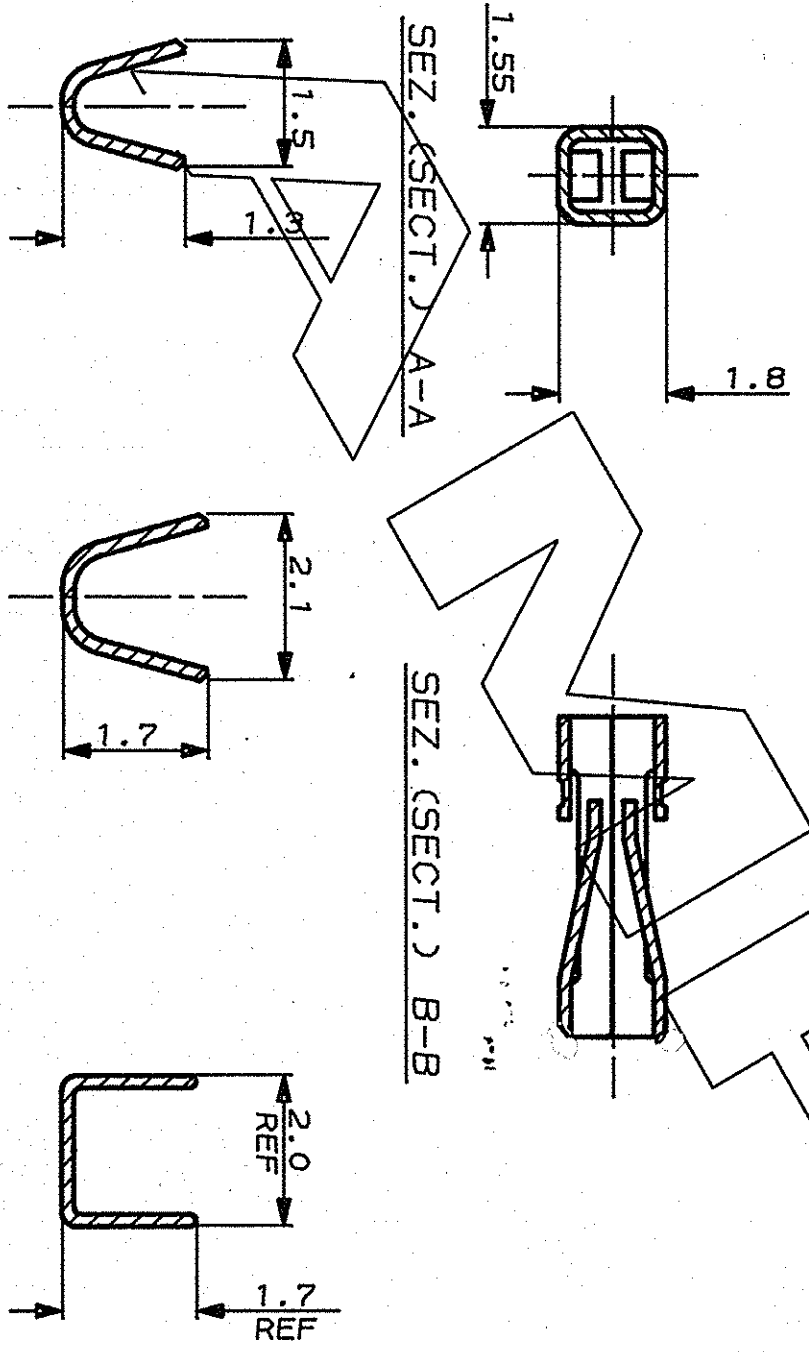
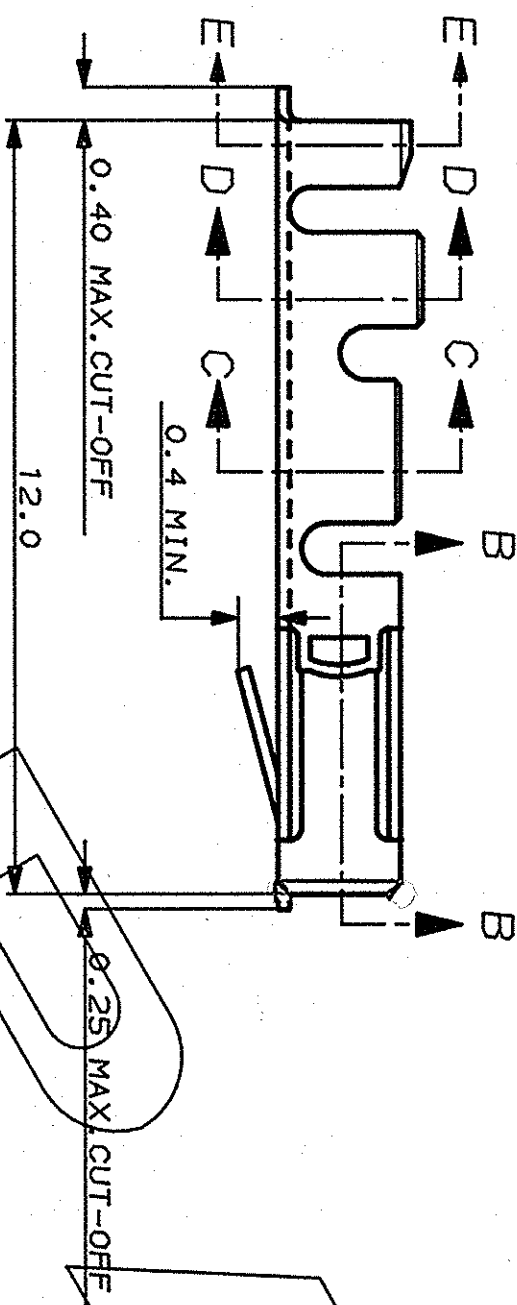
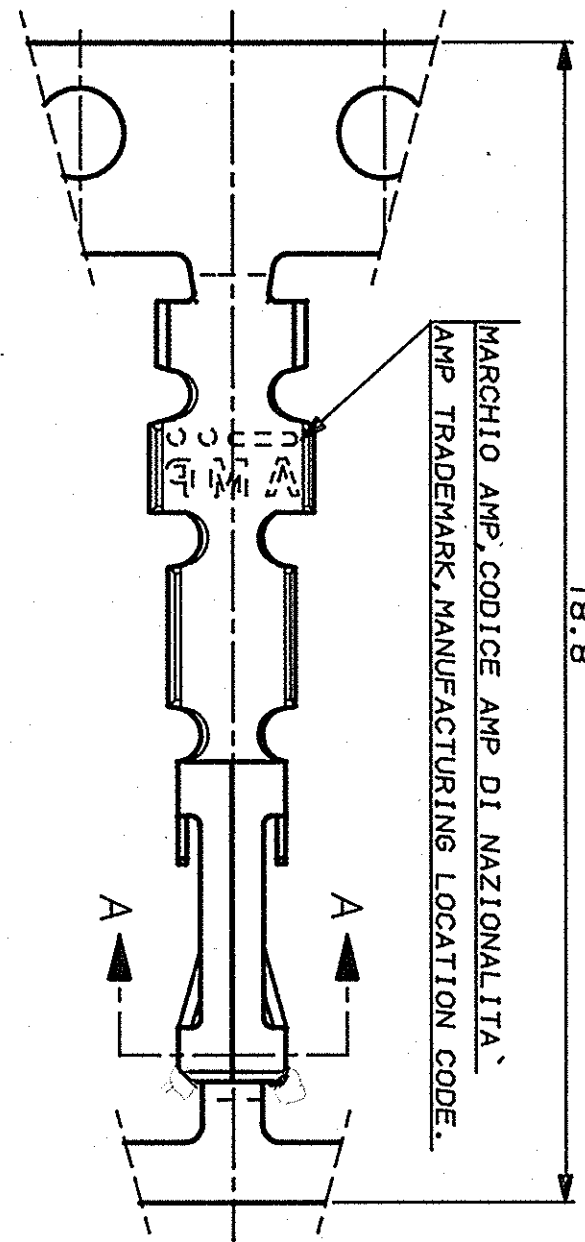


SCALA NON IMPERATIVA
DO NOT SCALE
DIMENSIONI IN mm
DIMENSIONS IN mm

METRIC

PROIEZIONE EUROPEA
EUROPEAN PROJECTION



NOTE (NOTES)

1. MATERIALE (MATL.): BRONZO FOSFOROSO (PHOSPHOR BRONZE).
2. FINITURA (FINISH): STAGNATO 0.8µm ECCEPTE LE ZONE TRANCIAATE. CTIN PLATED 0.8µm ALL OVER EXCEPT FOR CUTTING EDGES).
3. PER MINI-APPLICATORE (FOR MINI-APPLICATOR) P/N 781119-2.
4. PER APPLICATORE STD. (FOR STD. APPLICATOR).
5. PER UTENSILE A MANO (FOR HANDTOOL) P/N 782116.

NOTE (NOTES)

1 & 2	182207-2	280709-1	280709-2
MATERIALE E FINITURA (MATL. & FINISH)	LOOSE-PIECE PART NUMBER:	STRIP PART NUMBER (D.T.O L.): (NOTA QUOTE 4)	STRIP PART NUMBER (D.T.O R.): (NOTA QUOTE 3)

CUSTOMER DWG. SOLO PER RIFERIMENTO

THIS DRAWING IS UNPUBLISHED
© COPYRIGHT 1989 BY AMP INCORPORATED, HARRISBURG, PA. ALL INTERNATIONAL RIGHTS RESERVED. AMP PRODUCTS MAY BE COVERED BY U.S. AND FOREIGN PATENT AND/OR PATENT PENDING TOLERANCES, SE NOW DIVERGENTE SPECIFICATO TOLLERANZE, UNLESS OTHERWISE SPECIFIED

RELEASE FOR PUBLICATION
DIA. ISOLANTE (INS. DIA. RANNO) 0.55-1.3 MM
RANGO FILLO (RING SAID) 0.04-0.08 MM (30-28 AWG)
SCALA (SCALE) ± 0.3

AMP
AMP ITALIA S.p.A.
Corso F.lli Cervi, 15
COLLENO (TORINO)

DESCRIZIONE (DESCRIPTION) AMPMODU II REC. CONTACT, HIGH PRESSURE, C.O.S.I.
DIS. G. CAMPILA 29 JUNE 89
REV. 1 FOR 10 (REVISED) 1

REV. 1	REV. 1	DIS. DATA (DATE)	APP. (APP.)	LOC. SIZE (LOC. SIZE)	REV. 1
1	1	29 JUNE 89	2	I A3 C	1

DISTRIBUZIONE (PRINT DIST.)

1 2 3 4 5 6 7 8