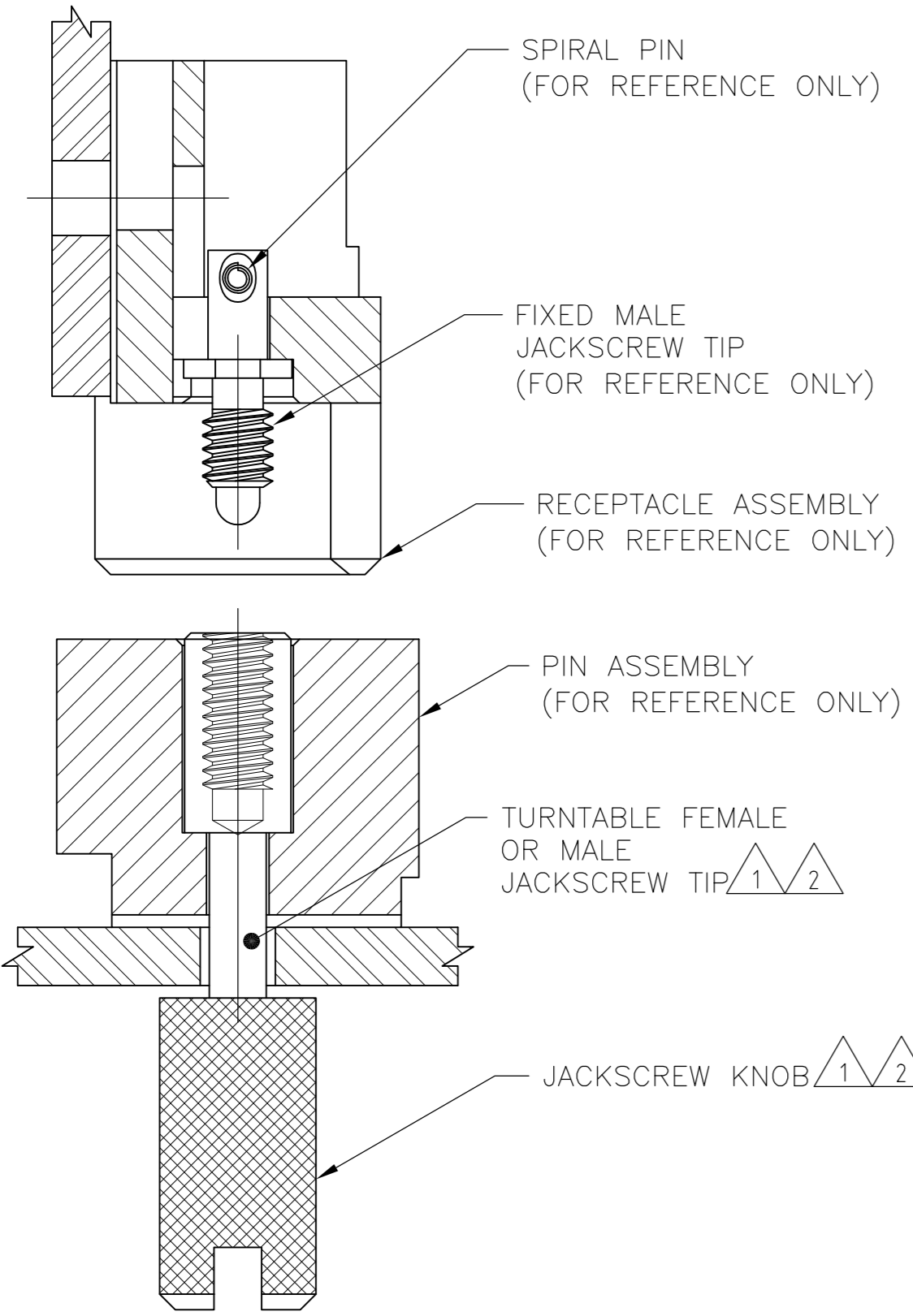
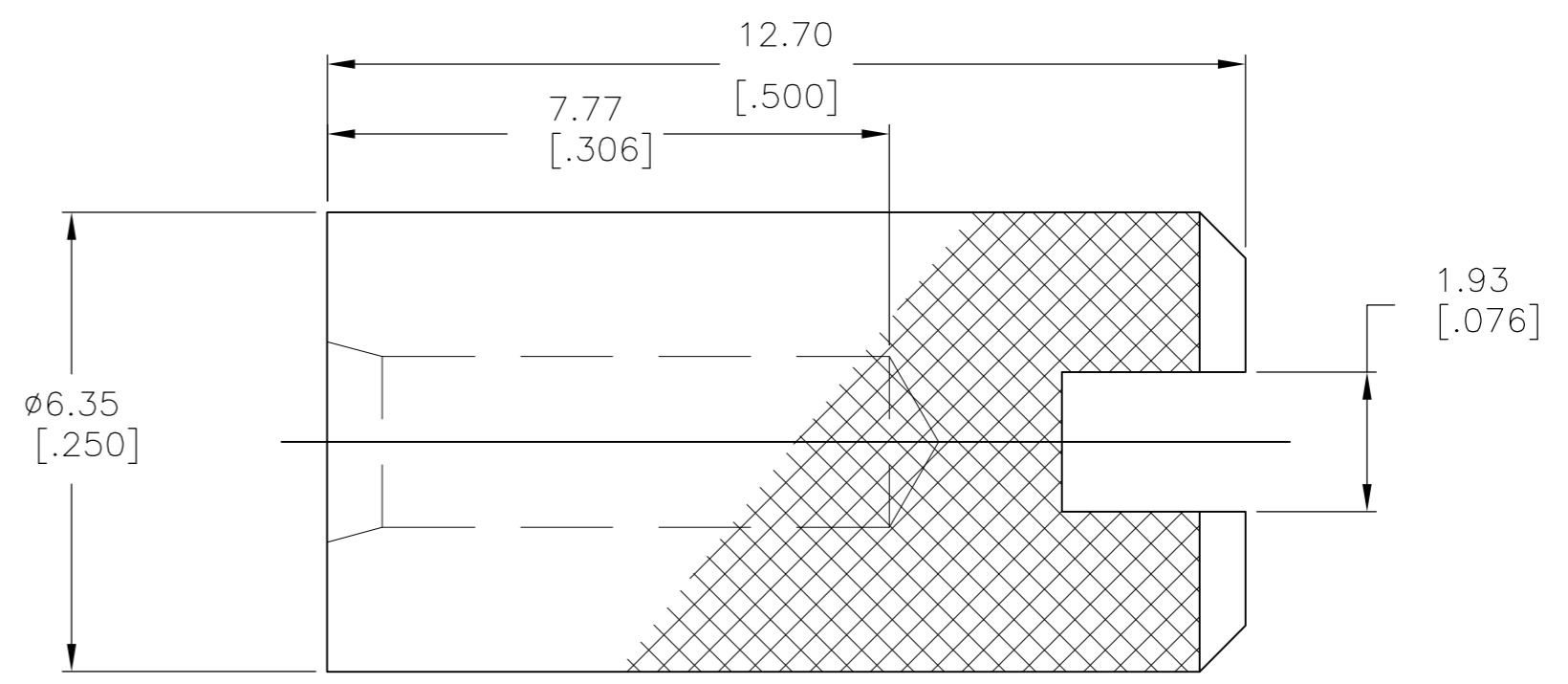
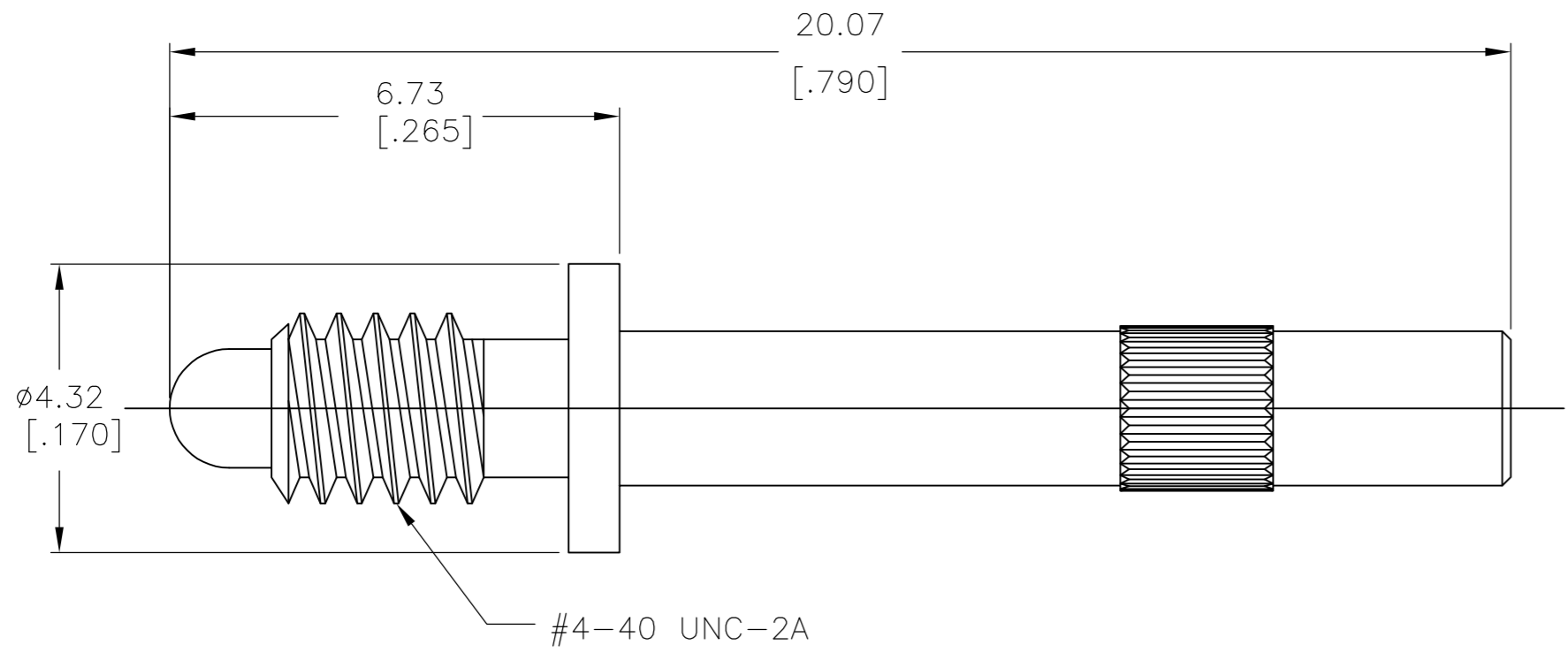


THIS DRAWING IS UNPUBLISHED. RELEASED FOR PUBLICATION
 © COPYRIGHT BY TYCO ELECTRONICS CORPORATION. ALL RIGHTS RESERVED.

LOC		DIST		REVISIONS			
P	LTR	DESCRIPTION		DATE	DWN	APVD	
AD	25	B		REVISED PER ECO-07-028862	12DEC07	DH AS	



- 1 MATERIAL: STAINLESS STEEL.
- 2 FINISH: PASSIVATED.

YES	536950-1
SLOT FOR SCREW DRIVER	PART NUMBER

THIS DRAWING IS A CONTROLLED DOCUMENT.		DWN T. SHUEY 6-5-96	Tyco Electronics Tyco Electronics Corporation Harrisburg, PA 17105-3608	
DIMENSIONS: mm		CHK J. WEARY 6-5-96	NAME JACKSCREW KIT,HDI,TURNABLE,MALE	
TOLERANCES UNLESS OTHERWISE SPECIFIED:		APVD J. WEARY 6-5-96	SIZE A2 CAGE CODE 00779 C=536950	
0 PLC ± -		PRODUCT SPEC -	DRAWING NO -	
1 PLC ± -		APPLICATION SPEC -	RESTRICTED TO -	
2 PLC ± -		WEIGHT -	SCALE 10:1 SHEET 1 OF 1 REV B	
3 PLC ± 0.13 [.005]		CUSTOMER DRAWING		
4 PLC ± -				
ANGLES ± -				
FINISH 1 2				

536950