



## Robot Gripper - Extra Width

SKU:FIT0300

This is a 2 DOF robot gripper that can be installed with 2 servos so as to control gripper opening and closing with one servo, and steering gear motion control (or rotation) with the other servo.

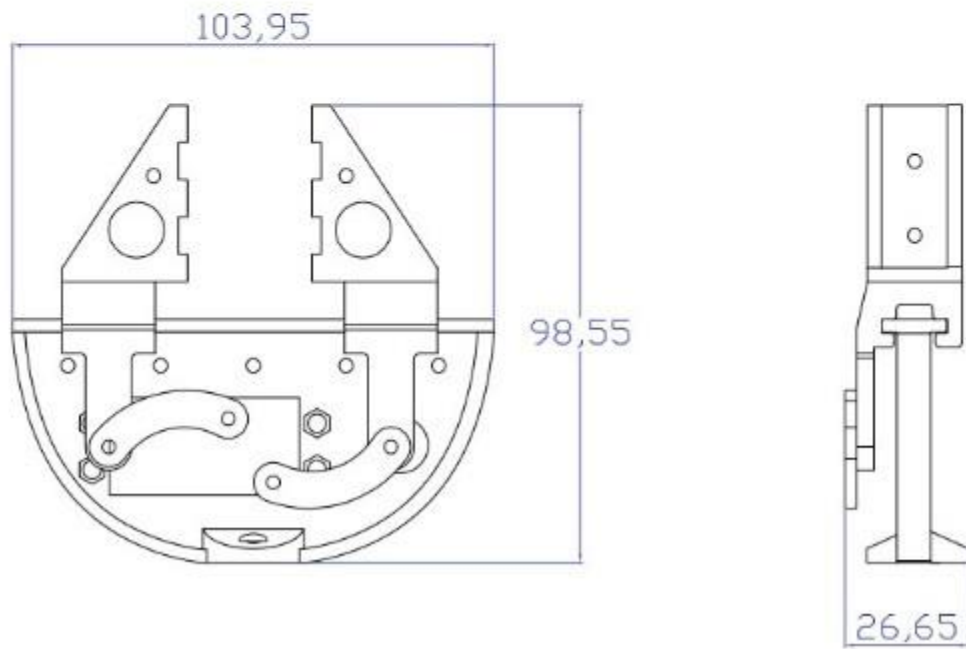
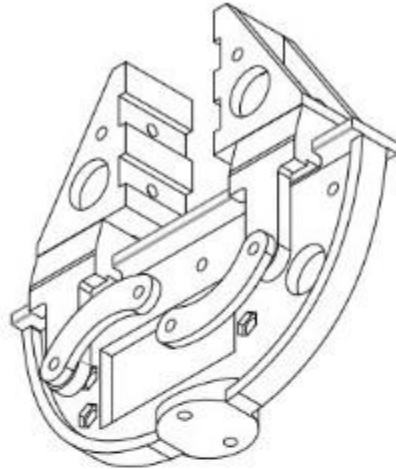
Velocity range is 0 to 54 mm (0 to 2.13"). Total weight about 45 g. The servo slot fit most servos such as Hitec 422,475, DSS-P05 Standard Servo, DF Metal Geared 15Kg Standard Servo.

### SPECIFICATION

- Clamp range:0-54mm (0-2.13")
- Size:105x100x30mm (4.13x3.94x1.18")

### SHIPPING LIST

- Robot Gripper-Extra Width x1
- Screw kit x1



## SHIPPING LIST

- Robot Gripper-Extra Width x1
- Screw kit x1