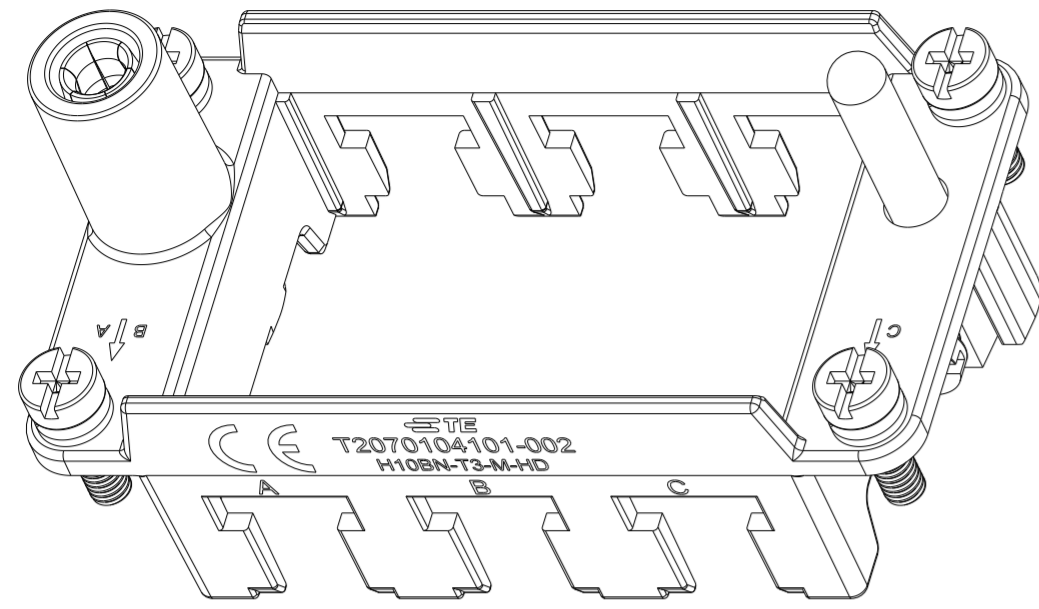
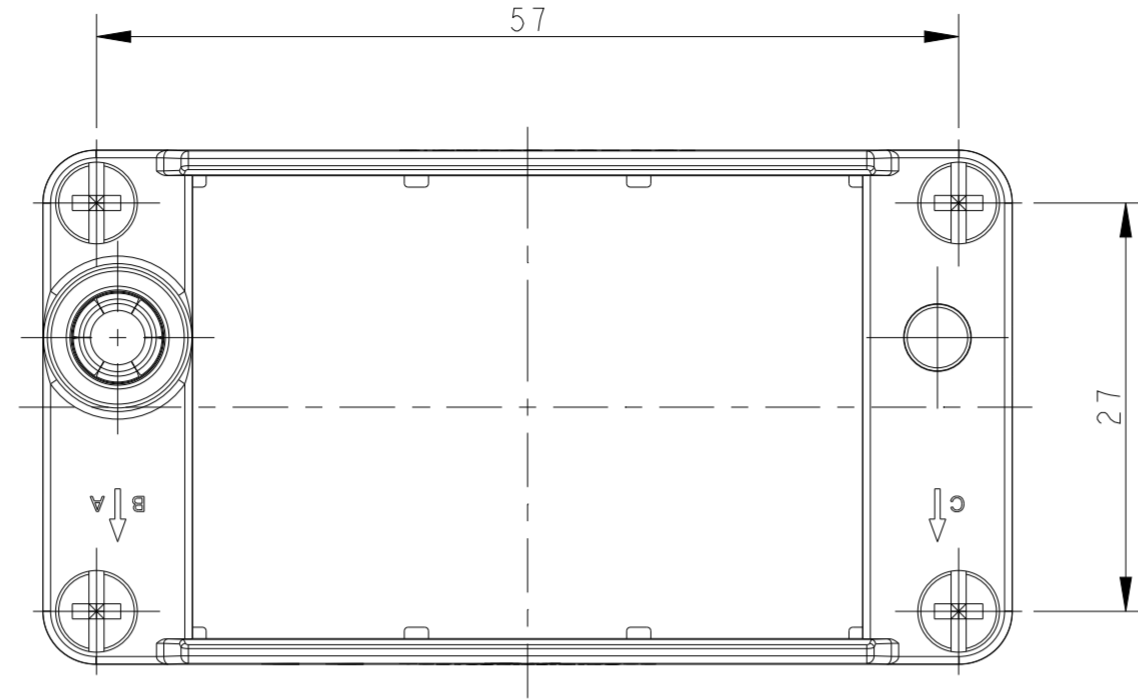


THIS DRAWING IS UNPUBLISHED. RELEASED FOR PUBLICATION 20  
 © COPYRIGHT 20 BY - ALL RIGHTS RESERVED.

REVISIONS					
P	LTR	DESCRIPTION	DATE	DWN	APVD
A		INITIAL	09AUG2017	RL	CW
B		ECR-21-122216	09DEC2021	WOR	CW



T2070104101-002 H10BN-T3-M-HD

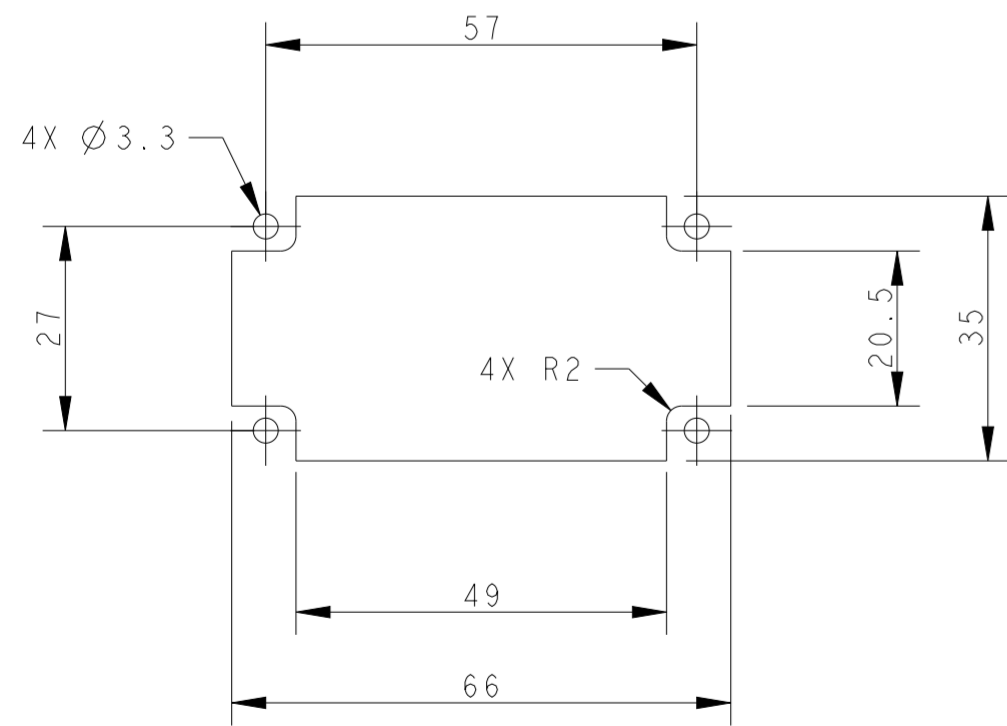
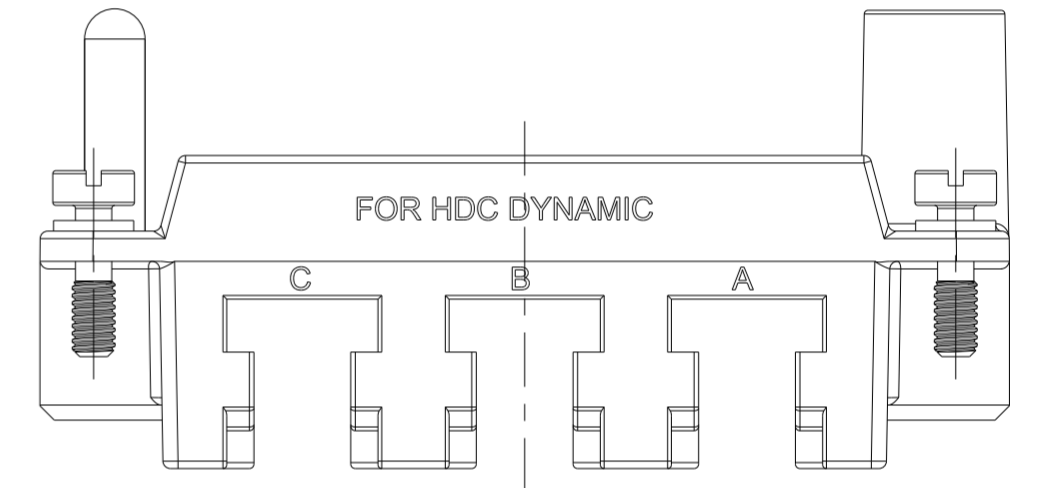
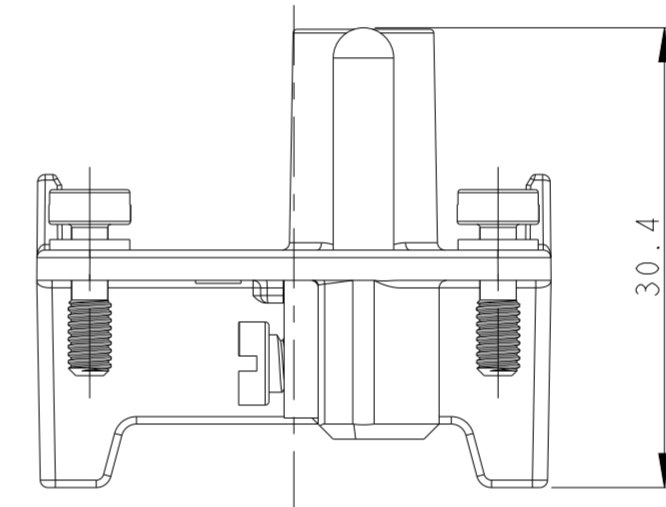
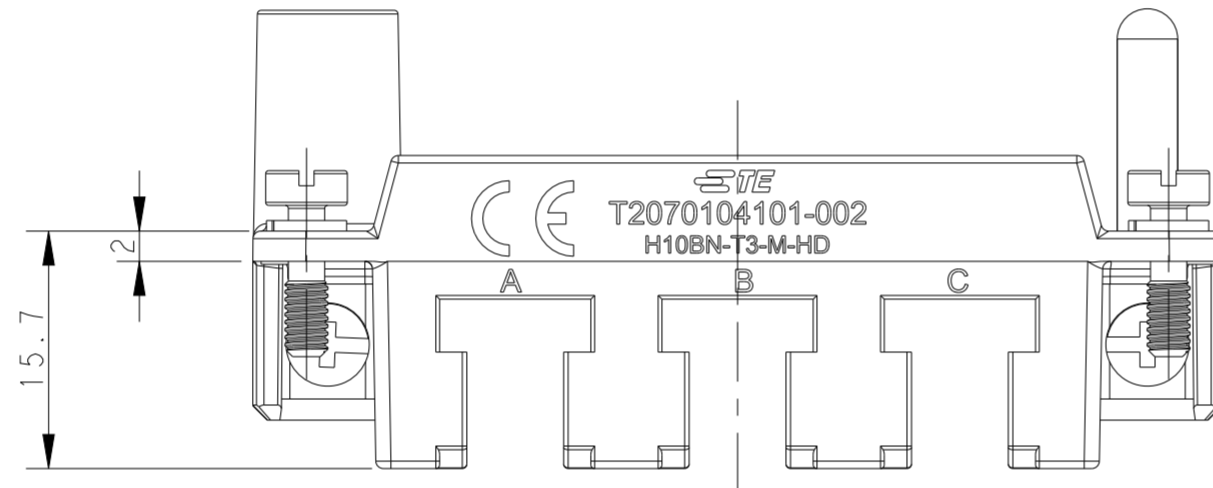


NOTES:

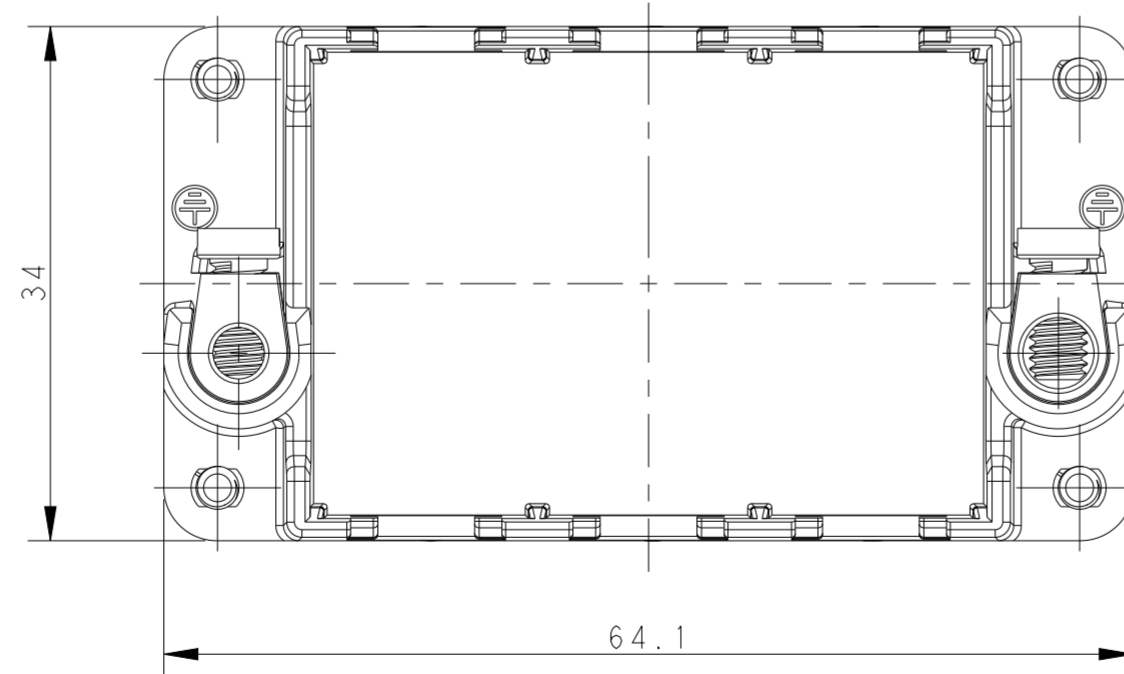
- 1. TECHNICAL CHARACTERISTICS:  
 FRAME MATERIAL: ZINC ALLOY  
 NUMBER OF MODULES: 3  
 FRAME SURFACE: BLACK NICKEL PLATING  
 MATING CYCLES: 500

注释:

- 1. 技术参数:  
 框架材料: 锌合金  
 模块数量: 3  
 框架表面处理: 电镀黑镍  
 插拔次数: 500



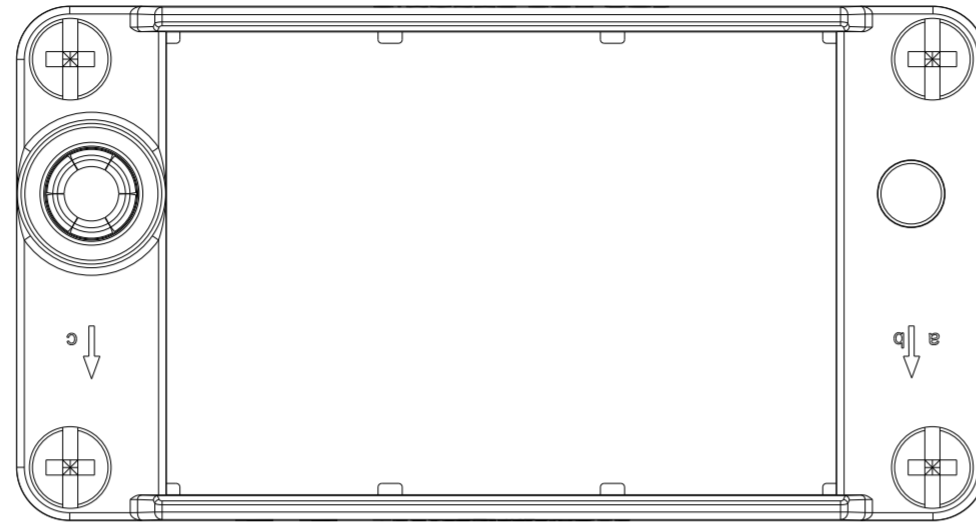
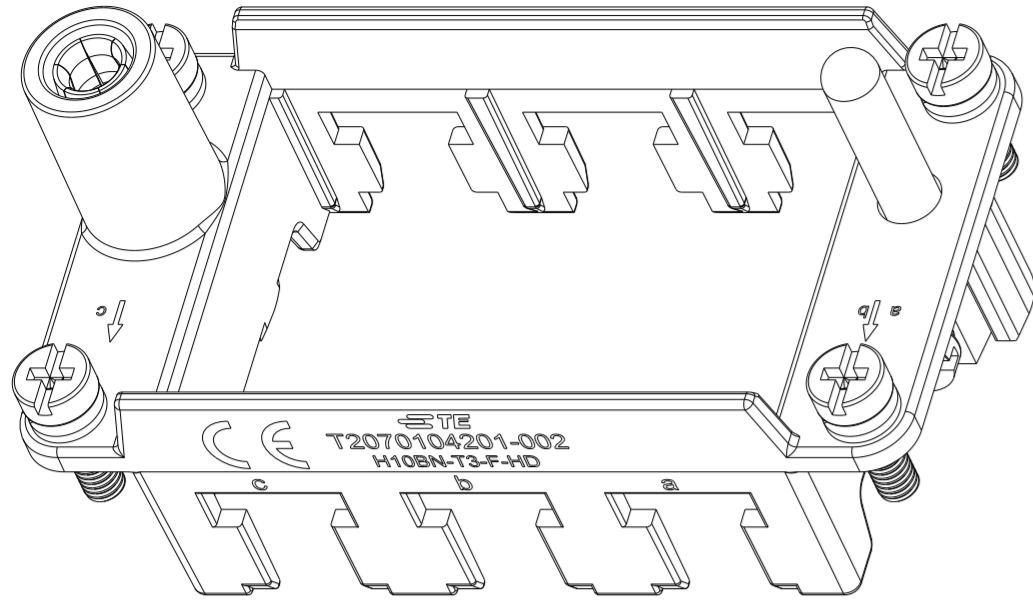
PANEL CUT FOR FRAME USE WITHOUT HOODS/ HOUSINGS



THIS DRAWING IS A CONTROLLED DOCUMENT.		DWN ROY LIU 09AUG2017	TE Connectivity		
DIMENSIONS: mm		CHK GINO YAO 09AUG2017			
TOLERANCES UNLESS OTHERWISE SPECIFIED:		APVD CHRIS WANG 09AUG2017	NAME H10BN-T3-M/F-HD		
		PRODUCT SPEC	SIZE CAGE CODE DRAWING NO RESTRICTED TO		
MATERIAL		APPLICATION SPEC	A200779 C-T2070104X01002		
FINISH		WEIGHT	SCALE 1:1 SHEET 1 OF 2 REV B		
-		CUSTOMER DRAWING			

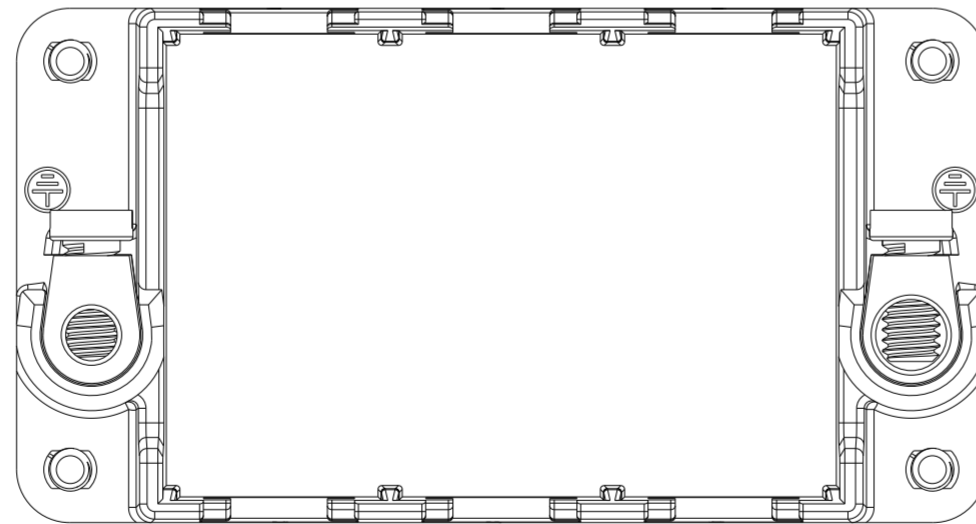
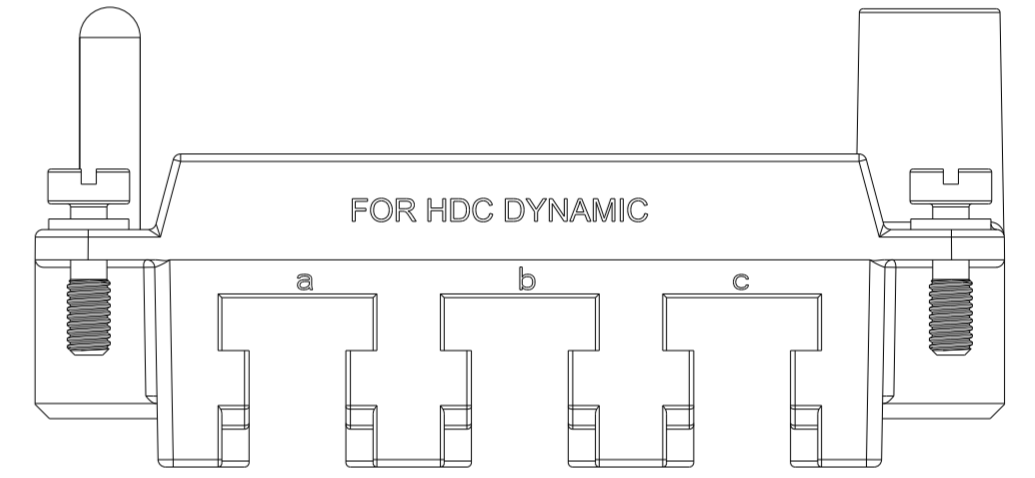
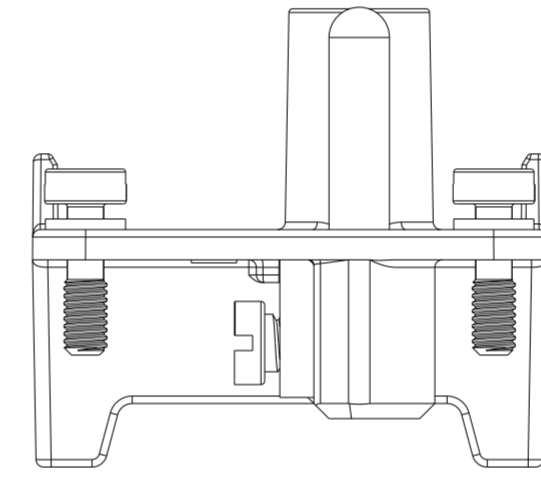
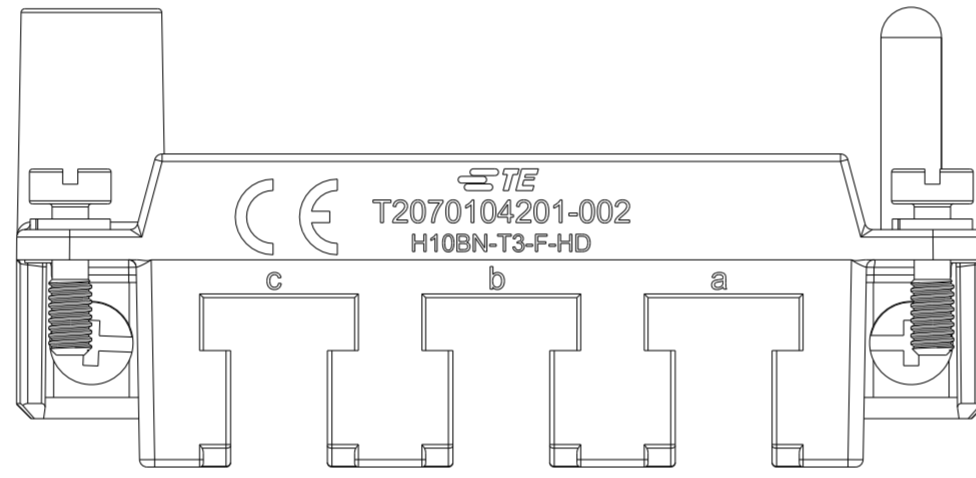
THIS DRAWING IS UNPUBLISHED. RELEASED FOR PUBLICATION 20  
 © COPYRIGHT 20 BY - ALL RIGHTS RESERVED.

REVISIONS					
P	LTR	DESCRIPTION	DATE	DWN	APVD
-	-	SEE SHEET 1	-	-	-



T2070104201-002, H10BN-T3-F-HD,  
 ALL DIMENSIONS THE SAME TO T2070104101-002  
 T2070104201-002, H10BN-T3-F-HD,  
 所有尺寸同T2070104101-002一样

NOTES:  
 SEE SHEET 1



T2070104201-002	H10BN-T3-F-HD	H10BN FEMALE MODULE FRAME, MATED WITH DYNAMIC H10BN模块母框架, 适配Dynamic
T2070104101-002	H10BN-T3-M-HD	H10BN MALE MODULE FRAME, MATED WITH DYNAMIC H10BN模块公框架, 适配Dynamic
PART NUMBER 成品料号		PART DESCRIPTION 成品描述

THIS DRAWING IS A CONTROLLED DOCUMENT.		DWN ROY LIU 09AUG2017	TE Connectivity	
DIMENSIONS: mm		CHK GINO YAO 09AUG2017		
TOLERANCES UNLESS OTHERWISE SPECIFIED:		APVD CHRIS WANG 09AUG2017	NAME H10BN-T3-M/F-HD	
0 PLC ± 1 PLC ± 2 PLC ± 3 PLC ± 4 PLC ± ANGLES ± FINISH		PRODUCT SPEC -	SIZE A200779	
MATERIAL -		APPLICATION SPEC -	DRAWING NO C-T2070104X01002	
finish_spec_2		WEIGHT -	RESTRICTED TO	
CUSTOMER DRAWING		SCALE 2:1	SHEET 2 OF 2	
			REV B	