

Rochester Electronics Manufactured Components

Rochester branded components are manufactured using either die/wafers purchased from the original suppliers or Rochester wafers recreated from the original IP. All recreations are done with the approval of the OCM.

Parts are tested using original factory test programs or Rochester developed test solutions to guarantee product meets or exceed the OCM data sheet.

Quality Overview

- ISO-9001
- AS9120 certification
- Qualified Manufacturers List (QML) MIL-PRF-35835
 - Class Q Military
 - Class V Space Level
- Qualified Suppliers List of Distributors (QSLD)
 - Rochester is a critical supplier to DLA and meets all industry and DLA standards.

Rochester Electronics, LLC is committed to supplying products that satisfy customer expectations for quality and are equal to those originally supplied by industry manufacturers.

The original manufacturer's datasheet accompanying this document reflects the performance and specifications of the Rochester manufactured version of this device. Rochester Electronics guarantees the performance of its semiconductor products to the original OEM specifications. 'Typical' values are for reference purposes only. Certain minimum or maximum ratings may be based on product characterization, design, simulation, or sample testing.

TYPES SN5453, SN54H53, SN7453, SN74H53 EXPANDABLE 4-WIDE AND-OR-INVERT GATES

REVISED DECEMBER 1983

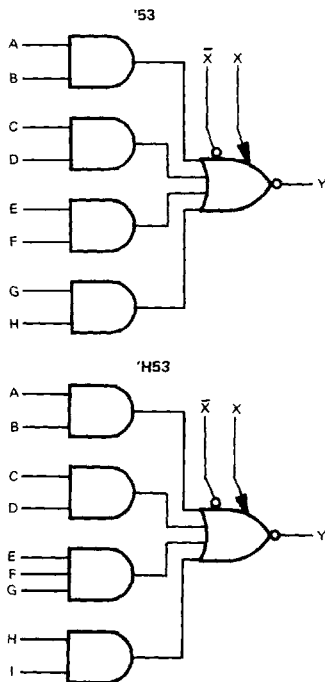
- Package Options Include Plastic and Ceramic DIPs
- Dependable Texas Instruments Quality and Reliability

description

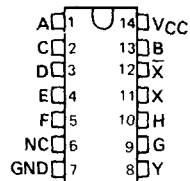
These devices contain expandable 4-wide AND-OR-INVERT gates. The '53 perform the Boolean function $Y = \overline{AB + CD + EF + GH + X}$ and the 'H53 perform $Y = \overline{AB + CD + EFG + HI + X}$ with X = output of SN5460/SN7460, SN54H60/SN74H60 or SN54H62/SN74H62 respectively.

The SN5453 and SN54H53 are characterized for operation over the full military temperature range of -55°C to 125°C . The SN7453 and SN74H53 are characterized for operation from 0°C to 70°C .

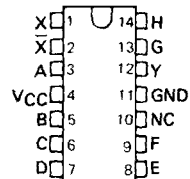
logic diagrams



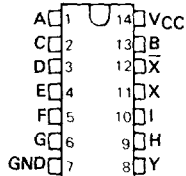
SN5453 ... J PACKAGE
SN7453 ... J OR N PACKAGE
(TOP VIEW)



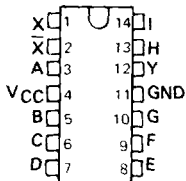
SN5453 ... W PACKAGE
(TOP VIEW)



SN54H53 ... J PACKAGE
SN74H53 ... J OR N PACKAGE
(TOP VIEW)



SN54H53 ... W PACKAGE
(TOP VIEW)



NC - No internal connection

TYPES SN5453, SN7453

EXPANDABLE 4-WIDE AND-OR-INVERT GATES

recommended operating conditions

	SN5453			SN7453			UNIT
	MIN	NOM	MAX	MIN	NOM	MAX	
V_{CC} Supply voltage	4.5	5	5.5	4.75	5	5.25	V
V_{IH} High-level input voltage	2			2			V
V_{IL} Low-level input voltage	0.8			0.8			V
I_{OH} High-level output current	-0.4			-0.4			mA
I_{OL} Low-level output current	16			16			mA
T_A Operating free-air temperature	-55			0			70 °C

electrical characteristics over recommended operating free-air temperature range (unless otherwise noted)

PARAMETER	TEST CONDITIONS†	SN5453			SN7453			UNIT
		MIN	TYP‡	MAX	MIN	TYP‡	MAX	
V_{IK}	$V_{CC} = \text{MIN}, I_I = -12 \text{ mA}$	-1.5			-1.5			V
V_{OH}	$V_{CC} = \text{MIN}, V_{IL} = 0.8 \text{ V}, I_{OH} = -0.4 \text{ mA}$	2.4	3.4		2.4	3.4		V
V_{OL}	$V_{CC} = \text{MIN}, V_{IH} = 2 \text{ V}, I_{OL} = 16 \text{ mA}$		0.2	0.4		0.2	0.4	V
I_I	$V_{CC} = \text{MAX}, V_I = 5.5 \text{ V}$	1			1			mA
I_{IH}	$V_{CC} = \text{MAX}, V_{IH} = 2.4 \text{ V}$	40			40			μA
I_{IL}	$V_{CC} = \text{MAX}, V_{IL} = 0.4 \text{ V}$	-1.6			-1.6			mA
$I_{OS}§$	$V_{CC} = \text{MAX}$	-20		-55	-18		-55	mA
I_{CCH}	$V_{CC} = \text{MAX}, V_I = 0 \text{ V}$		4	8		4	8	mA
I_{CCL}	$V_{CC} = \text{MAX}$, See Note 2		5.1	9.5		5.1	9.5	mA
$I_{\bar{X}}^\Delta$	$V_{\bar{X}X} = 0.4 \text{ V}, I_{OL} = 16 \text{ mA}$	-2.9			-3.1			mA
$V_{BE(IQ)}^\Delta$	$I_X + I_{\bar{X}} = 0.41 \text{ mA}, R_{\bar{X}X} = 0, I_{OL} = 16 \text{ mA}$	1.1						
	$I_X + I_{\bar{X}} = 0.62 \text{ mA}, R_{\bar{X}X} = 0, I_{OL} = 16 \text{ mA}$				1			V
V_{OH}^Δ	$I_X = 0.15 \text{ mA}, I_{\bar{X}} = -0.15 \text{ mA}, I_{OH} = -0.4 \text{ mA}$	2.4	3.4					V
	$I_X = 0.27 \text{ mA}, I_{\bar{X}} = -0.27 \text{ mA}, I_{OH} = -0.4 \text{ mA}$				2.4	3.4		
V_{OL}^Δ	$I_X + I_{\bar{X}} = 0.3 \text{ mA}, R_{\bar{X}X} = 138 \Omega, I_{OL} = 16 \text{ mA}$		0.2	0.4				V
	$I_X + I_{\bar{X}} = 0.43 \text{ mA}, R_{\bar{X}X} = 130 \Omega, I_{OL} = 16 \text{ mA}$				0.2	0.4		

† For conditions shown as MIN or MAX, use the appropriate value specified under recommended operating conditions.

‡ All typical values are at $V_{CC} = 5 \text{ V}, T_A = 25^\circ\text{C}$.

§ Not more than one output should be shorted at a time.

Δ Using expander inputs, $V_{CC} = \text{MIN}, T_A = \text{MIN}$, except typical values

NOTE 2: All inputs of one AND gate at 4.5 V, all others at GND.

switching characteristics, $V_{CC} = 5 \text{ V}, T_A = 25^\circ\text{C}$ (see note 3)

PARAMETER	FROM (INPUT)	TO (OUTPUT)	TEST CONDITIONS		MIN	TYP	MAX	UNIT	
t_{PLH}	Any	Y	$R_L = 400 \Omega,$	$C_L = 15 \text{ pF}^\ddagger$			13	22	ns
t_{PHL}							8	15	ns

‡ Expander pins open.

NOTE 3: See General Information Section for load circuits and voltage waveforms.

TYPES SN54H53, SN74H53, EXPANDABLE 4-WIDE AND-OR-INVERT GATES

recommended operating conditions

	SN54H53			SN74H53			UNIT
	MIN	NOM	MAX	MIN	NOM	MAX	
V _{CC} Supply voltage	4.5	5	5.5	4.75	5	5.25	V
V _{IH} High-level input voltage	2			2			V
V _{IL} Low-level input voltage	0.8			0.8			V
I _{OH} High-level output current	-0.5			-0.5			mA
I _{OL} Low-level output current	20			20			mA
T _A Operating free-air temperature	-55			0			70 °C

electrical characteristics over recommended operating free-air temperature range (unless otherwise noted)

PARAMETER	TEST CONDITIONS†	SN54H53			SN74H53			UNIT
		MIN	TYP‡	MAX	MIN	TYP‡	MAX	
V _{IK}	V _{CC} = MIN, I _I = -8 mA	-1.5			-1.5			V
V _{OH}	V _{CC} = MIN, V _{IL} = 0.8 V, I _{OH} = -0.5 mA	2.4	3.4		2.4	3.4	V	
V _{OL}	V _{CC} = MIN, V _{IH} = 2 V, I _{OL} = 20 mA	0.2 0.4		0.2 0.4			V	
I _I	V _{CC} = MAX, V _I = 5.5 V	1			1			mA
I _{IH}	V _{CC} = MAX, V _{IH} = 2.4 V	50			50			μA
I _{IL}	V _{CC} = MAX, V _{IL} = 0.4 V	-2			-2			mA
I _{OS} §	V _{CC} = MAX	-40		-100	-40		-100	mA
I _{CCH}	V _{CC} = MAX, V _I = 0 V	7.1	11		7.1	11	mA	
I _{CCL}	V _{CC} = MAX, See Note 2	9.4	14		9.4	14	mA	
I _X ▲	V _X = 1.4 V, I _X = 0, I _{OL} = 0	-5.85			-6.3			mA
V _{BE(IQ)} ▲	I _X + I _X = 0.7 mA, R _X X = 0, I _{OL} = 20 mA	1.1						V
	I _X + I _X = 1.1 mA, R _X X = 0, I _{OL} = 20 mA				1			V
V _{OH} ▲	I _X = 0.32 mA, I _X = -0.32 mA, I _{OH} = -0.5 mA	2.4	3.4					V
	I _X = 0.57 mA, I _X = -0.57 mA, I _{OH} = -0.5 mA				2.4	3.4		V
V _{OL} ▲	I _X + I _X = 0.47 mA, R _X X = 68 Ω, I _{OL} = 20 mA	0.2 0.4						V
	I _X + I _X = 0.6 mA, R _X X = 63 Ω, I _{OL} = 20 mA			0.2	0.4			V

† For conditions shown as MIN or MAX, use the appropriate value specified under recommended operating conditions.

‡ All typical values are at V_{CC} = 5 V, T_A = 25°C.

§ Not more than one output should be shorted at a time.

▲ Using expander inputs, V_{CC} = MIN, T_A = MIN, except typical values.

NOTE 2: All inputs of one AND gate at 4.5 V, all others at GND.

switching characteristics, V_{CC} = 5 V, T_A = 25°C (see note 3)

PARAMETER	FROM (INPUT)	TO (OUTPUT)	TEST CONDITIONS	MIN	TYP	MAX	UNIT
[†] t _{PLH}	Any	Y	R _L = 280 Ω, C _L = 25 pF ¶	7		11	ns
[†] t _{PHL}				6.2		11	ns
[†] t _{PLH}			11.4				ns
[†] t _{PHL}			7.4				ns

¶ Expander pins open.

GND to X.

NOTE 3: See General Information Section for load circuits and voltage waveforms.

3

TTL DEVICES

3

TTL DEVICES