

170014-5 ✓ ACTIVE

FASTIN-FASTON | FASTIN-FASTON 110

TE Internal #: 170014-5

Quick Disconnects, Tab, 20 – 16 AWG Wire Size, .51 – 1.31 mm²

Wire Size, Mating Tab Width 2.8 mm [.11 in], Straight, Brass,

FASTIN-FASTON 110

[View on TE.com >](#)



Terminals & Splices > Quick Disconnects



Quick Disconnect Terminal Type: **Tab**

Wire Size: **.51 – 1.31 mm²**

Mating Tab Width: **2.8 mm [.11 in]**

Mating Tab Thickness: **.51 mm [.02 in]**

Features

Product Type Features

| | |
|-----------------|--------|
| Insertion Force | Normal |
|-----------------|--------|

Configuration Features

| | |
|---------------------|--------|
| Connection Capacity | Single |
|---------------------|--------|

| | |
|-----------------------------------|---------------|
| Compatible With Wire & Cable Type | Discrete Wire |
|-----------------------------------|---------------|

Contact Features

| | |
|--------------------------------|-----|
| Quick Disconnect Terminal Type | Tab |
|--------------------------------|-----|

| | |
|------------------|-----------------|
| Mating Tab Width | 2.8 mm [.11 in] |
|------------------|-----------------|

| | |
|----------------------|-----------------|
| Mating Tab Thickness | .51 mm [.02 in] |
|----------------------|-----------------|

| | |
|----------------------|----------|
| Terminal Orientation | Straight |
|----------------------|----------|

| | |
|-----------------------|-------|
| Contact Base Material | Brass |
|-----------------------|-------|

| | |
|---------------------------|----------|
| Terminal Plating Material | Unplated |
|---------------------------|----------|

| | |
|------------|---------|
| Crimp Type | F-Crimp |
|------------|---------|

| | |
|-------------|------|
| Barrel Type | Open |
|-------------|------|

Termination Features



| | |
|-----------------------|--------------|
| Product Terminates To | Wire & Cable |
|-----------------------|--------------|

Mechanical Attachment

| | |
|----------------------|-----------------|
| Locking Lance Height | 2.1 mm[.083 in] |
|----------------------|-----------------|

| | |
|-------------------------|------|
| Wire Insulation Support | With |
|-------------------------|------|

| | |
|-----------------------|--------|
| Mating Retention Type | Dimple |
|-----------------------|--------|

Dimensions

| | |
|-----------------------------|----------------|
| Terminal Material Thickness | .51 mm[.02 in] |
|-----------------------------|----------------|

| | |
|----------------|------------------|
| Product Length | 20.5 mm[.807 in] |
|----------------|------------------|

| | |
|--------------------------------------|-----------------------------|
| Compatible Insulation Diameter Range | 2.01 – 3 mm[.079 – .118 in] |
|--------------------------------------|-----------------------------|

| | |
|-----------|----------------------------|
| Wire Size | .51 – 1.31 mm ² |
|-----------|----------------------------|

Usage Conditions

| | |
|-------------------|-------------|
| Insulation Option | Uninsulated |
|-------------------|-------------|

| | |
|-----------------------------|----------------------------|
| Operating Temperature Range | -40 – 110 °C[-40 – 230 °F] |
|-----------------------------|----------------------------|

Packaging Features

| | |
|--------------------|------|
| Packaging Quantity | 9000 |
|--------------------|------|

| | |
|------------------|------------|
| Packaging Method | Strip/Reel |
|------------------|------------|

Product Compliance

[For compliance documentation, visit the product page on TE.com>](#)

| | |
|------------------------------|-----------|
| EU RoHS Directive 2011/65/EU | Compliant |
|------------------------------|-----------|

| | |
|-----------------------------|-----------|
| EU ELV Directive 2000/53/EC | Compliant |
|-----------------------------|-----------|

| | |
|---|---|
| China RoHS 2 Directive MIIT Order No 32, 2016 | No Restricted Materials Above Threshold |
|---|---|

| | |
|--|---|
| EU REACH Regulation (EC) No. 1907/2006 | Current ECHA Candidate List: JUNE 2023 (235) Candidate List Declared Against: JUNE 2023 (235) Does not contain REACH SVHC |
|--|---|

| | |
|-----------------|---|
| Halogen Content | Low Halogen - Br, Cl, F, I < 900 ppm per homogenous material. Also BFR/CFR/PVC Free |
|-----------------|---|

| | |
|---------------------------|--|
| Solder Process Capability | Not applicable for solder process capability |
|---------------------------|--|

Product Compliance Disclaimer

This information is provided based on reasonable inquiry of our suppliers and represents our current actual knowledge based on the information they provided. This information is subject to change. The part numbers that TE has identified as EU RoHS compliant have a maximum concentration of 0.1% by weight in homogenous materials for lead, hexavalent chromium, mercury, PBB, PBDE, DBP, BBP, DEHP, DIBP, and 0.01% for cadmium, or qualify for an exemption to these



limits as defined in the Annexes of Directive 2011/65/EU (RoHS2). Finished electrical and electronic equipment products will be CE marked as required by Directive 2011/65/EU. Components may not be CE marked. Additionally, the part numbers that TE has identified as EU ELV compliant have a maximum concentration of 0.1% by weight in homogenous materials for lead, hexavalent chromium, and mercury, and 0.01% for cadmium, or qualify for an exemption to these limits as defined in the Annexes of Directive 2000/53/EC (ELV). Regarding the REACH Regulation, the information TE provides on SVHC in articles for this part number is based on the latest European Chemicals Agency (ECHA) 'Guidance on requirements for substances in articles' posted at this URL: <https://echa.europa.eu/guidance-documents/guidance-on-reach>

Compatible Parts



TE Part # 62447-2
 AMVAR FF 187 TAB 22-16AWG TPBR



TE Part # 160719-3
 FASTIN FASTON (FF) TAB 20/16 AWG BR



TE Part # 2-2150073-1
 OCEAN_2.0_Applicator-E-100F140F



TE Part # 2-2150073-2
 OCEAN_2.0_Applicator-E-100F140F



TE Part # 2150073-1
 OCEAN_2.0_Applicator-E-100F140F



TE Part # 2150073-2
 OCEAN_2.0_Applicator-E-100F140F



TE Part # 62443-1
 AMVAR FF 187 TAB 12-10AWG TPBR



TE Part # 7-2150073-1
 OCEAN_2.0_Applicator-E-100F140F




TE Part # 7-2150073-2
 OCEAN_2.0_Applicator-E-100F140F

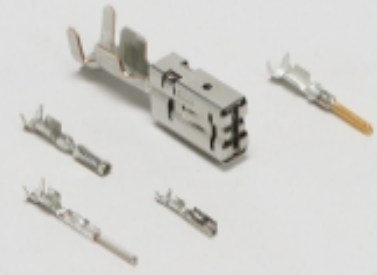


TE Part # 7-2150073-7
 OCEAN_2.0_SPARE_PART_KIT-100F140F


Also in the Series | FASTIN-FASTON 110




Automotive Housings(6)



Automotive Terminals(6)



Crimp Terminal Housings(34)

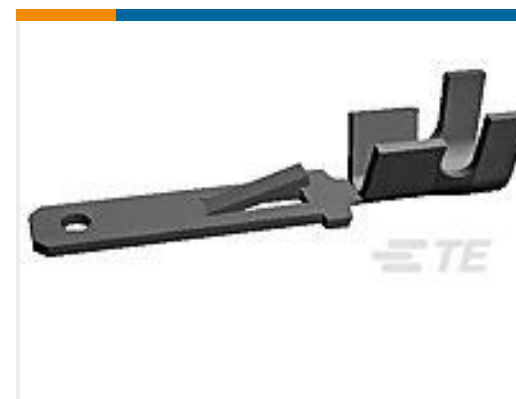


Insertion & Extraction Tools(3)



Quick Disconnects(83)

Customers Also Bought

TE Part #180352-2
FF 250 TAB 4-6MM2 PTBRTE Part #3-2176316-5
MELF SMA_A 68K 0.1% 15PPM 0207
1WTE Part #917308-1
MINI MLC CONN REC CONT.TE Part #2-2112780-1
18POS, MIXED, REC HSG, ASSY,
SEALEDTE Part #2-2176251-5
CRGS2010 5% 100RTE Part #2112758-1
COVERTE Part #170058-1
FF 110 TAB 24-20AWG BR

Documents

Product Drawings

[FF 110 TAB 20-16AWG BR](#)

English

CAD Files

Customer View Model

[ENG_CVM_CVM_170014-5_AP.2d_dxf.zip](#)

English

3D PDF

3D

Customer View Model

[ENG_CVM_CVM_170014-5_AP.3d_igs.zip](#)

English

Customer View Model

[ENG_CVM_CVM_170014-5_AP.3d_stp.zip](#)

English

By downloading the CAD file I accept and agree to the [Terms and Conditions](#) of use.



Product Specifications

Application Specification

English

Product Environmental Compliance

[MD_170014-5_05312018105_dmtec](#)

English

[MD_170014-5_05312018105_dmtec](#)

English