

**Ratings**  
 Voltage: 150 V  
 Temperature: -40°C~70°C

**Conductor**  
 Conductor count: 2  
 Gauge: 22 AWG 0.33 mm<sup>2</sup>  
 Material: tinned copper strands  
 Strand size:  $\phi$ 0.08x65  
 Resistance at 20 °C: 59.4  $\Omega$  /km max

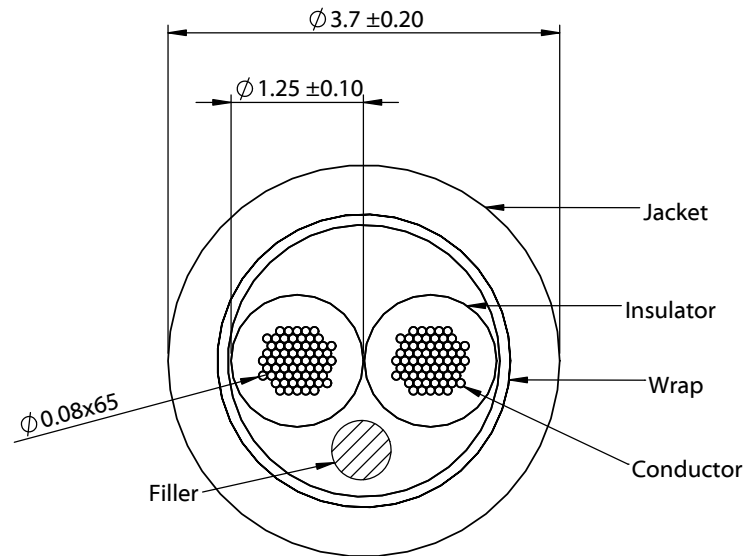
**Insulator**  
 Material: HDPE  
 Color: white, black  
 Diameter:  $\phi$ 1.25  $\pm$ 0.10 mm  
 Nominal thickness: 0.24 mm  
 Resistance at 20 °C: 100 M $\Omega$  /km min

**Wrap:**  
 Material: cotton paper

**Filler**  
 Material: aramid fiber

**Outer jacket**  
 Material: TPU  
 Color: black  
 Diameter:  $\phi$ 3.7  $\pm$ 0.20 mm  
 Nominal thickness: 0.5 mm

**Tests**  
 Tensile strength: 26 kgf min  
 Dielectric test: 1500 V dc for 1 minute without breakdown  
 Bend test at 200g,  $\pm$ 60°, 30 cycles/min: 15,000 cycle minimum



Revision:	Date:	Description:
A	08/30/2022	Initial release

Prepared: **MP**  
Digitally signed by MP  
 Date: 2022.09.01  
 10:47:51  
 -07'00'

Verified: **PB**  
Digitally signed by PB  
 Date: 2022.09.14  
 09:05:38 -07'00'

Dimensions are in millimeters.  
 Tolerances:  
 X:  $\pm$  0.5 mm  
 X.X:  $\pm$  0.3 mm  
 X.XX:  $\pm$  0.05 mm

Notes:  
 RoHS compliant  
 Jacket meets ISO 10993 Biological Compatibility  
 Phthalate and halogen free  
 Function test: no open, no short, no intermittent

Description:  
 Wire, 2C TS, 22 AWG, 150V, 70C, 3.7 mm, TPU, 75A, WBL

**TENSILITY**  
 tel 1.541.323.3228 800 877.670.7118  
 fax 1.541.323.4202 web tensility.com

Size:	Part number:
A	30-02632
Scale: 14:1	Sheet 1 of 1