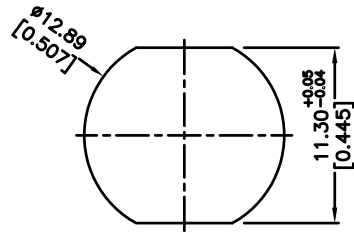
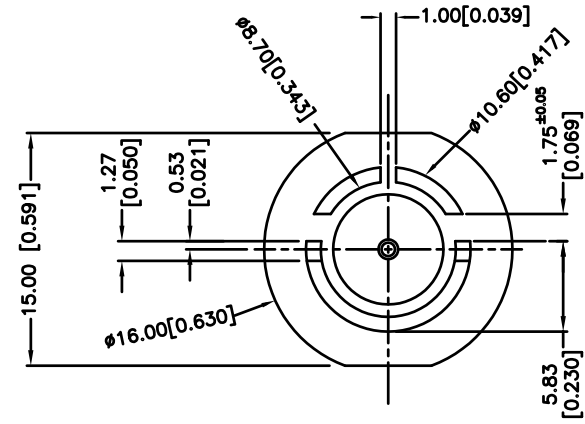
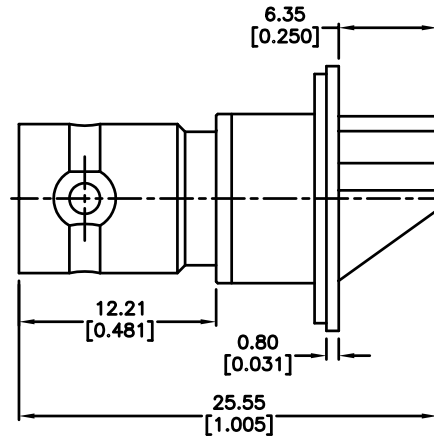
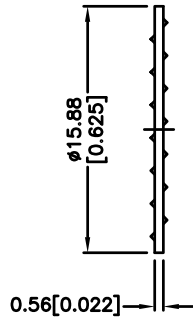
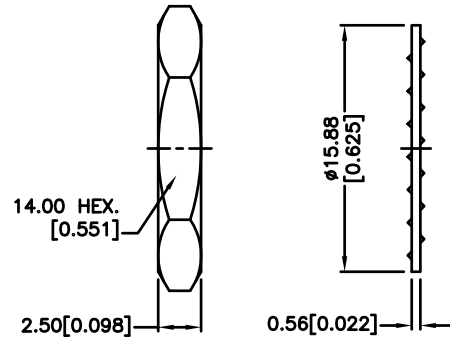
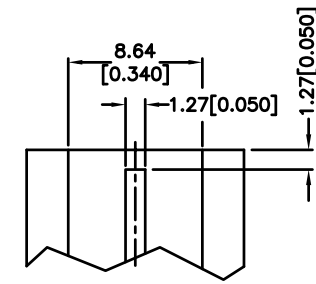
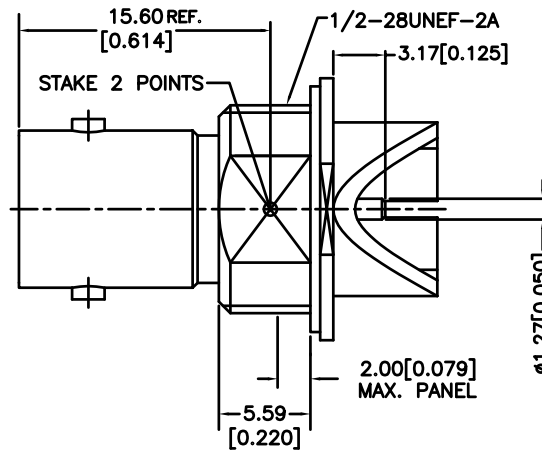


REV.	DATE	DESCRIPTION
A	05/21/10	RELEASE TO MFG.



RECOMMENDED MOUNTING HOLE DIMENSIONS



RECOMMENDED PCB LAYOUT

NO	DESCRIPTION	MATERIAL	FINISH	QTY
8	HEX NUT	BRASS	NICKEL	1
7	LOCK WASHER	BRASS	NICKEL	1
6	BODY	BRASS	GOLD	1
5	INSULATOR	TEFLON	NATURAL	1
4	HOUSING	BRASS	GOLD	1
3	CONTACT PIN	PHOSPHOR BRONZE	GOLD	1
2	INSULATOR	TEFLON	NATURAL	1
1	BODY	BRASS	GOLD	1

UNLESS OTHERWISE SPECIFIED DIMENSIONS ARE IN MILLIMETERS. DIMENSIONS IN [ ] ARE IN INCHES AND FOR CUSTOMER REFERENCE ONLY.

UNLESS OTHERWISE SPECIFIED TOLERANCES FOR MILLIMETERS ARE:  
0.5 - 8mm ± 0.20mm  
8 - 30mm ± 0.40mm  
30 - 120mm ± 0.50mm

UNLESS OTHERWISE SPECIFIED TOLERANCES FOR INCHES ARE:  
.020 - .315 = ± 0.007"  
.315 - 1.180 = ± 0.015"  
1.180 - 4.724 = ± 0.020"

DO NOT SCALE DRAWING

APPROVALS	DATE
DRAWN CLEMENT	05/21/10
CHECKED	
ISSUED	
SHEET 1 OF 1	
CAD FILE C:\112\112806-75.DWG	

# AMPHENOL CONNEX

PART DESCRIPTION
BNC ISOLATED,END LAUNCH RECEPT.JACK
PART NO.
112806-75
DWG. NO.
112806-75.DWG
REV.
A
SIZE
A
SCALE
NA