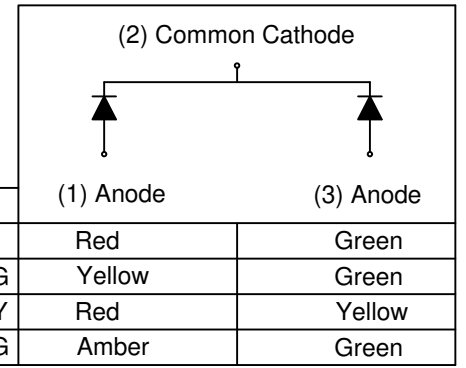
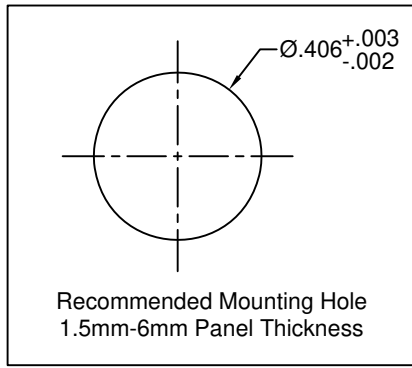
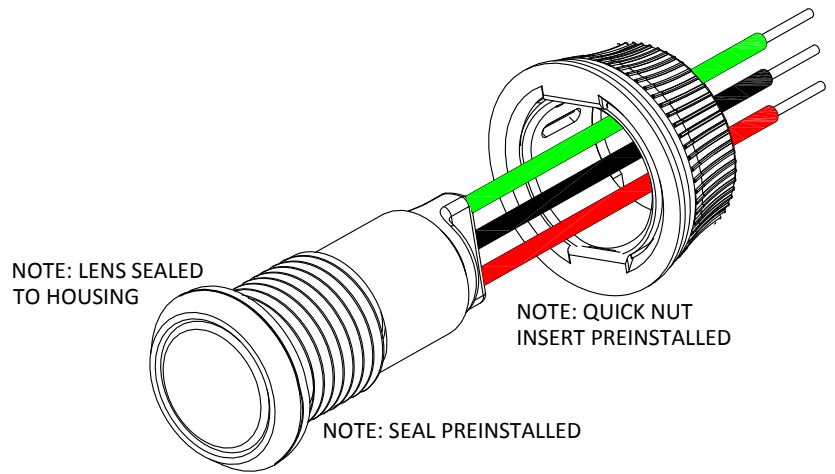
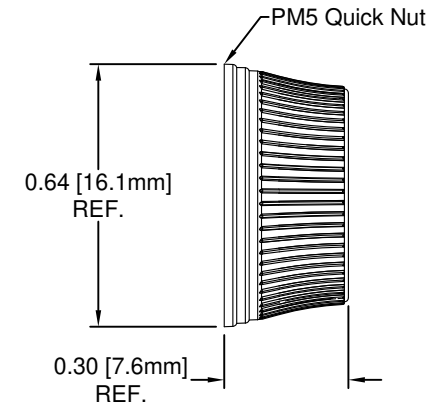
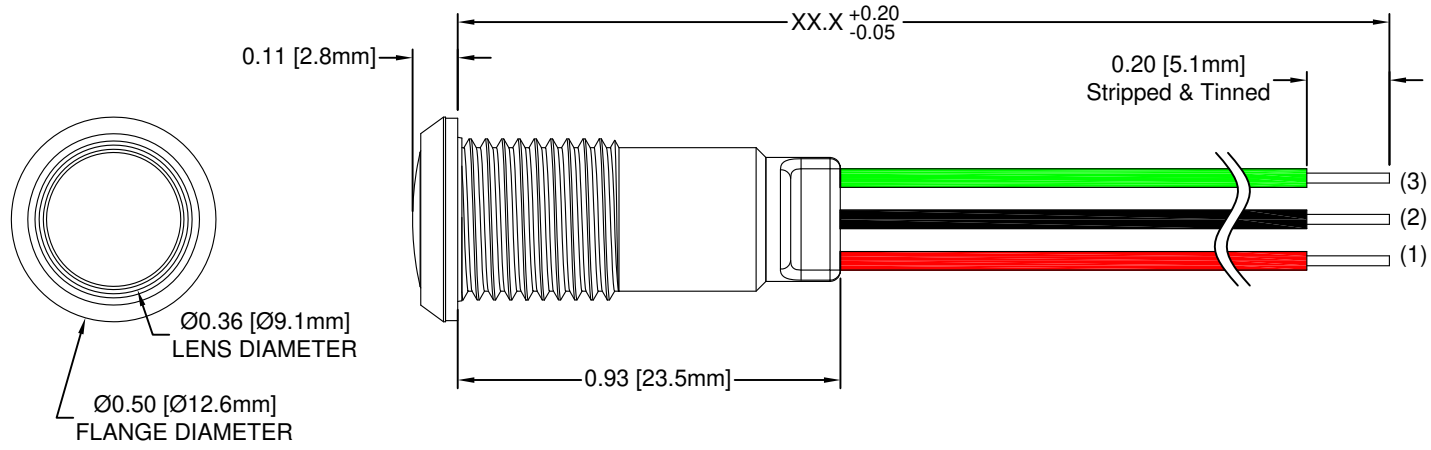


REV.	DESCRIPTION	DATE	APPROVED
A	Engineering Release	04/29/14	J. C.
B	Added 5BC-3-A/G Spec on Page 2	08/22/16	J. C.



EXAMPLE:
PM53-KNBCW6.5
 └── Wire Length in 0.5" Increments
 └── LED Colors
 └── Series

NOTES:
 1. ROHS COMPLIANT
 2. MOUNTING HARDWARE SHIPPED NON-ASSEMBLED


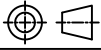
STANDARD TOLERANCE (UNLESS OTHERWISE SPECIFIED)		 4 THOMAS, IRVINE, CA. 92618 TEL: (949) 951-8808 FAX: (949) 951-3974	
DECIMALS	ANGULAR		
.X ± .1	X° ± 1°		
.XX ± .02		TITLE: Quick-Mount Panel Mount Indicator w/ Wires, 3-Lead Bi-Color	
.XXX ± .010		PART NO: PM53-KNXXWXX.X	
DESIGNED: M. Doan	DATE: 04/21/14	REVISION: B	
CHECKED: B. Oliver	DATE: 04/21/14	CAGE CODE : 32559 SHEET # 1 OF 2	
CAD GENERATED DOCUMENT. DO NOT MEASURE DRAWING.			

REV.	DESCRIPTION	DATE	APPROVED
	SEE SHEET #1		

Assembly Part Number	LED P/N	Peak Wave Length λ_p (nm)	Emitted Color	Electro-Optical Data @ 20mA		Viewing Angle
				Typ Vf (VDC)	Assembly Iv (mcd)	
				TYP	TYP	
PM53-KNBCWXX.X	5BC-3	625	RED	2.0	12	120
		568	GREEN	2.1	12	
PM53-KNYGWXX.X	5BC-3-Y/G	590	YELLOW	2.0	11	120
		568	GREEN	2.1	12	
PM53-KNRYWXX.X	5BC-3-R/Y	625	RED	2.0	12	120
		590	YELLOW	2.0	11	
PM53-KNAGWXX.X	5BC-3-A/G	605	AMBER	2.0	11	120
		568	GREEN	2.1	11	

ABSOLUTE MAXIMUM RATINGS (Ta = 25°C)

MAXIMUM REVERSE VOLTAGE _____ 5V
 MAXIMUM POWER DISSIPATION _____ 150 mW
 OPERATING TEMPERATURE RANGE _____ -30°C ~ 85°C
 STORAGE TEMPERATURE _____ -40°C ~ 85°C

STANDARD TOLERANCE (UNLESS OTHERWISE SPECIFIED) DECIMALS ANGULAR		 4 THOMAS, IRVINE, CA. 92618 TEL: (949) 951-8808 FAX: (949) 951-3974	
		TITLE: Quick-Mount Panel Mount Indicator w/ Wires, 3-Lead Bi-Color	
		DESIGNED: M. Doan	DATE: 04/21/14
CHECKED: B. Oliver	DATE: 04/21/14	CAGE CODE : 32559	SHEET # 2 OF 2
CAD GENERATED DOCUMENT. DO NOT MEASURE DRAWING.			