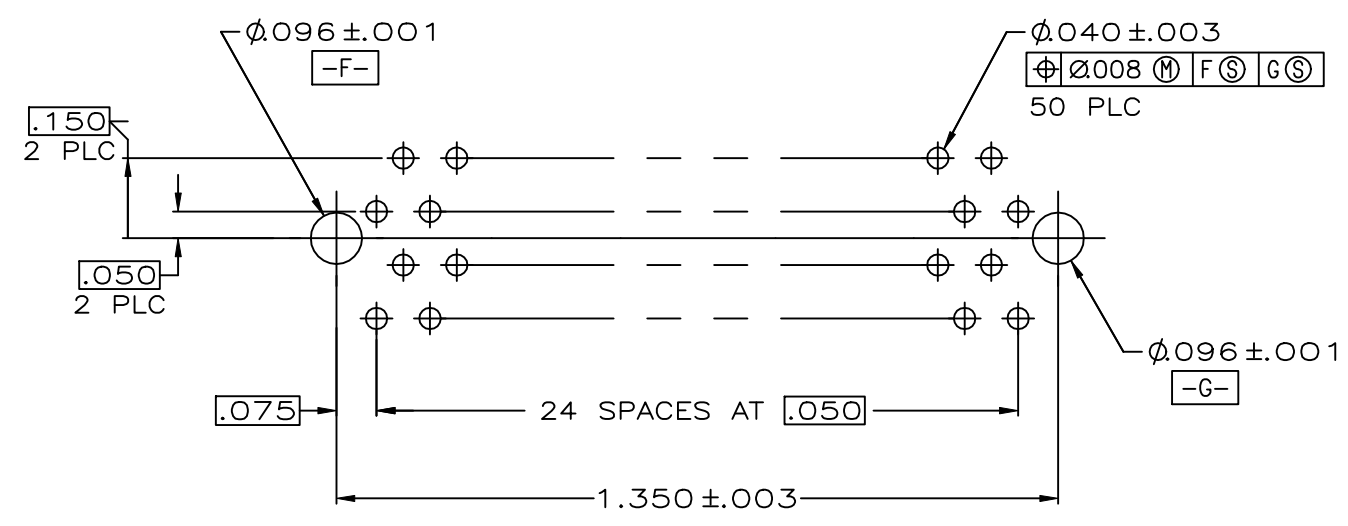
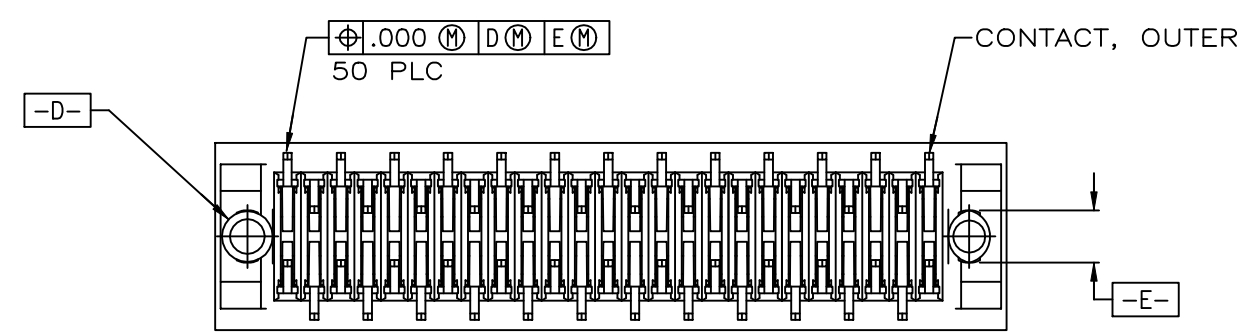
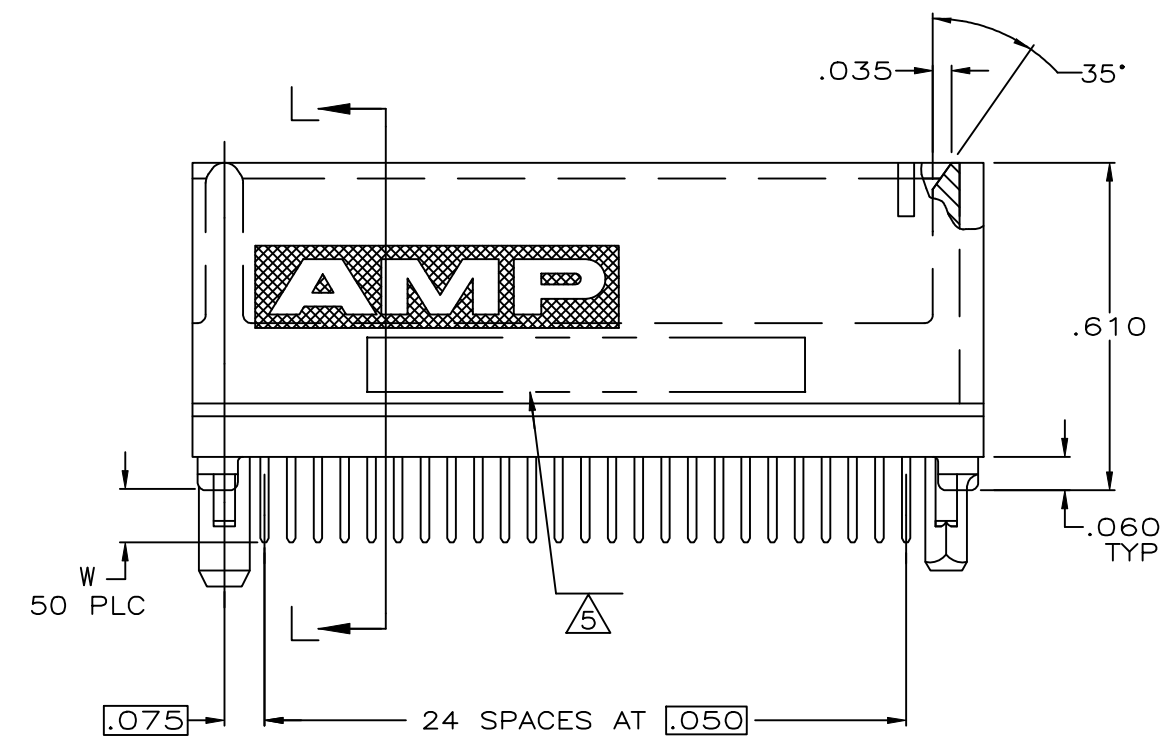
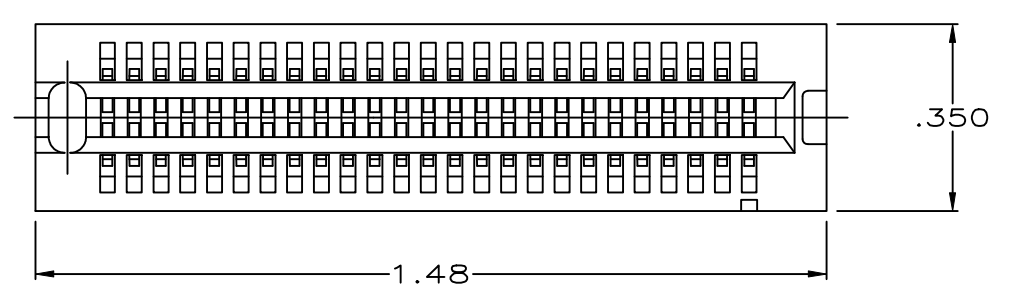
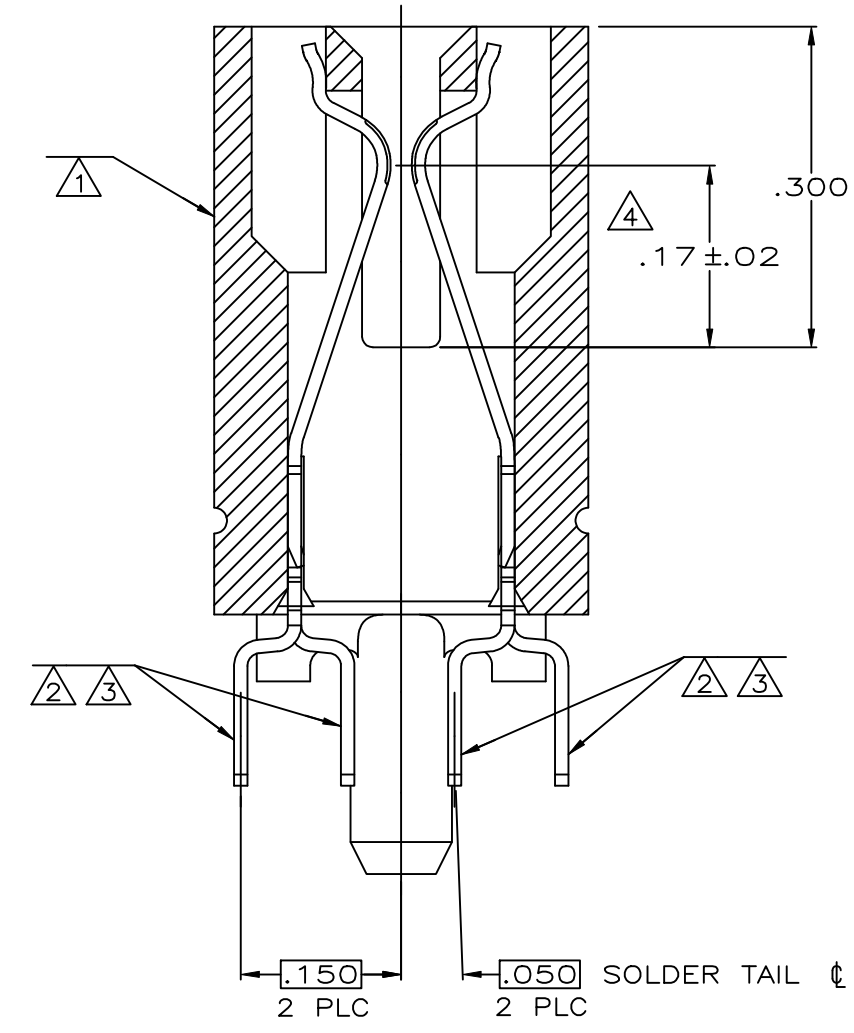


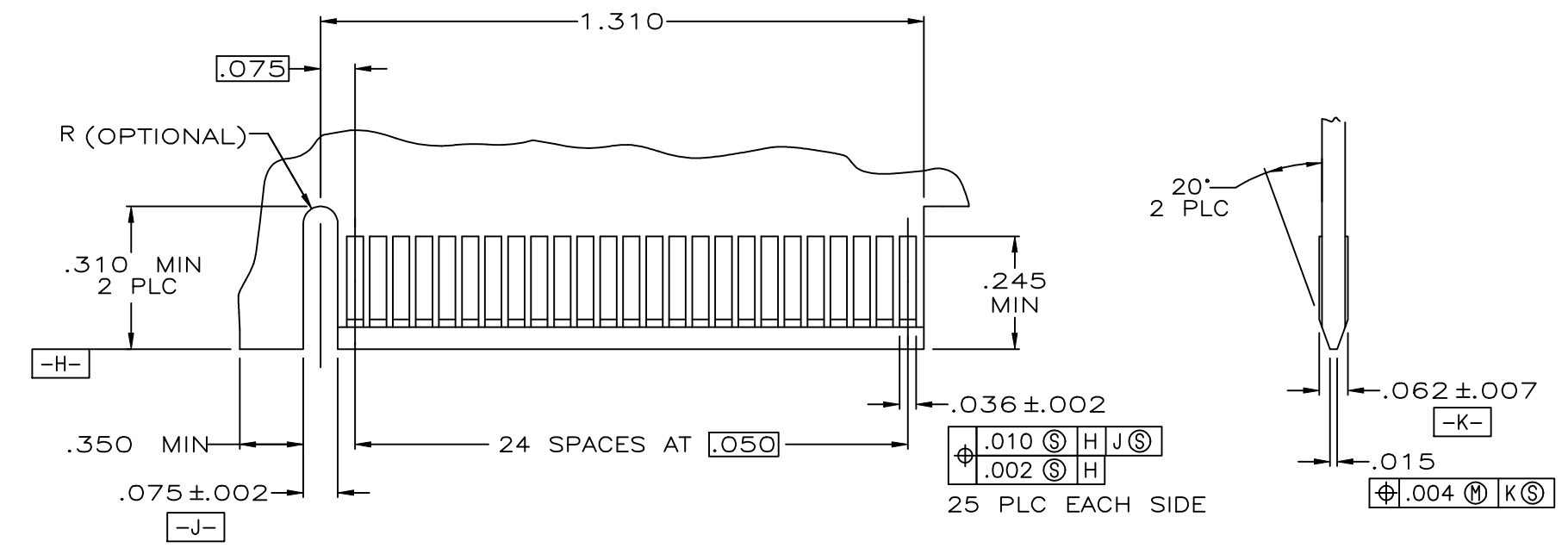
| REVISIONS | | | | |
|-----------|-----|---------------|-----------|----------|
| P | LTR | DESCRIPTION | DATE | DWN APVD |
| A | | ECO-18-017215 | 30DEC2018 | FL HL |



RECOMMENDED CONNECTOR MOUNTING HOLE PATTERN (CONNECTOR SIDE SHOWN)



SECTION L-L
SCALE 8:1



RECOMMENDED MATING BOARD EDGE CONFIGURATION

- 1 HOUSING: HIGH TEMPERATURE THERMOPLASTIC. COLOR: BROWN.
- 2 CONTACT: PHOSPHOR BRONZE.
- 3 CONTACT FINISH: .000100 MIN NICKEL ALL OVER, .000030 MIN GOLD OVER NICKEL IN CONTACT AREA, .000100 MIN MATTE TIN OVER NICKEL ON SOLDER TAILS.
- 4 DISTANCE FROM CONTACT POINT TO BOTTOM OF CARD SLOT.
- 5 AMP PART NUMBER, DATE CODE AND CSA LOGO MARKED IN APPROXIMATE AREA SHOWN.

| | |
|-----|-------------|
| .14 | 5650719-2 |
| .10 | 5650719-1 |
| W | PART NUMBER |

| | | | | | | | | | |
|--|--|--|--|---------------------------|--|------------------|--|------------------|--|
| THIS DRAWING IS A CONTROLLED DOCUMENT. | | DWN AL FRANTUM 24 JUN 05 | | APVD AL FRANTUM 24 JUN 05 | | NAME | | TE Connectivity | |
| DIMENSIONS: INCHES | | TOLERANCES UNLESS OTHERWISE SPECIFIED: | | PRODUCT SPEC | | APPLICATION SPEC | | RESTRICTED TO | |
| Ø | | ± .01 | | 108-14034 | | 114-26012 | | CUSTOMER DRAWING | |
| MATERIAL | | FINISH | | WEIGHT | | SIZE | | SCALE | |
| 1/2 | | 3 | | 0.000000 | | A1 00779 | | 4:1 | |
| | | | | C=5650719 | | SHEET 1 OF 1 | | REV A | |