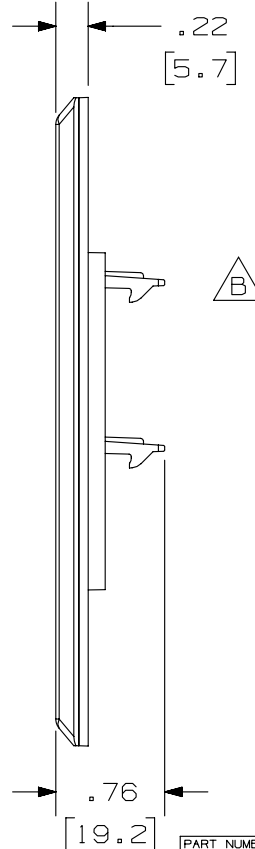
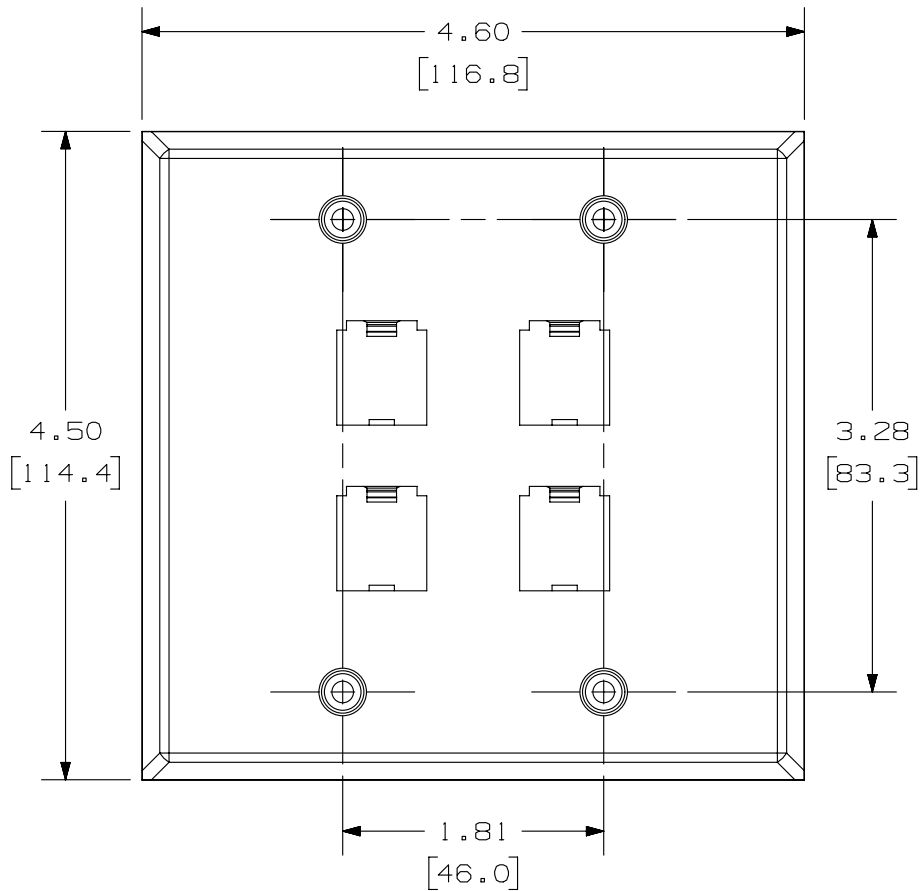
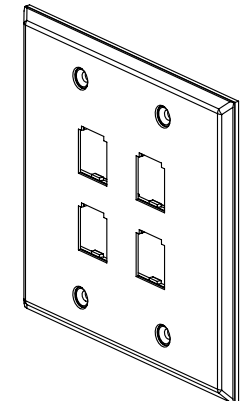


THIS COPY IS PROVIDED ON A RESTRICTED BASIS AND IS NOT TO BE USED IN ANY WAY DETRIMENTAL TO THE INTERESTS OF PANDUIT CORP.

PANDUIT P/N	WEIGHT
CFP4S-2GY	2.58 LB/10 PCS (1172.3 g/10 PCS)



- NOTES:
- SEE CURRENT CATALOG FOR ADDITIONAL PART NUMBER SUFFIXES TO INDICATE COLOR AND OR PACKAGE QUANTITY.
 - SEE CATALOG FOR COMPLETE LIST OF PARTS APPLICABLE FOR USE WITH THIS PART.
 - DIMENSIONS IN PARENTHESES ARE IN METRIC.
 - PART INCLUDES:
1- FACEPLATE
4- #6-32 X 1" MOUNTING SCREW



PART NUMBER		CFP4S-2GY	
TITLE			
MINI-COM 4 POSITION DOUBLE GANG STAINLESS STEEL FACEPLATE			
CUSTOMER DRAWING			
ITEM REVISION NAME		M02479FE/01	
DATASET FILE NAME		M02479FE_DC137/01C	
UNLESS OTHERWISE SPECIFIED, DIMENSIONAL TOLERANCES ARE: IN (mm)		MATERIAL:	
.x ± .xxx ± .010 [.3]		FACEPLATE-304 STAINLESS STEEL	
.xx ± .03 [.8] ANGLES ±		BACKING-ABS	
THIRD ANGLE PROJECTION		DRAWING NUMBER:	
DRAWN BY		02479-137	
DATE		A	
3-18-06		C	
CHK		SHT 1 OF 1	
MJD		A	
SCALE		NONE	
NONE		A	

REV	DATE	BY	CHK	APR	DESCRIPTION	ECN
2	3-28-14	BJN	JSP	MMR	B. DELETED NOTE 4 C. UPDATED TITLE BLOCK	02479-137
1	7-30-07	JSP	JCO	JCO	A. FACEPLATE MATERIAL WAS 430 S.S.	02479-137
R	3-18-06	JSP	MJD		RELEASED TO PRODUCTION	02479-137

D10100DA/14