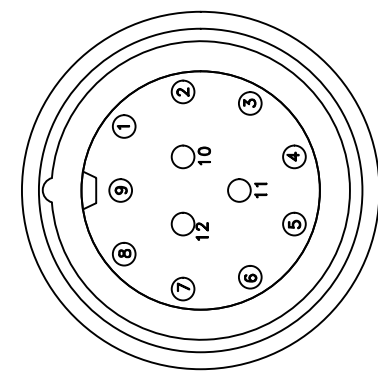
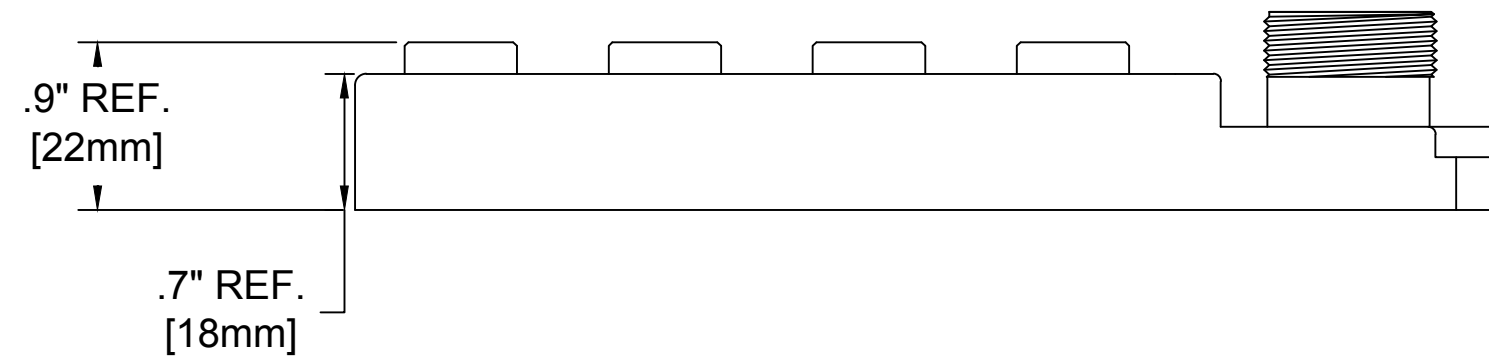
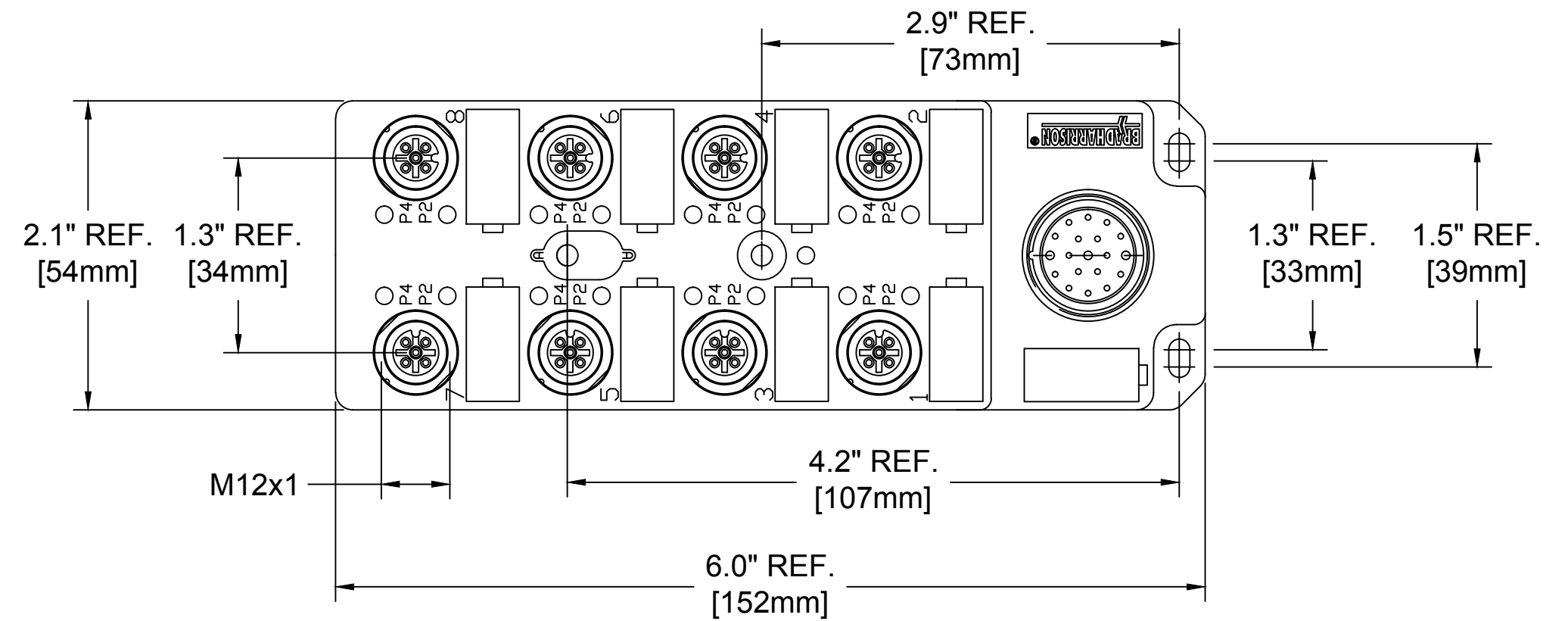
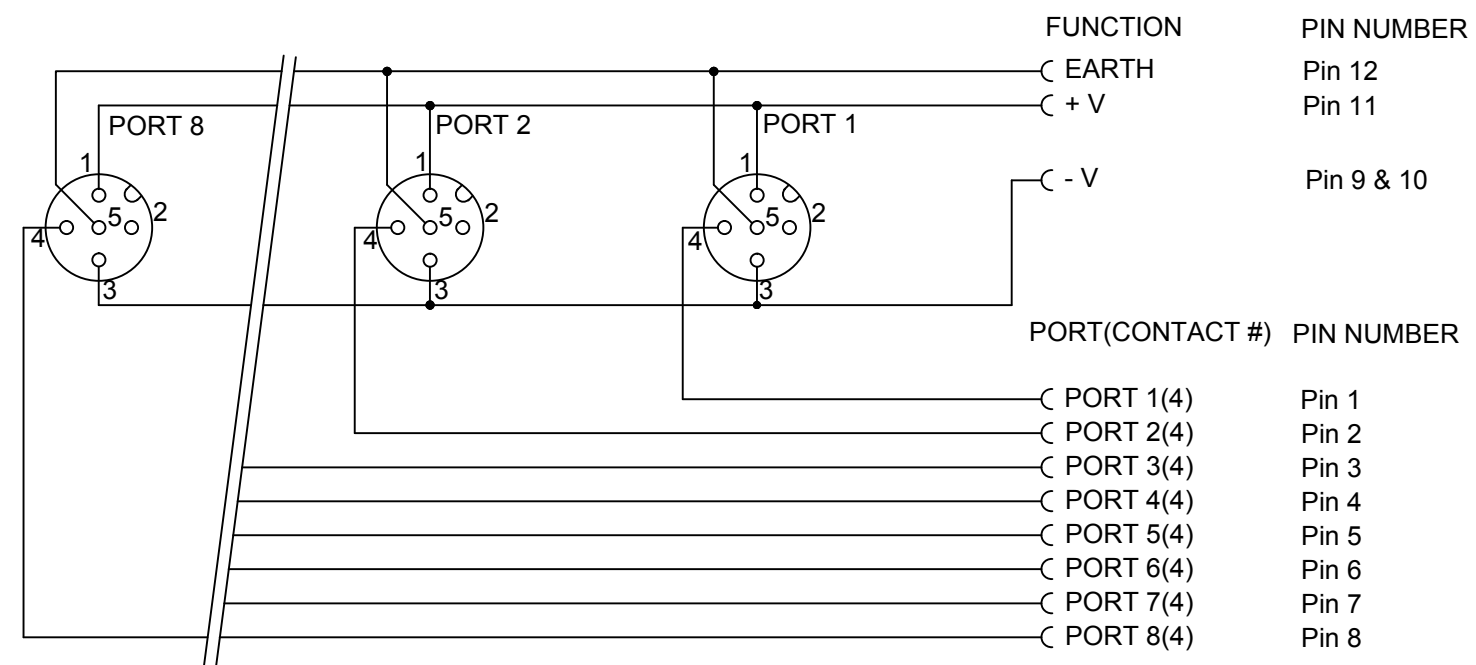


13	12	11	10	9	8	7	6	5	4	3	2	1
MATERIAL NUMBER	OLD PART NUMBER											
1200550321	BTY8010-FBC											



MALE FACE VIEW

CONTACT:	GOLD/NICKEL OVER COPPER ALLOY
□-RING:	FPM, RED
HOUSING:	PBT, YELLOW
VOLTAGE RATING:	10-30V DC MAX
AMPERAGE RATING:	MODULE-12A MAX PORT-4A MAX
PROTECTION:	IP67
OPERATING TEMPERATURE:	-5°C TO 80°C

RELEASE EC NO.: ICG2014-0871 DRWN: GGUSTAFS 2013/09/10 CH'KD: BARDEN APPR: BWOODMAN2013/11/20	DESCRIPTION REV	QUALITY SYMBOL ▽=0 ▽=0	GENERAL TOLERANCES (UNLESS SPECIFIED)		DIMENSION STYLE	SCALE	DESIGN UNITS	THIRD ANGLE PROJECTION			
				mm	INCH	IN/MM	NTS	INCH			
			4 PLACES	±---	±---						
			3 PLACES	±---	±.005						
			2 PLACES	±0.13	±.010	DRAWN BY		DATE	TITLE		
			1 PLACE	±0.25	±.020	GGUSTAFS		2013/09/10	8 PORT MIC MPIS TOP MOUNT NO LED 12P MALE M23 CONNECTOR		
			ANGULAR ±.5°		CHECKED BY		DATE	MOLEX INCORPORATED			
			DRAFT WHERE APPLICABLE MUST REMAIN WITHIN DIMENSIONS		BARDEN		2013/11/21		DOCUMENT NO.		
					MATERIAL NO.		BWOODMAN			2013/11/20	SHEET NO.
					SEE CHART		SD-120055-007		1 OF 1		
					SIZE		THIS DRAWING CONTAINS INFORMATION THAT IS PROPRIETARY TO MOLEX INCORPORATED AND SHOULD NOT BE USED WITHOUT WRITTEN PERMISSION				
					C						