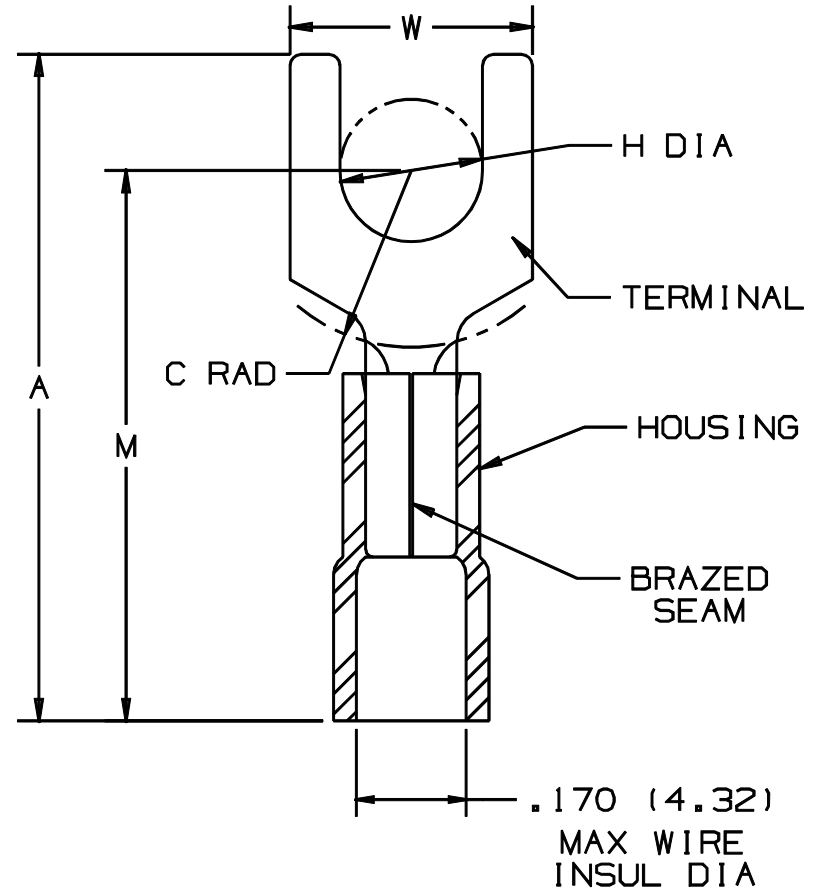


THIS COPY IS PROVIDED ON A RESTRICTED BASIS AND IS NOT TO BE USED IN ANY WAY DETRIMENTAL TO THE INTERESTS OF PANDUIT CORP.

PANDUIT PART NUMBER	STUD SIZE	DIMENSIONS in.				
		A $\pm .020$	W $\pm .010$	C $\pm .015$	M $\pm .020$	H $\pm .010$
PV18-6FX	#6	.83 (21.08)	.30 (7.62)	.21 (5.33)	.69 (17.53)	.15 (3.81)
PV18-8FX	#8	.89 (22.61)	.32 (8.13)	.25 (6.35)	.73 (18.54)	.17 (4.32)
PV18-10FX	#10	.91 (23.11)	.35 (8.89)	.25 (6.35)	.75 (19.05)	.20 (5.08)



NOTES :

- UL LISTED AND CSA CERTIFIED FOR:
 - 600 V MAX. VOLTAGE RATING
 - 221°F (105°C) MAX. TEMP. RATING
 - #22-18 AWG SOLID OR STRANDED, COPPER WIRE
- PACKAGE QTY.: STD C=100
BULK M=1000
- MATERIAL:
 - STAMPING - .032 (.81) THK COPPER, TIN PLATED
 - HOUSING - RED VINYL
- WIRE STRIP LENGTH: $5/16 + 1/32$ (7.94 +.80)
 $- .00$ (-.00)
- DIMENSIONS IN BRACKETS ARE IN MILLIMETERS
- INSTALLATION TOOLS:
 - UL AND CSA APPROVED: CT-100, CT-500*, CT-550*
 - PANDUIT APPROVED: CT-160, CT-260

* APPROVED FOR EXPANDED WIRE RANGE #22-16 AWG



LISTED
587H
E52164



CERTIFIED
LR31212

A41459_03

03	1/01	RM		FILESPEC WAS NPC-A41459-02						<p>TINLEY PARK, ILLINOIS</p> <p>#22-18 BARREL VINYL INSULATED FORK .170 MAX WIRE INSUL DIA</p>		
02	3/91	DL		TANG WIDTH INCREASED PART NO PV18-6FX, PV18-8FX, PV18-10FX				00403				
--	--	--	--	REDRAWN ON CAD WITH REVISIONS	--	--	--					
REV	DATE	BY	CHK	DESCRIPTION	QA	CUST	PM	ECN#	DRAWN BY	CHK'D	SCALE	DRAWING NO.
									DRL		NONE	A41459