

MATERIAL

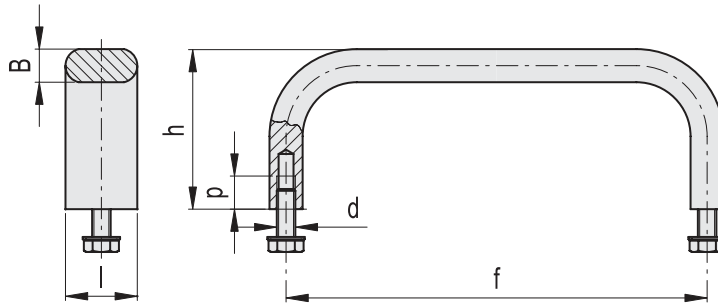
AISI 316L stainless steel, flat oval cross section, ground surface, semi-matte finish.

STANDARD EXECUTION

Threaded holes for AISI 304 stainless steel screws and washers, included in the supply.

SPECIAL EXECUTIONS ON REQUEST

- Handles with different lengths.
- Handles with ground and shotblasted surface, semi-matte finish obtained by electropolishing.



Conversion Table
1 mm = 0,039 inch

mm	inch
100	3.90
120	4.68
150	5.85
180	7.02
250	9.75
350	13.65

Code	f	d	p	B	h	l	⚖️
RHEF-12.100.31	100	M5x10	10	8	40	12	105
RHEF-12.120.31	120	M5x10	10	8	40	12	118
RHEF-12.150.31	150	M5x10	10	8	40	12	138
RHEF-12.180.31	180	M5x10	10	8	40	12	158
RHEF-12.250.31	250	M5x10	10	8	40	12	205
RHEF-12.350.31	350	M5x10	10	8	40	12	271
RHEF-19.100.31	100	M6x12	12	10	45	19.5	220
RHEF-19.120.31	120	M6x12	12	10	45	19.5	256
RHEF-19.150.31	150	M6x12	12	10	45	19.5	279
RHEF-19.180.31	180	M6x12	12	10	45	19.5	339
RHEF-19.250.31	250	M6x12	12	10	45	19.5	434
RHEF-19.350.31	350	M6x12	12	10	45	19.5	573