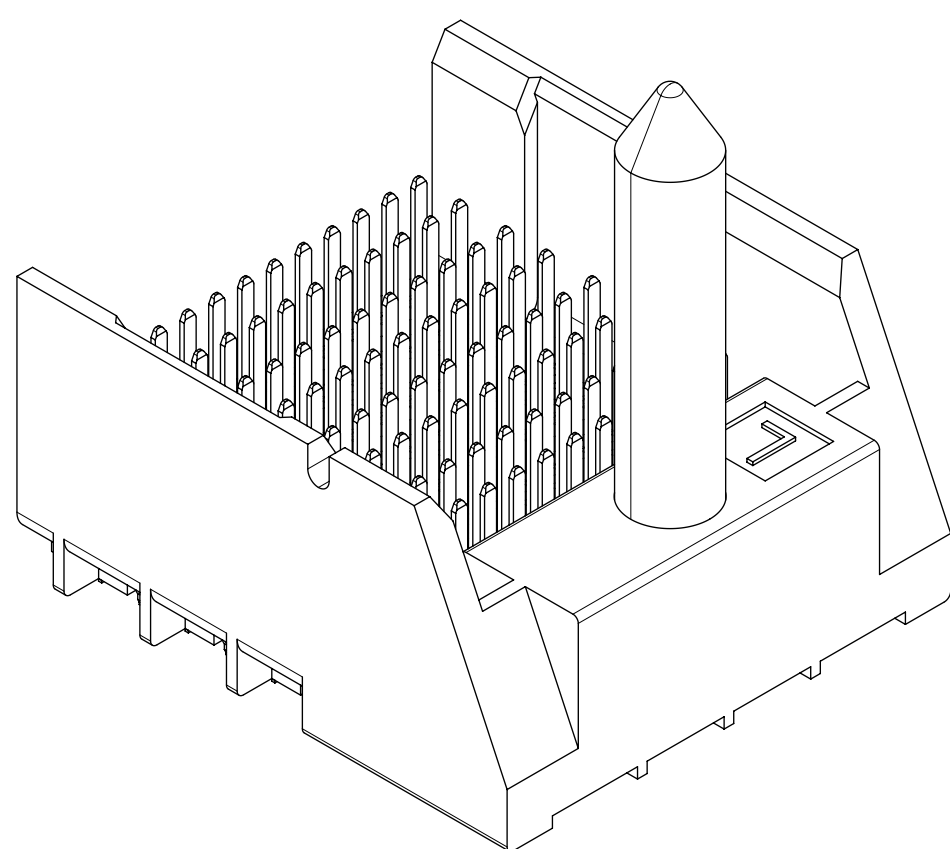


- NOTES:**
1. MATERIALS: HOUSING - LIQUID CRYSTAL POLYMER (LCP) GLASS-FILLED, UL94V-0
TERMINALS - HIGH PERFORMANCE COPPER ALLOY
 2. FINISH: 30µ MIN GOLD IN CONTACT AREA.
SELECTIVE TIN ON PCB TAILS.
NICKEL OVERALL.
 3. REFER TO MOLEX PRODUCT SPECIFICATION PS-76060-999 FOR PERFORMANCE SPECIFICATIONS AND ADDITIONAL PCB INFORMATION.
 4. THIS PART CONFORMS TO CLASS B REQUIREMENTS OF MOLEX COSMETIC SPEC PS-45499-002.
 5. PACKAGE PER: PK-70873-764.
 6. SEE SHEETS 2 & 3 FOR PART NUMBERS AND BOARD RELATIONSHIPS.
 7. MATES WITH IMPACT DC SERIES NO. 76850.
 8. REFER TO MOLEX PCB ROUTING GUIDE AS-76060-990 FOR ANTIPAD AND ROUTING RECOMMENDATIONS.
 9. KEEP OUT ZONE FOR BP HOUSING LENGTH INCLUDES AN ADDITIONAL 1.0MM TO ACCOMODATE FOR SPACE REQUIRED BY DC FRONT HOUSING.
 10. CONNECTORS SUPPLIED WITH A 2-56 UNC-2A SCREW.

| | | | | | | | | | | |
|---------------------|---|---------------------------------------|--------------|--|-----------------|----------|----------|--------------|--|--|
| QUALITY SYMBOLS | THIS DRAWING CONTAINS INFORMATION THAT IS PROPRIETARY TO MOLEX ELECTRONIC TECHNOLOGIES, LLC AND SHOULD NOT BE USED WITHOUT WRITTEN PERMISSION | | | | | | | | | |
| | MIGRATED TO NX EC NO: 123322 DRWN: NSRVATSAHS CHKD: PRAMASWAMY REV / APPR: PRAMASWAMY | GENERAL TOLERANCES (UNLESS SPECIFIED) | | DIMENSION UNITS | SCALE | | | | | |
| ANGULAR TOL ± 0.5 ° | | mm | 4:1 | | | | | | | |
| ▽ = 0 | 4 PLACES ± 3 PLACES ± 2 PLACES ± 0.13 1 PLACE ± 0.25 0 PLACES ± | DRWN BY | DATE | IMPACT ORTHO ROUTABLE 4 PAIR HEADER ASSEMBLY LEFT GUIDE SALES DRAWING | | | | | | |
| ▽ = 0 | | DVARVARA | 2012/09/10 | | | | | | | |
| ▽ = 0 | | CHKD BY | DATE | PRODUCT CUSTOMER DRAWING | | | | | | |
| ▼ = 0 | | PRAMASWAMY | 2010/04/01 | | | | | | | |
| ▽ = 0 | | APPR BY | DATE | SERIES | MATERIAL NUMBER | CUSTOMER | | | | |
| ⊠ = 0 | JBINGHAM | 2012/09/24 | 76849 | SEE CHART | GENERAL MARKET | | | | | |
| ■ = 0 | DRAFT WHERE APPLICABLE MUST REMAIN WITHIN DIMENSIONS | | DRAWING SIZE | THIRD ANGLE PROJECTION | DOCUMENT NUMBER | DOC TYPE | DOC PART | SHEET NUMBER | | |
| ▽ = 0 | A1 | C | C | THIRD ANGLE PROJECTION | SD-76849-0002 | PSD | 001 | 1 OF 3 | | |

| MATERIAL NUMBER | # OF COLUMNS | # OF DIFF PAIR | DIM "A" | DIM "B" | MODULE TYPE |
|-----------------|--------------|----------------|---------|---------|--------------|
| 76849-780* | 8 | 32 | 24.3 | 14.05 | WITH ENDWALL |
| 76849-380* | 8 | 32 | 22.9 | 14.05 | NO ENDWALL |
| | | | | | |



GUIDE LEFT OPEN END

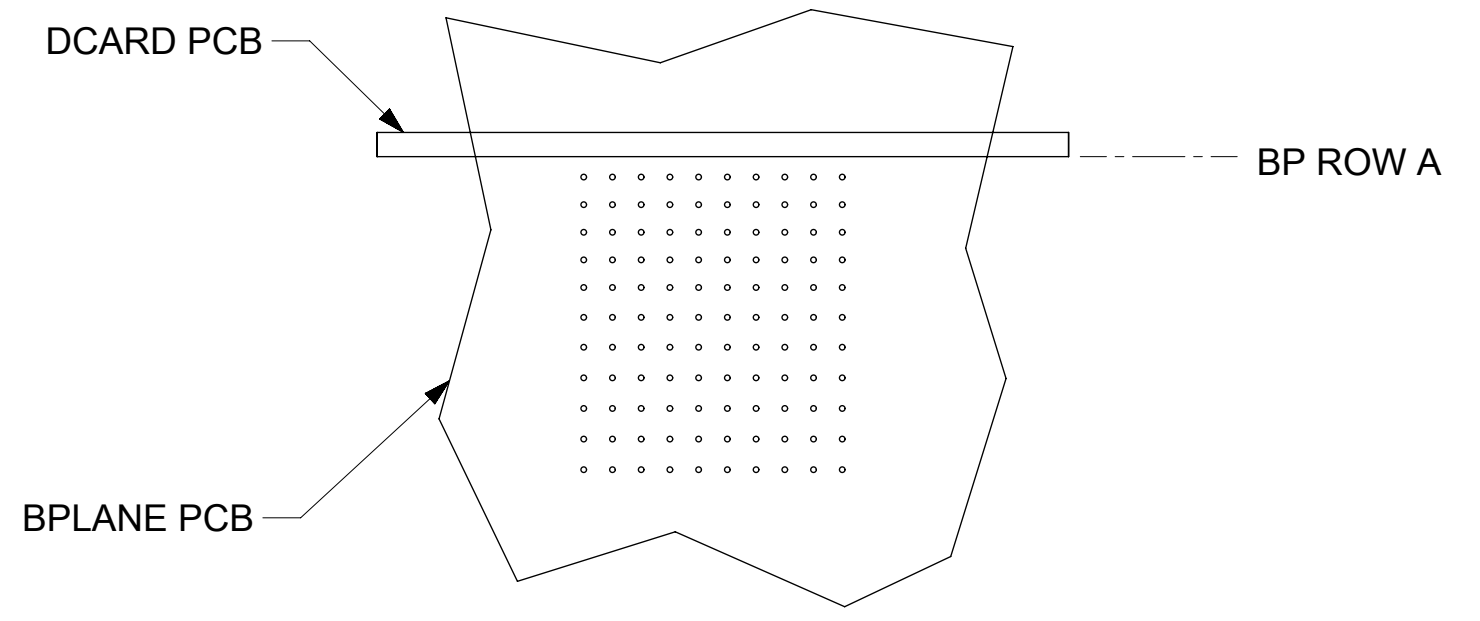
76849- * *0*

MODULE TYPE
 3 = GUIDE LEFT NO ENDWALL, TIN
 7 = GUIDE LEFT END WALL, TIN

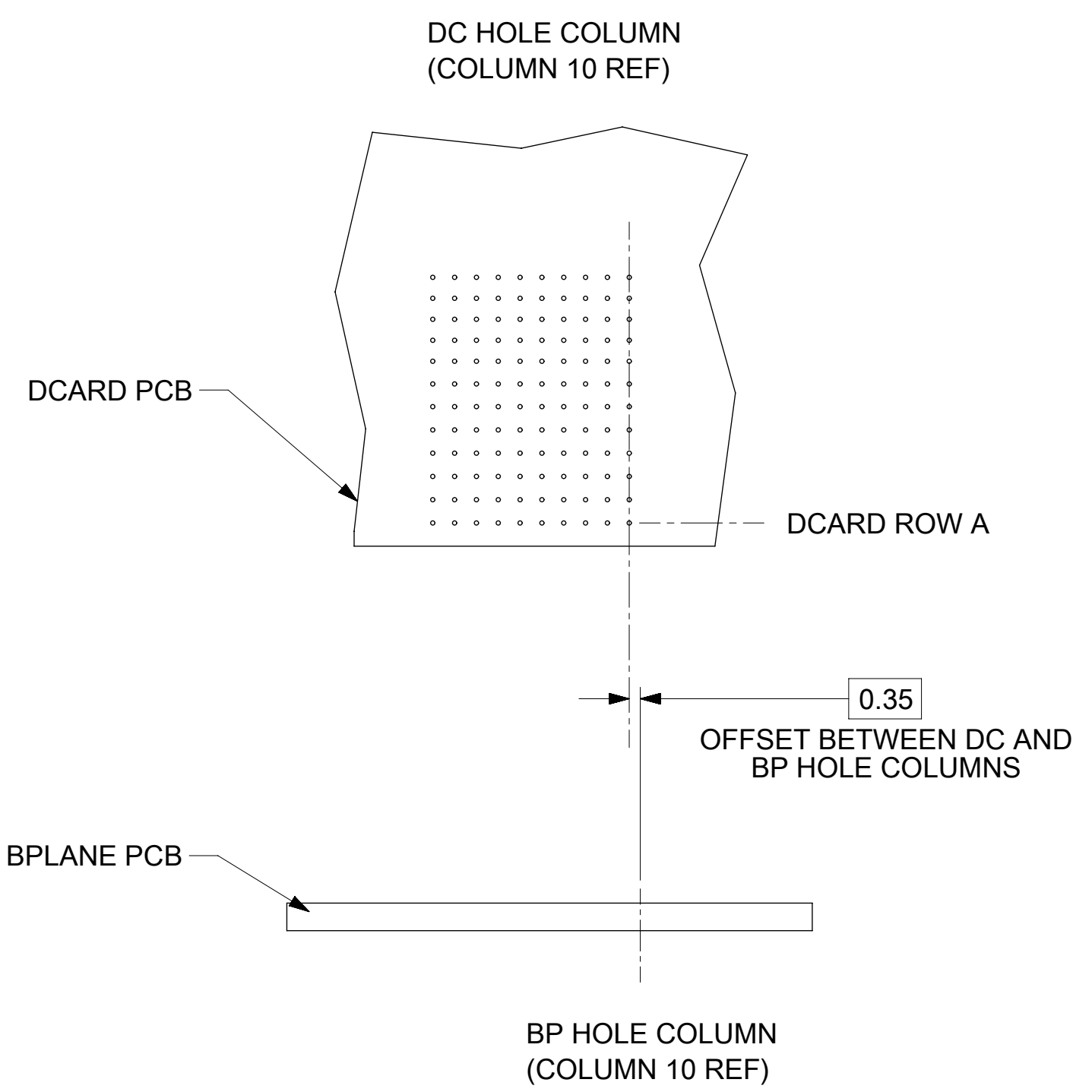
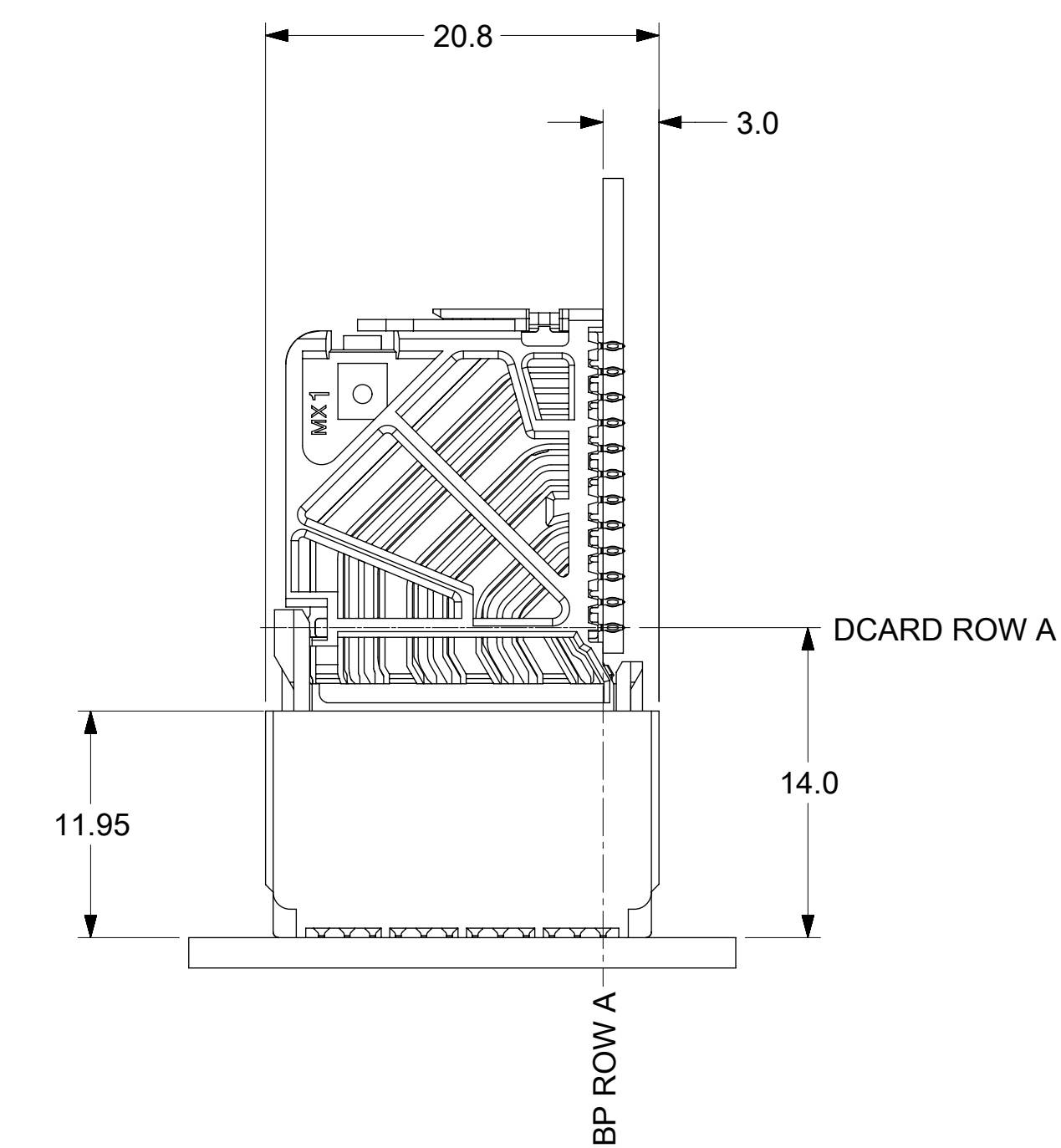
PIN LENGTH (P)
 4 = 4.90, (0.46 PTH)
 5 = 5.50, (0.46 PTH)
 7 = 4.90, (0.39 PTH)
 8 = 5.50, (0.39 PTH)

OF COLUMNS
 8 = 8 COLUMN

| | | | | | | | | | | | |
|---|---|--|---------------------------------------|------------------------|--------------------------|-----------------|--|----------|--------------|--|--|
| QUALITY SYMBOLS ▽ = 0 ▽ = 0 ▽ = 0 ▼ = 0 ▽ = 0 ☒ = 0 ■ = 0 ▽ = 0 | THIS DRAWING CONTAINS INFORMATION THAT IS PROPRIETARY TO MOLEX ELECTRONIC TECHNOLOGIES, LLC AND SHOULD NOT BE USED WITHOUT WRITTEN PERMISSION | | | | | | | | | | |
| | EC NO: 123322 DRWN: NSRVATSAHS CHKD: PRAMASWAMY APPR: PRAMASWAMY REV: | 2017/10/09 2017/10/17 2017/10/18 | GENERAL TOLERANCES (UNLESS SPECIFIED) | | DIMENSION UNITS | SCALE | | | | | |
| | | | ANGULAR TOL ± 0.5 ° | | mm | 4:1 | | | | | |
| | | | 4 PLACES ± | | DRWN BY | DATE | IMPACT ORTHO ROUTABLE 4 PAIR HEADER ASSEMBLY LEFT GUIDE SALES DRAWING | | | | |
| | | | 3 PLACES ± | | DVARVARA | 2012/09/10 | | | | | |
| | | | 2 PLACES ± 0.13 | | CHKD BY | DATE | | | | | |
| | 1 PLACE ± 0.25 | | PRAMASWAMY | 2010/04/01 | PRODUCT CUSTOMER DRAWING | | | | | | |
| | 0 PLACES ± | | APPR BY | DATE | SERIES | MATERIAL NUMBER | CUSTOMER | | | | |
| | DRAFT WHERE APPLICABLE MUST REMAIN WITHIN DIMENSIONS | | JBINGHAM | 2012/09/24 | 76849 | SEE CHART | GENERAL MARKET | | | | |
| | | | DRAWING SIZE | THIRD ANGLE PROJECTION | DOCUMENT NUMBER | | DOC TYPE | DOC PART | SHEET NUMBER | | |
| | | C | | SD-76849-0002 | | PSD | 001 | 2 OF 3 | | | |



IMPACT ORTHO 4 PAIR BOARD RELATIONSHIPS



| | | | | | | | | | | | |
|-----------------|-------|---|--|------------|--|-----------------|------------------------|---|-----------------|--------------|--|
| QUALITY SYMBOLS | | THIS DRAWING CONTAINS INFORMATION THAT IS PROPRIETARY TO MOLEX ELECTRONIC TECHNOLOGIES, LLC AND SHOULD NOT BE USED WITHOUT WRITTEN PERMISSION | | | | | | | | | |
| ▽ = 0 | ▽ = 0 | MIGRATED TO NX EC NO: 123322 DRWN: NSRVATSAHS 2017/10/09 CHKD: PRAMASWAMY 2017/10/17 REV APPR: PRAMASWAMY 2017/10/18 | GENERAL TOLERANCES (UNLESS SPECIFIED) | | | DIMENSION UNITS | SCALE | molex | | | |
| ▽ = 0 | ▽ = 0 | | ANGULAR TOL ± 0.5 ° | | | mm | 3:1 | | | | |
| ▽ = 0 | ▽ = 0 | | 4 PLACES ± | DVARVARA | | DATE | | IMPACT ORTHO ROUTABLE | | | |
| ▼ = 0 | ▽ = 0 | | 3 PLACES ± | PRAMASWAMY | | DATE | | 4 PAIR HEADER ASSEMBLY LEFT GUIDE SALES | | | |
| ▽ = 0 | ▽ = 0 | | 2 PLACES ± 0.13 | 2010/04/01 | | DATE | | DRAWING | | | |
| ▽ = 0 | ▽ = 0 | | 1 PLACE ± 0.25 | JBINGHAM | | DATE | | PRODUCT CUSTOMER DRAWING | | | |
| ☒ = 0 | ■ = 0 | 0 PLACES ± | DRAFT WHERE APPLICABLE MUST REMAIN WITHIN DIMENSIONS | | | DRAWING SIZE | THIRD ANGLE PROJECTION | SERIES | MATERIAL NUMBER | CUSTOMER | |
| ▽ = 0 | | A1 | C | | | | 76849 | SEE CHART | GENERAL MARKET | | |
| | | | | | | | DOCUMENT NUMBER | DOC TYPE | DOC PART | SHEET NUMBER | |
| | | | | | | | SD-76849-0002 | PSD | 001 | 3 OF 3 | |