

AR10106CHTSS



Sample image

Order symbol: AR10106CHTSS

Product nbr: 8561114

Description: PC Enclosure

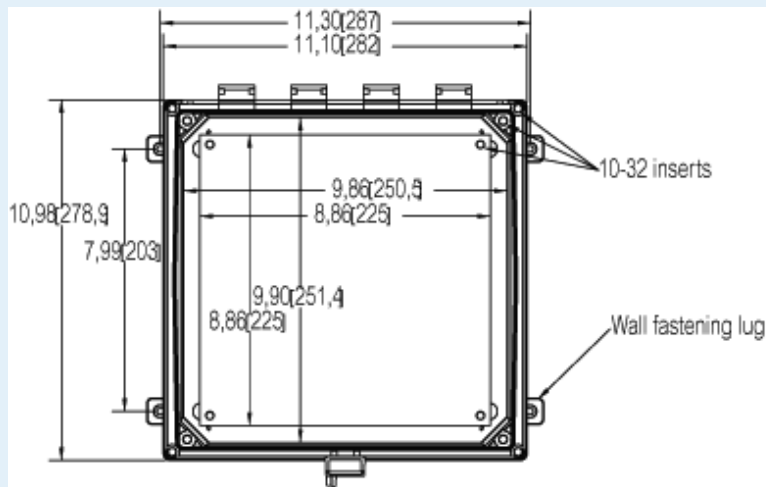
Remarks: Hinged opaque cover w/S.S. Lockable twist latch

EAN: 6418074067432

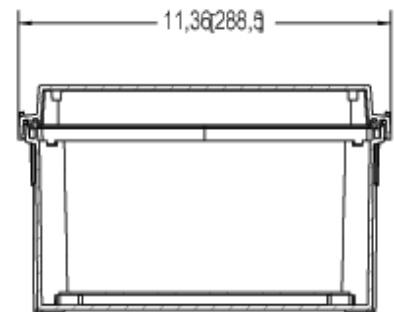
El. number:

- Finland:
- Denmark:
- Sweden:

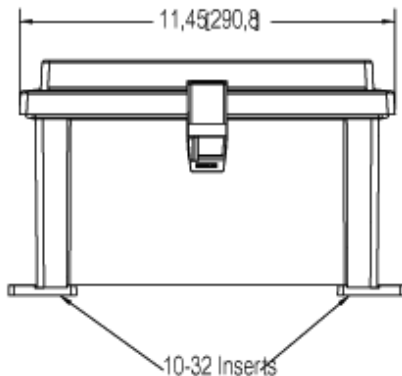
Including: Hinged cover. Base with 10-32 brass inserts, latched cover with formed in place PUR gasket, stainless hinge pin. Quick release latches. Enclosure mounting foot kit. Accessory 10-32 screws for panel mounting.



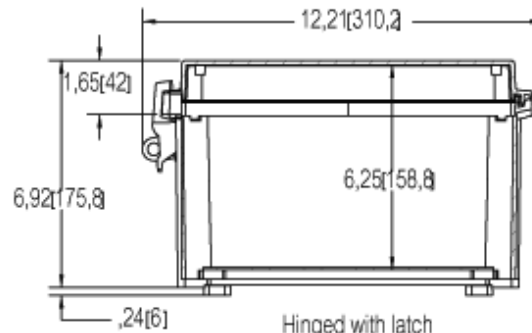
Top View - cover removed



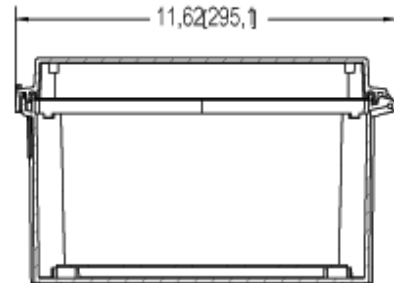
Screw cover



10-32 Inserts



Hinged with latch



Hinged screw cover

Dimensions:	Height	Width	Depth
mm:	254	254	152
inch:	10	10	6

Materials:

Material:	Polycarbonate
Base colour:	RAL 7035 -light grey
Cover colour:	RAL 7035 -light grey
Gasket material:	Polyurethane

Temperatures:

Temperature °C (short term)::	-40 ... 140
Temperature °C (continuous):	-40 ... 80
Temperature °F (short term):	-40 ... 250
Temperature °F (continuous):	-40 ... 175

Accessories:

ABP1010	Painted Steel Back Panel (226 x 226)
ASPHK10	Swing Panel Kit w/o Panel
ASPK1010	Swing Panel Kit incl. Panel
ADFP1010	Dead Front Panel w/ screws (256 x 256 x 0)
AMFL10	10" Mounting Flange Set
ALBP1010	Aluminum Back Panel (226 x 226)
APBP1010	PVC Back Panel (226 x 226)
ASP1010	Aluminum Swing Panel (254.4 x 254.5 x 0)

Rating:

Ingress protection (EN 60529):	IP66; IP67;
Impact Resistance (EN 62262):	IK09;
Electrical insulation:	Not insulated
Halogen free (DIN/VDE 0472, Part 815):	1
UV resistance:	UL 508
Flammability Rating:	UL 508
Glow Wire Test (IEC 695-2-1) °C:	960 °C
NEMA Class	NEMA 4, 4X, 6, 6P, 12, 12K and 13

Certificates:

ARCA_CertificateofCompliance