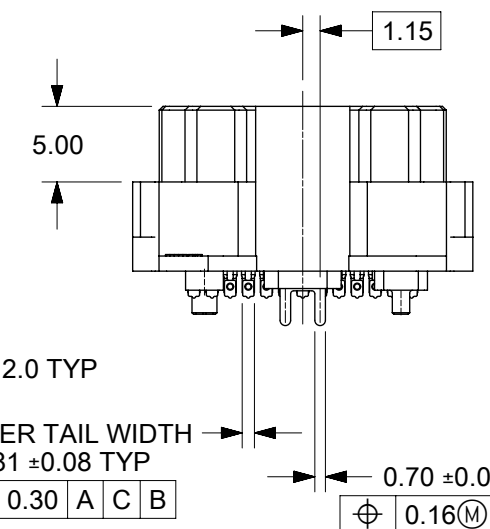
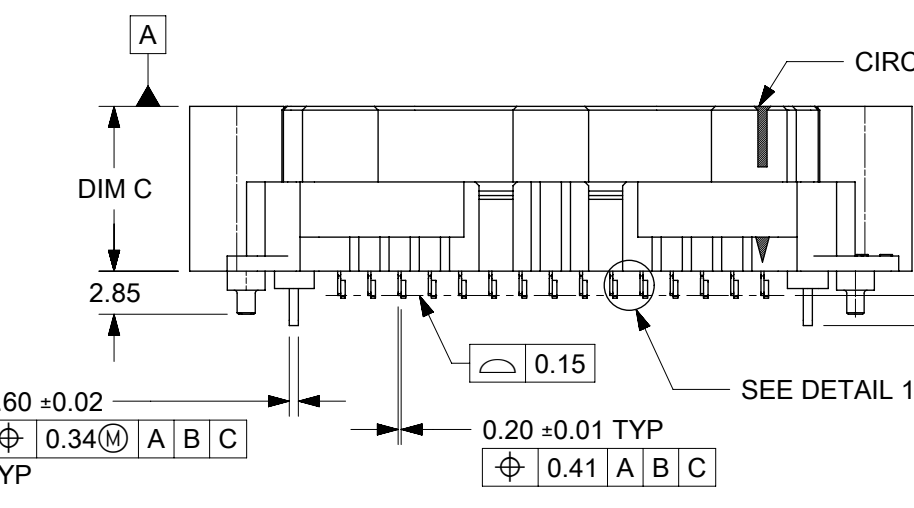
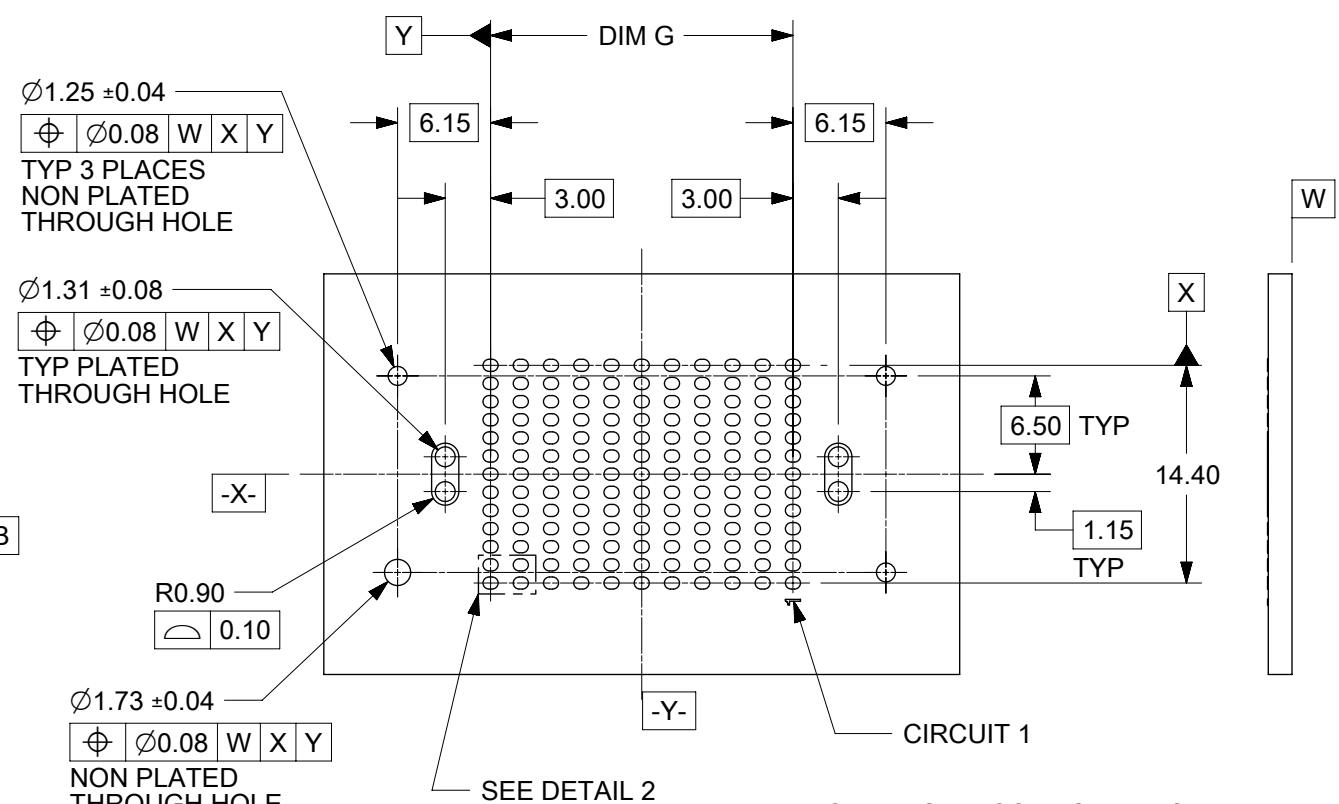


DETAIL 1
SCALE 8:1

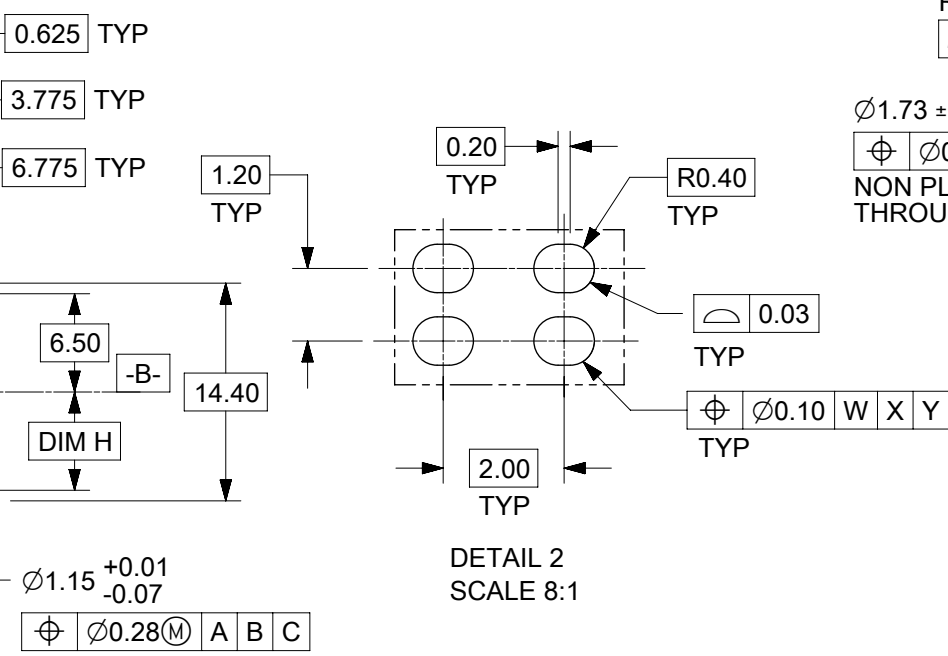
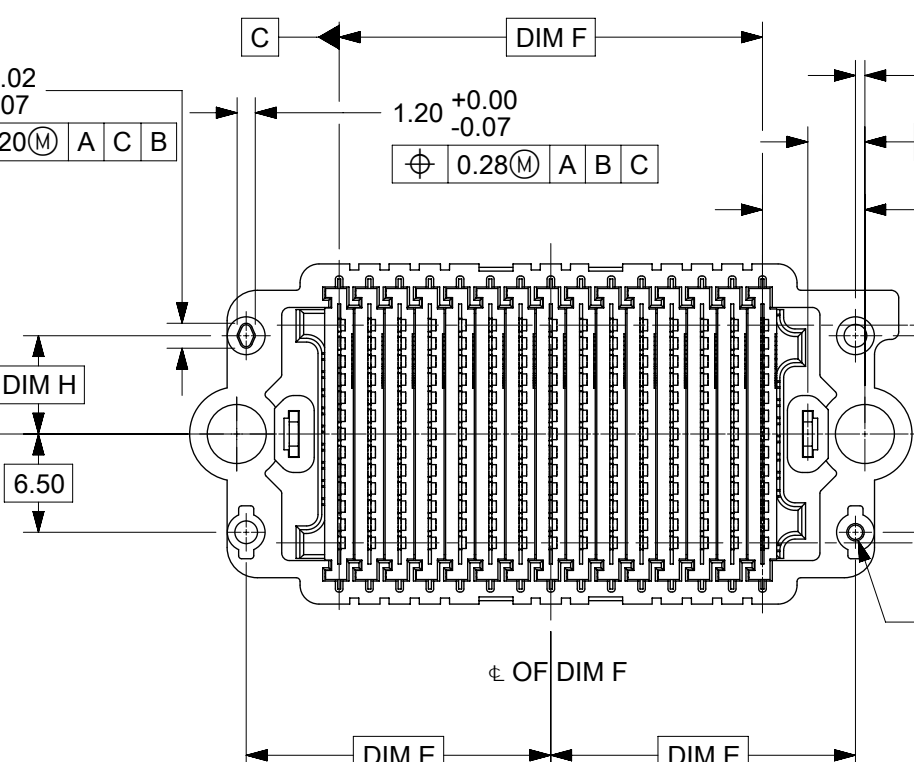
- NOTES:
- HOUSING MATERIAL: LCP, GLASS FILLED, UL 94V-0, BLACK
CONTACT MATERIAL: HIGH PERFORMANCE ALLOY
SOLDER NAIL MATL: STAINLESS STEEL
SOLDER CHARGE MATL: SEE TABLE
 - FINISH: SELECT GOLD 30 MICRO-INCHES MINIMUM IN CONTACT AREA
SELECT TIN: 100 MICRO-INCHES MINIMUM IN PCB TAIL
BOTH OVER NICKEL
 - PRODUCT SPEC: PS-45802-001
 - COSMETIC SPEC; PS-45499-002 CLASS B
 - PACKAGING SPEC: PK-45802-001 MOLEX STANDARD TRAYS
PK-45802-0002 JEDEC STYLE TRAYS
 - DIM B (TYP) TO BE MEASURED AT TWO END COLUMNS ONLY.
 - THERE ARE 13 CKTS PER ROW



DETAIL 2
SCALE 8:1

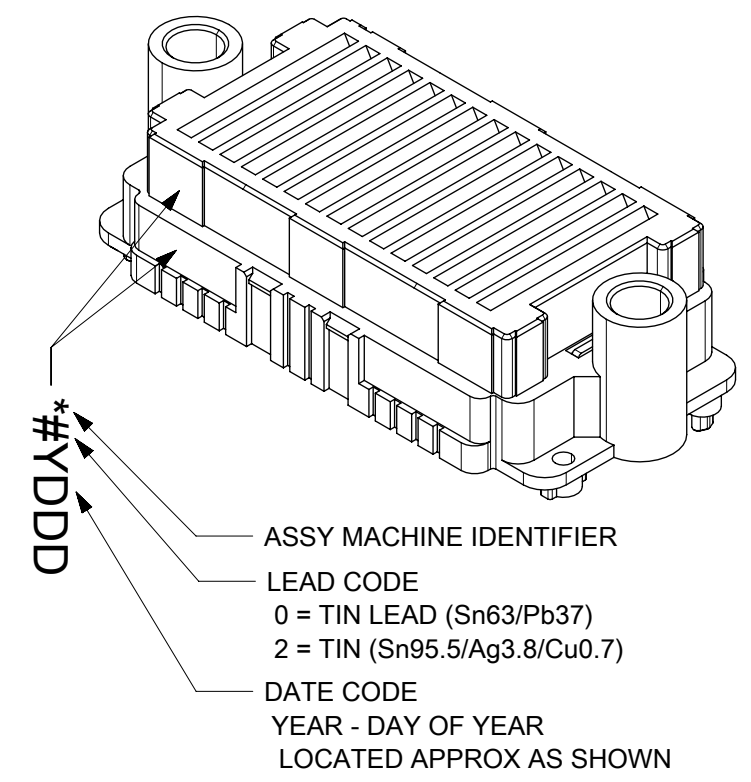
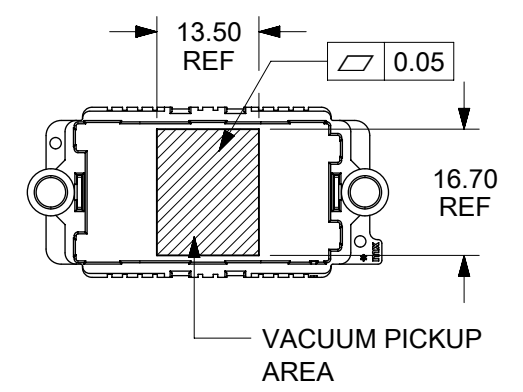


PCB LAYOUT: COMPONENT SIDE
FOR DIM H = 6.50 CONNECTORS
PCB THICKNESS: NA



THIS DRAWING CONTAINS INFORMATION THAT IS PROPRIETARY TO MOLEX ELECTRONIC TECHNOLOGIES, LLC AND SHOULD NOT BE USED WITHOUT WRITTEN PERMISSION																															
DIMENSION UNITS		SCALE		CURRENT REV DESC: INCLUDE DIMENSION H																											
mm		NTS		<table border="1"> <tr> <td colspan="4">molex</td> </tr> <tr> <td colspan="4">HIGH DENSITY MEZZANINE RECEPTACLE ASSEMBLY</td> </tr> <tr> <td colspan="4">PRODUCT CUSTOMER DRAWING</td> </tr> <tr> <td>DOCUMENT NUMBER</td> <td>DOC TYPE</td> <td>DOC PART</td> <td>REVISION</td> </tr> <tr> <td>SD-45802-0001</td> <td>PSD</td> <td>001</td> <td>J4</td> </tr> </table>								molex				HIGH DENSITY MEZZANINE RECEPTACLE ASSEMBLY				PRODUCT CUSTOMER DRAWING				DOCUMENT NUMBER	DOC TYPE	DOC PART	REVISION	SD-45802-0001	PSD	001	J4
molex																															
HIGH DENSITY MEZZANINE RECEPTACLE ASSEMBLY																															
PRODUCT CUSTOMER DRAWING																															
DOCUMENT NUMBER	DOC TYPE	DOC PART	REVISION																												
SD-45802-0001	PSD	001	J4																												
GENERAL TOLERANCES (UNLESS SPECIFIED)																															
ANGULAR TOL ± 0.5°																															
4 PLACES ±																															
3 PLACES ± 0.05																															
2 PLACES ± 0.15																															
1 PLACE ± 0.3																															
0 PLACES ±																															
DRAFT WHERE APPLICABLE MUST REMAIN WITHIN DIMENSIONS																															
THIRD ANGLE PROJECTION		DRAWING		SERIES		MATERIAL NUMBER		CUSTOMER		SHEET NUMBER																					
		B-SIZE		45802		SEE TABLE		GENERAL MARKET		1 OF 3																					

F
E
D
C
B
A



PARTS SHOWN ON THIS SHEET
HAVE THE FOLLOWING OPTIONS:

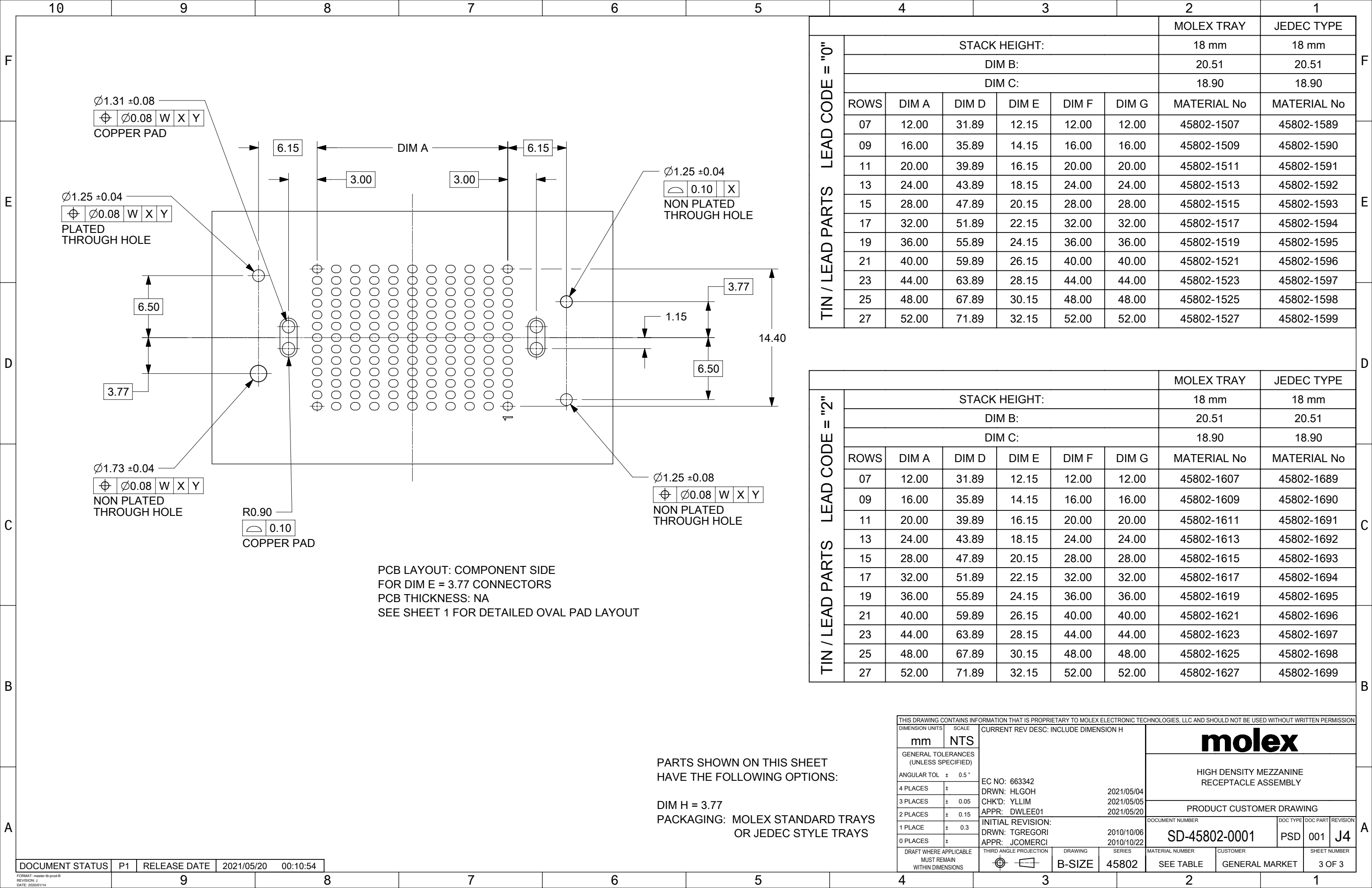
DIM H = 6.50
PACKAGING: MOLEX STANDARD TRAYS

TIN PARTS LEAD CODE = "2"	STACK HEIGHT:					8mm	10mm	18mm		
	DIM B:					10.51	12.51	20.51		
	DIM C:					8.90	10.90	18.90		
	ROWS	DIM A	DIM D	DIM E	DIM F	DIM G	MATERIAL NO	MATERIAL NO	MATERIAL NO	
	07	12.00	31.89	12.15	12.00	12.00				
	09	16.00	35.89	14.15	16.00	16.00				
	11	20.00	39.89	16.15	20.00	20.00	45802-0311		45802-1211	
	13	24.00	43.89	18.15	24.00	24.00				
	15	28.00	47.89	20.15	28.00	28.00	45802-0215			
	17	32.00	51.89	22.15	32.00	32.00				
19	36.00	55.89	24.15	36.00	36.00					
21	40.00	59.89	26.15	40.00	40.00					
23	44.00	63.89	28.15	44.00	44.00	45802-0223	45802-2223			
25	48.00	67.89	30.15	48.00	48.00					
27	52.00	71.89	32.15	52.00	52.00					

NOTE:
1. SOLDER CHARGE COMPOSITION
TIN/LEAD: Sn 63/Pb 37
TIN Sn 95.5/ Ag 3.8/ Cu 0.7

THIS DRAWING CONTAINS INFORMATION THAT IS PROPRIETARY TO MOLEX ELECTRONIC TECHNOLOGIES, LLC AND SHOULD NOT BE USED WITHOUT WRITTEN PERMISSION											
DIMENSION UNITS mm		SCALE NTS		CURRENT REV DESC: INCLUDE DIMENSION H							
GENERAL TOLERANCES (UNLESS SPECIFIED)				EC NO: 663342							
ANGULAR TOL ± 0.5°				DRWN: HLG0H 2021/05/04						HIGH DENSITY MEZZANINE RECEPTACLE ASSEMBLY	
4 PLACES ±				CHK'D: YLLIM 2021/05/05						PRODUCT CUSTOMER DRAWING	
3 PLACES ± 0.05				APPR: DWLEE01 2021/05/20						DOCUMENT NUMBER	
2 PLACES ± 0.15				INITIAL REVISION:						SD-45802-0001	
1 PLACE ± 0.3				DRWN: TREGORI 2010/10/06						DOC TYPE DOC PART REVISION	
0 PLACES ±				APPR: JCOMERCI 2010/10/22						PSD 001 J4	
DRAFT WHERE APPLICABLE MUST REMAIN WITHIN DIMENSIONS		THIRD ANGLE PROJECTION		DRAWING		SERIES		MATERIAL NUMBER		CUSTOMER	
		B-SIZE		45802		SEE TABLE		GENERAL MARKET		SHEET NUMBER	
										2 OF 3	

DOCUMENT STATUS	P1	RELEASE DATE	2021/05/20	00:10:54
-----------------	----	--------------	------------	----------



						MOLEX TRAY	JEDEC TYPE
STACK HEIGHT:						18 mm	18 mm
DIM B:						20.51	20.51
DIM C:						18.90	18.90
ROWS	DIM A	DIM D	DIM E	DIM F	DIM G	MATERIAL No	MATERIAL No
07	12.00	31.89	12.15	12.00	12.00	45802-1507	45802-1589
09	16.00	35.89	14.15	16.00	16.00	45802-1509	45802-1590
11	20.00	39.89	16.15	20.00	20.00	45802-1511	45802-1591
13	24.00	43.89	18.15	24.00	24.00	45802-1513	45802-1592
15	28.00	47.89	20.15	28.00	28.00	45802-1515	45802-1593
17	32.00	51.89	22.15	32.00	32.00	45802-1517	45802-1594
19	36.00	55.89	24.15	36.00	36.00	45802-1519	45802-1595
21	40.00	59.89	26.15	40.00	40.00	45802-1521	45802-1596
23	44.00	63.89	28.15	44.00	44.00	45802-1523	45802-1597
25	48.00	67.89	30.15	48.00	48.00	45802-1525	45802-1598
27	52.00	71.89	32.15	52.00	52.00	45802-1527	45802-1599

						MOLEX TRAY	JEDEC TYPE
STACK HEIGHT:						18 mm	18 mm
DIM B:						20.51	20.51
DIM C:						18.90	18.90
ROWS	DIM A	DIM D	DIM E	DIM F	DIM G	MATERIAL No	MATERIAL No
07	12.00	31.89	12.15	12.00	12.00	45802-1607	45802-1689
09	16.00	35.89	14.15	16.00	16.00	45802-1609	45802-1690
11	20.00	39.89	16.15	20.00	20.00	45802-1611	45802-1691
13	24.00	43.89	18.15	24.00	24.00	45802-1613	45802-1692
15	28.00	47.89	20.15	28.00	28.00	45802-1615	45802-1693
17	32.00	51.89	22.15	32.00	32.00	45802-1617	45802-1694
19	36.00	55.89	24.15	36.00	36.00	45802-1619	45802-1695
21	40.00	59.89	26.15	40.00	40.00	45802-1621	45802-1696
23	44.00	63.89	28.15	44.00	44.00	45802-1623	45802-1697
25	48.00	67.89	30.15	48.00	48.00	45802-1625	45802-1698
27	52.00	71.89	32.15	52.00	52.00	45802-1627	45802-1699

PARTS SHOWN ON THIS SHEET
HAVE THE FOLLOWING OPTIONS:

DIM H = 3.77
PACKAGING: MOLEX STANDARD TRAYS
OR JEDEC STYLE TRAYS

THIS DRAWING CONTAINS INFORMATION THAT IS PROPRIETARY TO MOLEX ELECTRONIC TECHNOLOGIES, LLC AND SHOULD NOT BE USED WITHOUT WRITTEN PERMISSION

DIMENSION UNITS	SCALE	CURRENT REV DESC: INCLUDE DIMENSION H		molex			
mm	NTS						
GENERAL TOLERANCES (UNLESS SPECIFIED)				HIGH DENSITY MEZZANINE RECEPTACLE ASSEMBLY			
ANGULAR TOL	± 0.5°	EC NO: 663342		PRODUCT CUSTOMER DRAWING			
4 PLACES	±	DRWN: HLG0H		DOCUMENT NUMBER			
3 PLACES	± 0.05	CHK'D: YLLIM		SD-45802-0001			
2 PLACES	± 0.15	APPR: DWLEE01		DOC TYPE			
1 PLACE	± 0.3	INITIAL REVISION:		DOC PART			
0 PLACES	±	DRWN: TREGORI		REVISION			
DRAFT WHERE APPLICABLE MUST REMAIN WITHIN DIMENSIONS		THIRD ANGLE PROJECTION		SERIES		SHEET NUMBER	
		DRAWING		45802		3 OF 3	