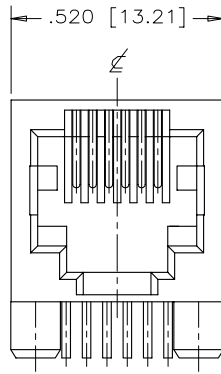
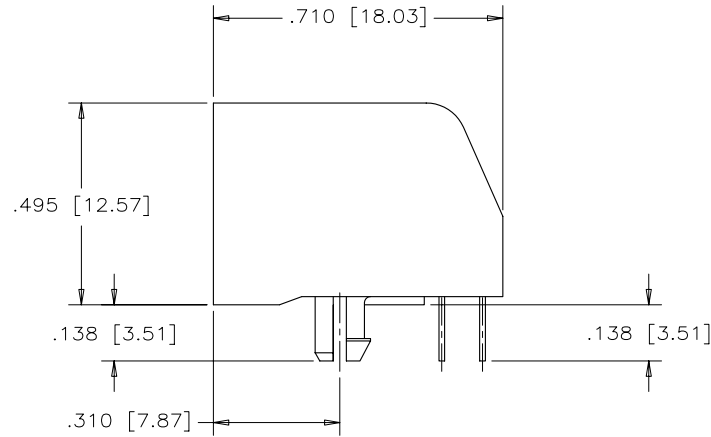


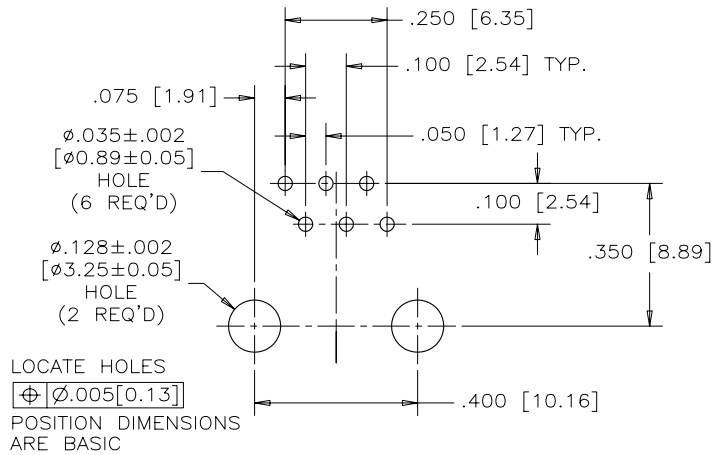
REVISIONS				
SYM	ZONE	ECN, ERN NO.	DATE	APPRD.
A		PROPOSAL	SEP 30,09	L.CHAN



FRONT VIEW



SIDE VIEW



RECOMMENDED P.C.B. LAYOUT
(COMPONENT SIDE OF BOARD)

MATERIALS:

PLASTIC HOUSING: HIGH TEMPERATURE THERMOPLASTIC
FLAMMABILITY RATING UL94V-0
COLOR: BLACK

CONTACTS:

PHOSPHOR BRONZE
PLATING: REFER TO PART NUMBER FOR GOLD THICKNESS ON MATING SURFACES.
50 μ" [1.27 MICRONS]
MIN. NICKEL UNDERPLATE.
100 μ" [2.54 MICRONS]
MIN. MATTE-TIN ON CONTACT TAILS.

PART NUMBER: RJE03-166-0X10-H

- 1 = 06 μ" GOLD
- 2 = 15 μ" GOLD
- 3 = 30 μ" GOLD
- 4 = 50 μ" GOLD

THIS DOCUMENT CONTAINS PROPRIETARY INFORMATION AND SUCH INFORMATION MAY NOT BE DISCLOSED TO OTHERS FOR ANY PURPOSE OR USED FOR MANUFACTURING PURPOSES WITHOUT WRITTEN PERMISSION FROM AMPHENOL CANADA CORP.

DRAWN <i>Huilan Wang</i>	DATE <i>Sep 30,09</i>	Amphenol Canada Corp.		
DESIGNED <i>MT.Chen</i>	DATE <i>Sep 30,09</i>			
CHECKED <i>L.Chan</i>	DATE <i>Sep 30,09</i>	TITLE		
I. E. APPRD.		MODULAR JACK 6 POSITIONS, 6 CONTACTS, WITHOUT SIDE FLANGES SINGLE PORT - RoHS COMPLIANT		
Q. A. APPRD.		DWG	DRAWING NO.	REV.
DWG. APPRD.			P-RJE03-166-0X10H	A
ENG. REL. NO.		SCALE	WT. -----	SURF. -----
REF.		DIMENSIONS ARE IN	CODE ID. NO.	SHEET 1 OF 1
		INCHES [mm]	03554	