

LOC	DIST	REVISIONS					
A	00	P	LTR	DESCRIPTION	DATE	DWN	APVD
			C1	SEE PRODUCT DRAWING	-	-	-


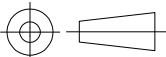
SEE CUSTOMER ACCESSIBLE  
 PRODUCTION DRAWING  
 567499

RELEASED FOR PUBLICATION

ALL RIGHTS RESERVED.

THIS DRAWING IS UNPUBLISHED.

© COPYRIGHT - By -

DIMENSIONS: INCHES	DWN	M.YOUNGER	15APR2014	MATERIAL	-	FINISH	-
	CHK	G. BAILEY	-15APR2014	 TE Connectivity			
TOLERANCES UNLESS OTHERWISE SPECIFIED:	APVD	G. BAILEY	15APR2014				
0 PLC ± -	PRODUCT SPEC			NAME			
1 PLC ± -	-			END FEED HDM APPLICATOR			
2 PLC ± -	APPLICATION SPEC			-			
3 PLC ± -	-			SIZE	CAGE CODE	DRAWING NO	RESTRICTED TO
4 PLC ± -	-			A4	00779	C-567499	-
ANGLES ± -	WEIGHT			CUSTOMER DRAWING			
			SCALE		1:1	SHEET	1 OF 1
			REV		C1		