



UL Approved Illuminated Anti-Vandal Pushbutton – 22mm

## Specifications

Electrical Ratings	3A @ 125VAC, 65°C, 50K cycles 3A @ 250VAC, 65°C, 50K cycles	Actuation Force	200 ±50gF SPDT 250 ±50gF DPDT
Electrical Life	50,000 cycles typical	Actuation Travel	3.2 ± .25mm
Mechanical Life	1,000,000 cycles typical momentary 500,000 cycles typical latching	Dielectric Strength	2,000Vrms min between contacts
Contact Resistance	≤ 50mΩ initial	Insulation Resistance	≥ 1,000MΩ min @ 500VDC
		Sealing Degree	IP67
		Operating Temperature	-20°C to 55°C
		Storage Temperature	-20°C to 55°C

## Materials

Actuator	Stainless Steel, Anodized Aluminum
LED Lens	Polycarbonate (PC)
Threaded Body	Stainless Steel, Anodized Aluminum
Terminal Support	Polybutylene Terephthalate (PBT)
Inner Switch Body	Polybutylene Terephthalate (PBT)
Contacts	Silver plated Copper Alloy
Terminals	Silver plated Copper Alloy
Hardware	One Hex Nut & One "O" Ring Supplied

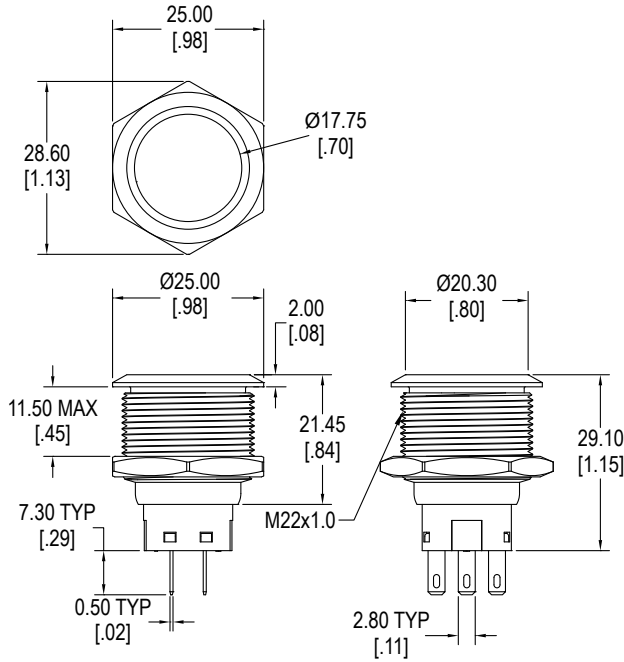
## Ordering Information

1. Series	DH22U	1	N	B	S	R	12
DH22U							
2. Number of Poles 1 = SPDT 2 = DPDT							
3. Latching Option N = Momentary L = Latching							
4. Actuator Style: A = Flush actuator, non-illuminated B = Flush actuator, ring illuminated							
5. Switch Finish S = Stainless Steel B = Black Anodized Aluminum							
6. First LED Color Z = No LED R = Red Y = Yellow G = Green B = Blue W = White							
7. LED Voltage Z = No LED      24 = 24V 6 = 6V            110 = 110V 12 = 12V        220 = 220V N = No internal resistor in series with the LED							

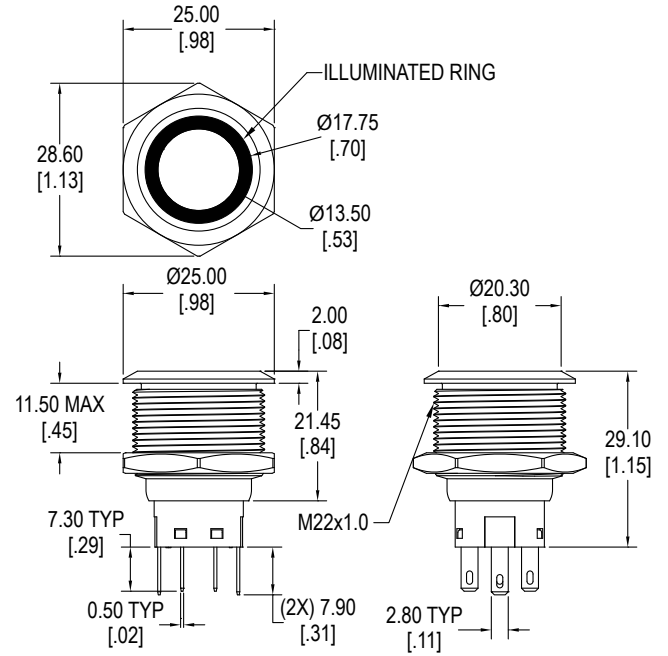
OPTIONAL Socket Housing available

## Dimensions

A Actuator

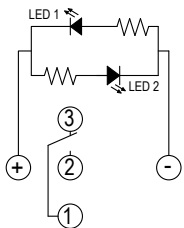


B Actuator

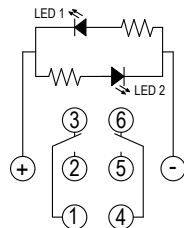


## Schematics

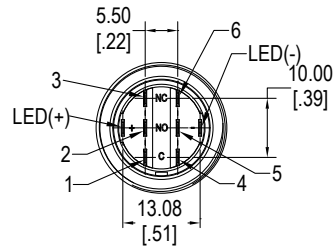
Single Pole, Double Throw



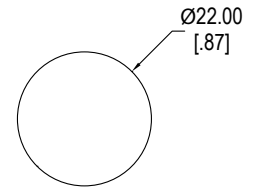
Double Pole, Double Throw



Bottom View

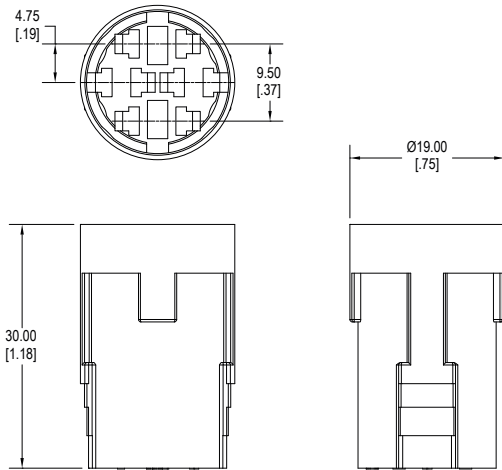


Panel Cutout



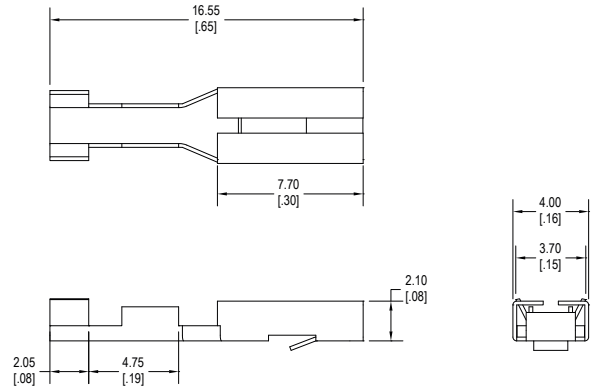
## Optional Socket Housing

SS2002



SS Terminal

For use with wire sizes 18AWG to 24AWG



## LED Characteristics

LED Ratings		Color					Units
		R	Y	G	B	W	
Reverse Voltage	$V_R$	5	5	5	5	5	V
Forward Current (peak)	$I_{FS}$	120	120	160	160	160	mA
Reverse Current $V_R = 5V$	$I_R$	10	10	10	10	10	$\mu A$
Power Dissipation	$P_T$	80	80	120	120	120	mW
Forward Voltage (typ) $I_F = 20mA$	$V_F$	2.1	2.1	3.3	3.3	3.0	V
Luminous Intensity, $I_F = 20mA$	LI	120	120	170	100	700	mcd

**Custom Capabilities** Contact Factory

Cable Assemblies



Shine Through Symbols



Custom Laser Etching



Custom Plastic Convex Actuators

