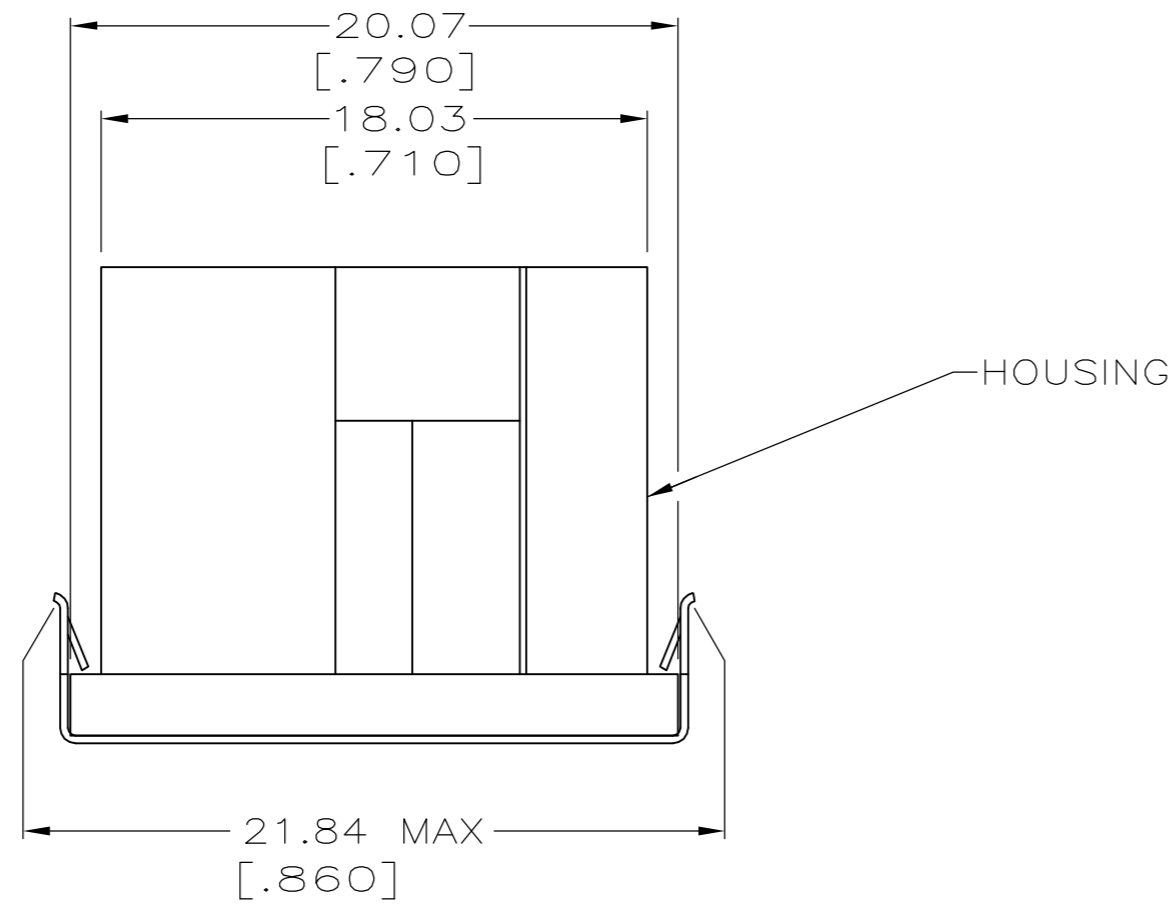
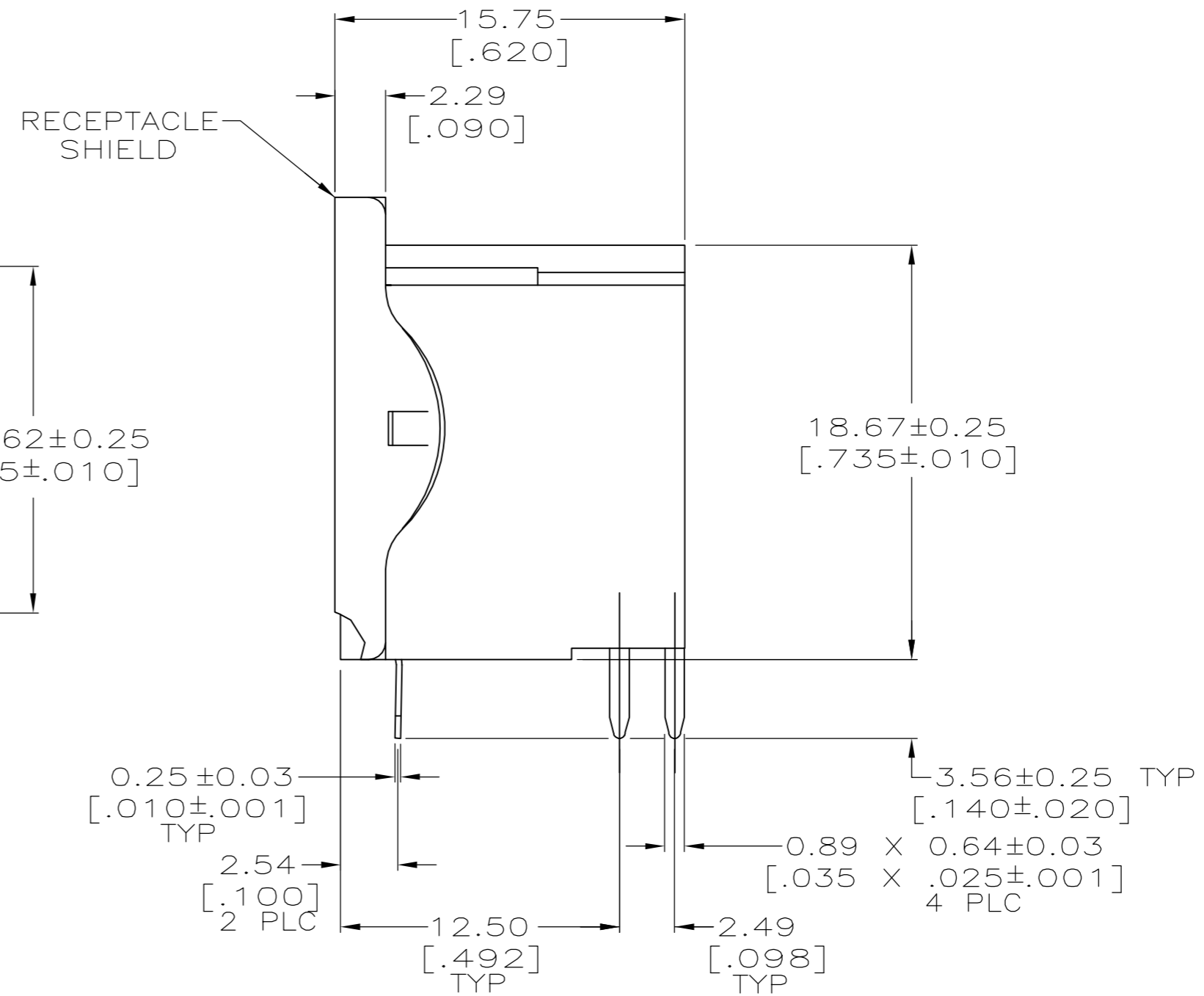
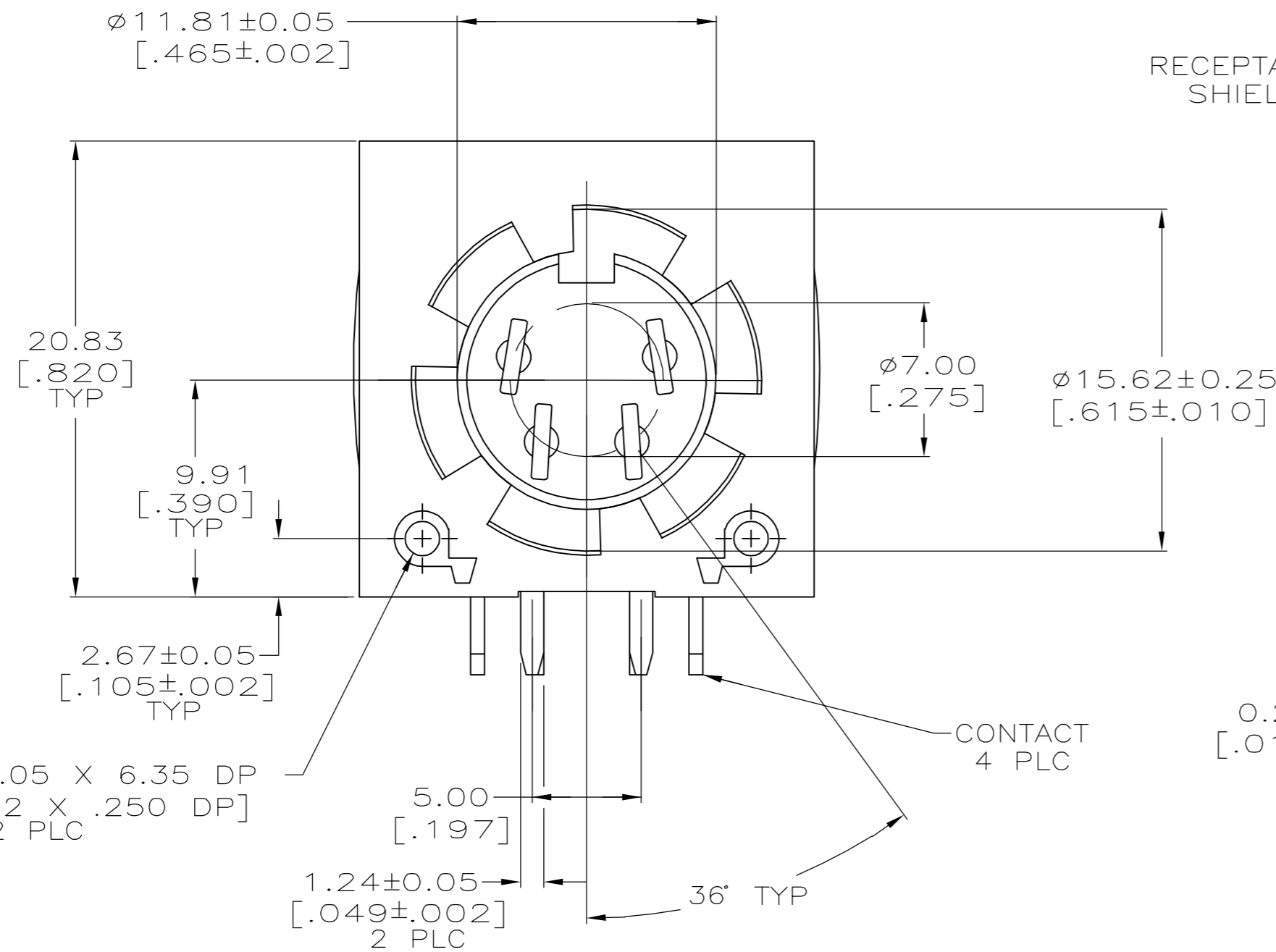


THIS DRAWING IS UNPUBLISHED. RELEASED FOR PUBLICATION
 © COPYRIGHT BY TYCO ELECTRONICS CORPORATION. ALL RIGHTS RESERVED.

LOC	DIST	REVISIONS			
P	LTR	DESCRIPTION	DATE	DWN	APVD
GP	00	01	REVISED PER ECO-07-008008	10APR07	JDP/CWR



- ① HOUSING: NYLON, UL 94V-0 RATED, BLACK.
- ② CONTACTS & RECEPTACLE SHIELD: 2.54μm [.000100] MIN TIN OVER 1.27μm [.000050] MIN NICKEL.
- ③ ACCEPTS #2 SELF-TAPPING SCREW, .250 LONG REF.
- ④ CONTACTS & RECEPTACLE SHIELD: BRASS.



③ $\phi 1.60 \pm 0.05 \times 6.35$ DP
 $[\ .063 \pm .002 \times .250$ DP]
 2 PLC

5212032-1
 PART NUMBER

THIS DRAWING IS A CONTROLLED DOCUMENT.		DWN L. VARELA - DOCK5 11-11-04	Tyco Electronics Corporation Harrisburg, PA 17105-3608	
DIMENSIONS: mm [INCHES]		CHK C. ROHDE 11-11-04	NAME M. WALMSLEY 11-11-04	
TOLERANCES UNLESS OTHERWISE SPECIFIED:		APVD M. WALMSLEY 11-11-04	PRODUCT SPEC 108-10047	
0 PLC ± -		APPLICATION SPEC 114-40025		
1 PLC ± -		SIZE A2		
2 PLC ± 0.13[.005]		CAGE CODE 00779		
3 PLC ± -		DRAWING NO C=5212032		
4 PLC ± -		RESTRICTED TO -		
ANGLES ± 0° 30'		SCALE 4:1		
MATERIAL ① ④		SHEET 1 of 1		
FINISH ②		REV 01		
CUSTOMER DRAWING				