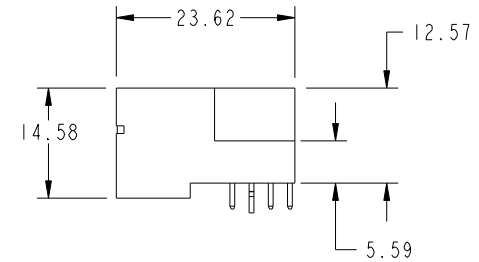
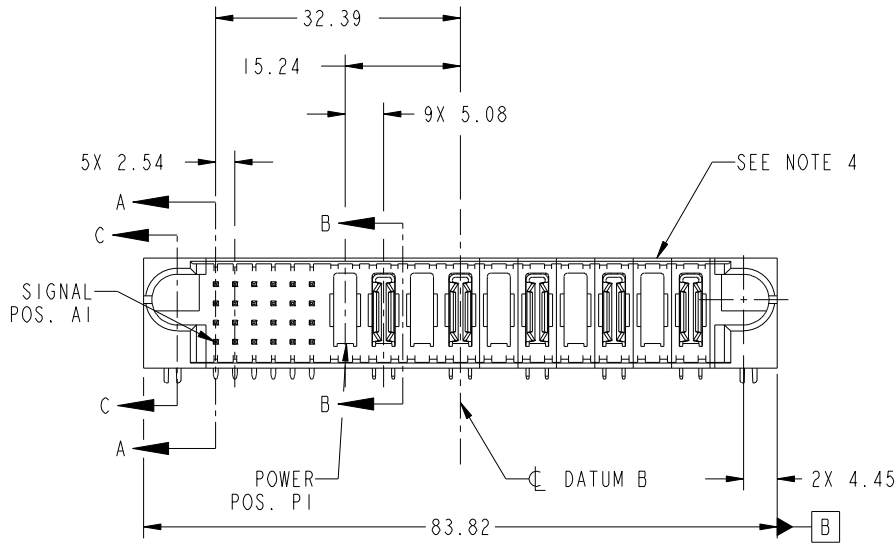
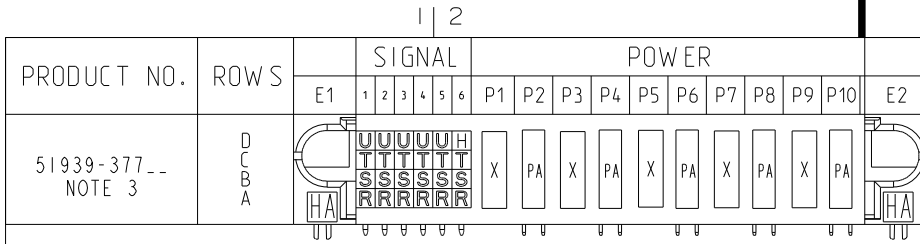


Tous droits strictement réservés. Reproduction ou communication a des tiers interdite sous quelque forme que ce soit sans autorisation écrite du propriétaire. Propriété de c.FCI. Droits de reproduction FCI.

All rights strictly reserved. Reproduction or issue to third parties in any form whatever is not permitted without written authority from the proprietor. Property of FCI. Copyright FCI.



CODE	DIM "M" MATING LENGTH	CONTACT TYPE
U	[6.86]	SIGNAL
T	[6.86]	SIGNAL
S	[6.86]	SIGNAL
R	[6.86]	SIGNAL
PA	[N/A]	POWER
HA	[N/A]	HOLD-DOWN
H	[5.59]	SIGNAL
X	OMITTED	

mat'l code				SEE NOTE		tolerances unless otherwise specified		CUSTOMER		FCI	
lir	ecn no.	dr	date	linear	0.X ±0.5	COPY		www.fciconnect.com		title	
A	DG08-0240	W D	09/03/08	angles	0.XX ±0.25	projection		24S + 10P		RIGHT ANGLE SOLDER HEADER	
					0.XXX ±0.1	MM		product family		code	
				dr	0° ±2°	scale		PwrBlade		213	
				enr	Warren Du 08/19/08	1:1		size		sheet	
				enr	Jerome Chen 08/19/08			dwg no		1 of 4	
				chr	Gary Hsieh 08/19/08			51939-377			
				appd	JOSEPH HSIA 08/19/08						
sheet index	revision sheet	A 1	A 2	A 3	A 4						

A

B

A

B

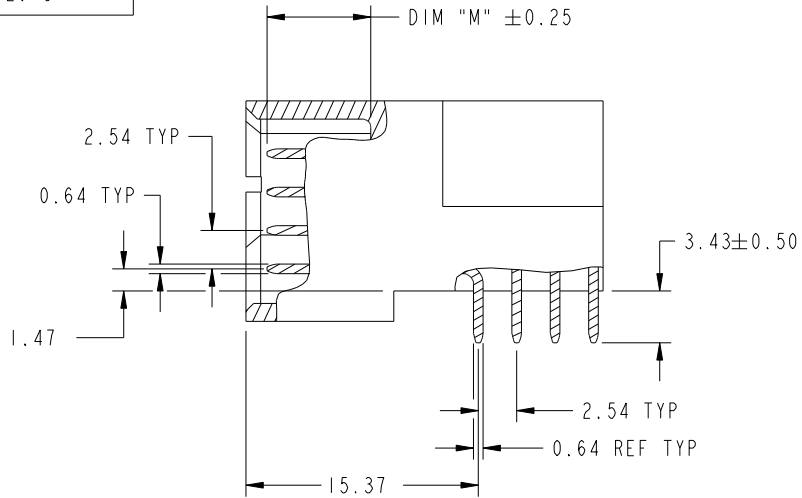
Tous droits strictement reserves. Reproduction ou communication a des tiers interdite sous quelque forme que ce soit sans autorisation ecrite du proprietaire. Propriete de c.FCI. Droits de reproduction FCI.

All rights strictly reserved. Reproduction or issue to third parties in any form whatever is not permitted without written authority from the proprietor. Property of FCI. Copyright FCI.

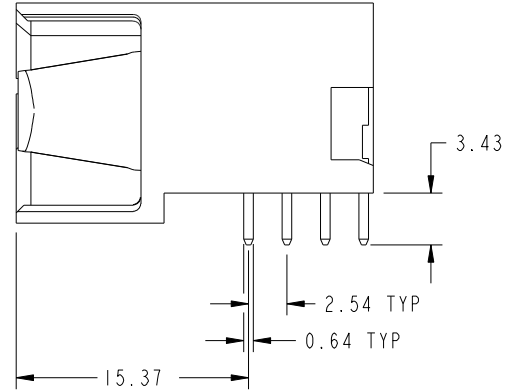


PRODUCT NUMBER

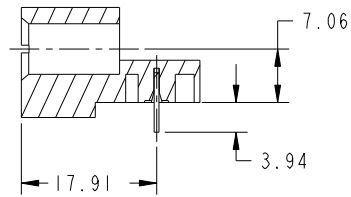
51939-377\_  
NOTE: 3



BROKEN-OUT SECTION A-A  
SCALE 2:1



BROKEN-OUT SECTION B-B  
SCALE 2:1



SECTION C-C

mat'l code		SEE NOTE		tolerances unless otherwise specified		CUSTOMER		 www.fciconnect.com	
lir	ecn no.	dr	date	linear	0.X ±0.5	COPY		title	
A				linear	0.XX ±0.25	projection		24S + 10P	
				angles	0.XXX ±0.1			RIGHT ANGLE SOLDER HEADER	
					0° ±2°			product family	
				dr	Warren Du 08/19/08	MM		PwrBlade	
				enrg	Jerome Chen 08/19/08			code	
				chr	Gary Hsieh 08/19/08	1:1		213	
				appd	JOSEPH HSIA 08/19/08			sheet	
sheet index		revision sheet						A 51939-377	
								2 of 4	

cage code 28516

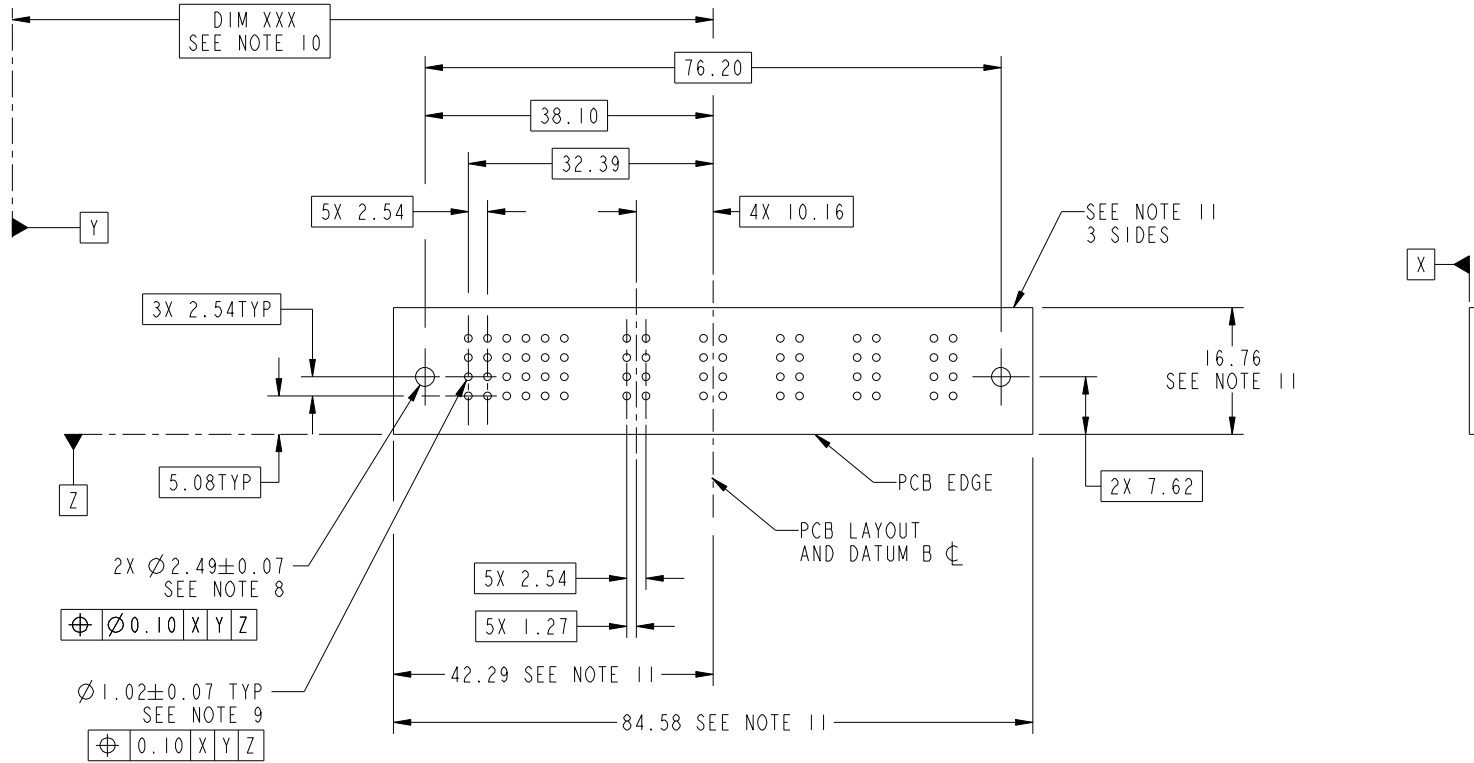
Tous droits strictement réservés. Reproduction ou communication a des tiers interdite sous quelque forme que ce soit sans autorisation écrite du propriétaire. Propriété de c.FCI. Droits de reproduction FCI.

All rights strictly reserved. Reproduction or issue to third parties in any form whatever is not permitted without written authority from the proprietor. Property of FCI. Copyright FCI.



PRODUCT NUMBER

51939-377\_\_  
NOTE: 3



RECOMMENDED PCB LAYOUT

mat'l code		SEE NOTE		tolerances unless otherwise specified		CUSTOMER		 www.fciconnect.com	
ltr	ecn no.	dr	date	linear	0.X ±0.5	COPY		title	
A				linear	0.XX ±0.25	projection		24S + 10P	
				angles	0.XXX ±0.1			RIGHT ANGLE SOLDER HEADER	
					0° ±2°			product family	
				dr	Warren Du 08/19/08	MM		PwrBlade	
				enr	Jerome Chen 08/19/08			code	
				chr	Gary Hsieh 08/19/08	scale		213	
				appd	JOSEPH HSIA 08/19/08	1:1		sheet	
sheet index		revision sheet						3 of 4	
								A 51939-377	

cage code 28506

Pro/E

PDM: Rev: A

STATUS: Released

Printed: Dec 20, 2010

Tous droits strictement reserves. Reproduction ou communication a des tiers interdite sous quelque forme que ce soit sans autorisation ecrite du propriétaire. Propriete de c.FCI. Droits de reproduction FCI.

All rights strictly reserved. Reproduction or issue to third parties in any form whatever is not permitted without written authority from the proprietor. Property of FCI. Copyright FCI.



1 | 2

3

4

PRODUCT NUMBER

51939-377\_\_  
NOTE: 3

NOTES:

1. DIMENSIONS AND TOLERANCES ARE IN ACCORDANCE WITH ASME Y14.5M, 1994 UNLESS OTHERWISE SPECIFIED.

CONNECTOR NOTES:

- 2. HOUSING MATERIAL: UL 94 V-0 GLASS FILLED HIGH-TEMP THERMOPLASTIC  
POWER CONTACT MATERIAL: COPPER ALLOY  
SIGNAL PIN MATERIAL: COPPER ALLOY
  - 3. 51939-377; 51939-377LF PLATING SPEC. SEE PRINT:10064183
  - 4. MANUFACTURER'S NAME, P/N, AND DATE CODE TO APPEAR ON THIS SURFACE.
  - 5. PRODUCT SPECIFICATION GS-12-149.  
APPLICATION SPECIFICATION BUS-20-067.
  - 6. PACKAGED IN TRAYS.
- PCB NOTES:
- 7. ALL HOLE DIAMETERS ARE FINISHED HOLE SIZE.
  - 8. MOUNTING HOLES, WHERE APPLICABLE, ARE UNPLATED.
  - 9.  $\varnothing 1.151 \pm 0.025$  DRILLED HOLES PLATED WITH  
0.008 MIN SnPb OR Sn OVER 0.03  
TO 0.08 Cu PLATING TO ACHIEVE  
 $\varnothing 1.02 \pm .07$  HOLE.
  - 10. "DIM XXX" TO BE DETERMINED BY THE CUSTOMER.
  - 11. CONNECTOR KEEP-OUT ZONE.

A

A

B

B

mat'l code				SEE NOTE		tolerances unless otherwise specified		CUSTOMER		 www.fciconnect.com	
ltr	ecn no.	dr	date	linear	0.X ± 0.5		COPY		title 24S + 10P RIGHT ANGLE SOLDER HEADER		
A					0.XX ± 0.25		projection				
					0.XXX ± 0.1						
				angles	0° ± 2°				product family PwrBlade code		
				dr	Warren Du	08/19/08	scale		size	dwg no	213
				enrg	Jerome Chen	08/19/08	1:1		A	51939-377	sheet
				chr	Gary Hsieh	08/19/08					4 of 4
				appd	JOSEPH HSIA	08/19/08					
sheet index	revision sheet										

1 | 2

Pro/E

PDM: Rev: A

STAT: Released

Printed: Dec 20, 2010

cage code 2856

4