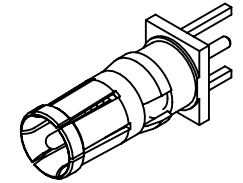
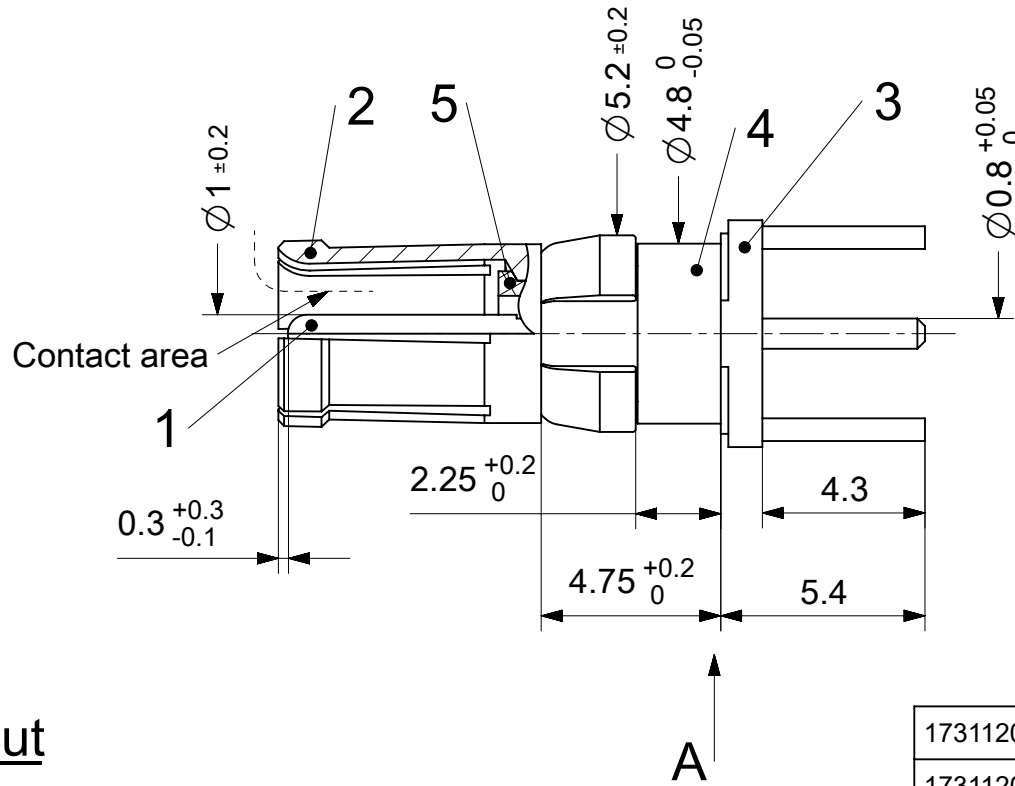
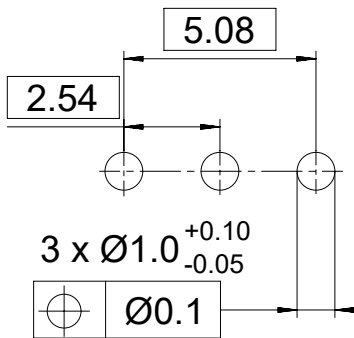


PCB-Layout



2:1

RoHS compliant
by exemption

1731120821	FME005S101	101
1731120189	FME005S102	102
1731121071	FME005S202	202
Material Number	FCT Part Number	Material + Finish See extra sheet

UNLESS OTHERWISE SPECIFIED DIMENSIONS FOR REFERENCE ONLY				REPLACEMENT FOR DOCUMENT NUMBER: FME005S				
THIS DRAWING CONTAINS INFORMATION THAT IS PROPRIETARY TO MOLEX ELECTRONIC TECHNOLOGIES, LLC AND SHOULD NOT BE USED WITHOUT WRITTEN PERMISSION								
FUNCTIONAL SYMBOLS	DIMENSION UNITS	SCALE	CURRENT REV DESC:					
$\frac{F}{A} = 0$	mm	5:1	EC NO: 710158					
$\frac{F}{E} = 0$	GENERAL TOLERANCES (UNLESS SPECIFIED)		DRWN: VLOKESHA 2021/04/15					
$\frac{F}{P} = 0$	ANGULAR TOL ± °		CHK'D: FVETTER 2022/06/13					
DIVISIONAL SYMBOLS	4 PLACES	±	APPR: FVETTER 2022/06/13					
	3 PLACES	±	INITIAL REVISION:					
	2 PLACES	±	DRWN: VLOKESHA 2021/04/15					
	1 PLACE	±	APPR: FVETTER 2022/06/13					
	0 PLACES	±	DOCUMENT NUMBER		DOC TYPE	DOC PART	REVISION	
DRAFT WHERE APPLICABLE MUST REMAIN WITHIN DIMENSIONS			FIRST ANGLE PROJECTION	DRAWING	SERIES	MATERIAL NUMBER	CUSTOMER	SHEET NUMBER
				A4-SIZE	173112	SEE TABLE	GENERAL MARKET	1 OF 1
			molex					
			FCT 75 OHM COAXIAL CONTACT FOR D-SUB					
			PRODUCT CUSTOMER DRAWING					
			1731120821		PSD	000	A	