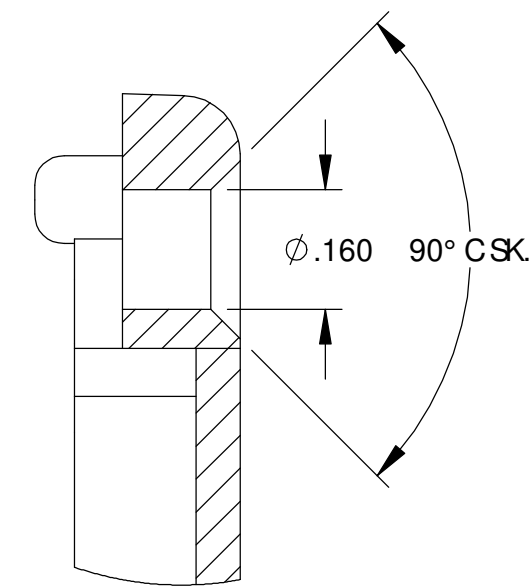


THE INFORMATION CONTAINED IN THIS DRAWING IS THE SOLE PROPERTY OF BUD INDUSTRIES INC. ANY REPRODUCTION IN PART OR WHOLE WITHOUT THE WRITTEN PERMISSION OF BUD INDUSTRIES INC. IS PROHIBITED.

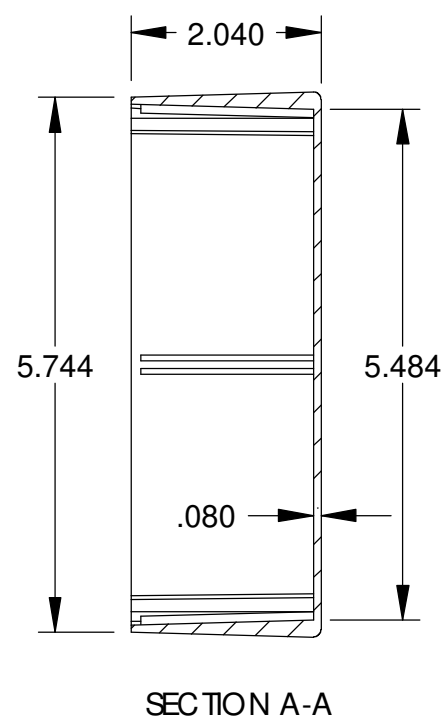
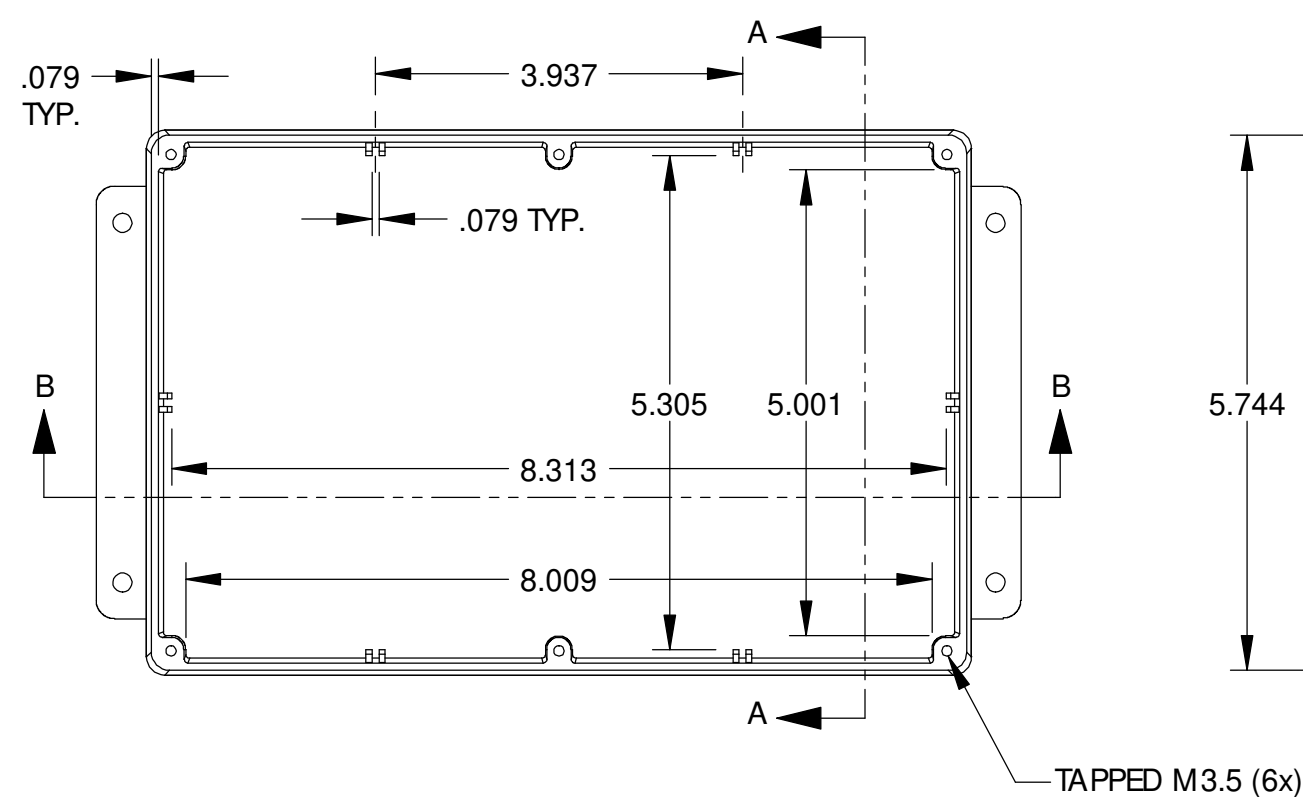
MATERIAL - ALUMINUM ALLOY # ADC-12
 FINISH - NATURAL (CONTACT BUD FACTORY FOR ALTERNATE FINISHES)
 GASKET - RATED IP65 NEOPRENE, SELF-ADHESIVE, 3mm THICK, COLOR BLACK
 SCREWS - STAINLESS STEEL M3.5 x 12mm LG., CSK. HEAD, SELF-THREADING

ALL HOLE DIAMETERS HAVE $\pm .005$ TOLERANCE
 ALL OTHER DIMENSIONS HAVE $\pm .015$ TOLERANCE
 ENCLOSURES ARE SHIPPED UNASSEMBLED WITH ALL ITEMS SHOWN.

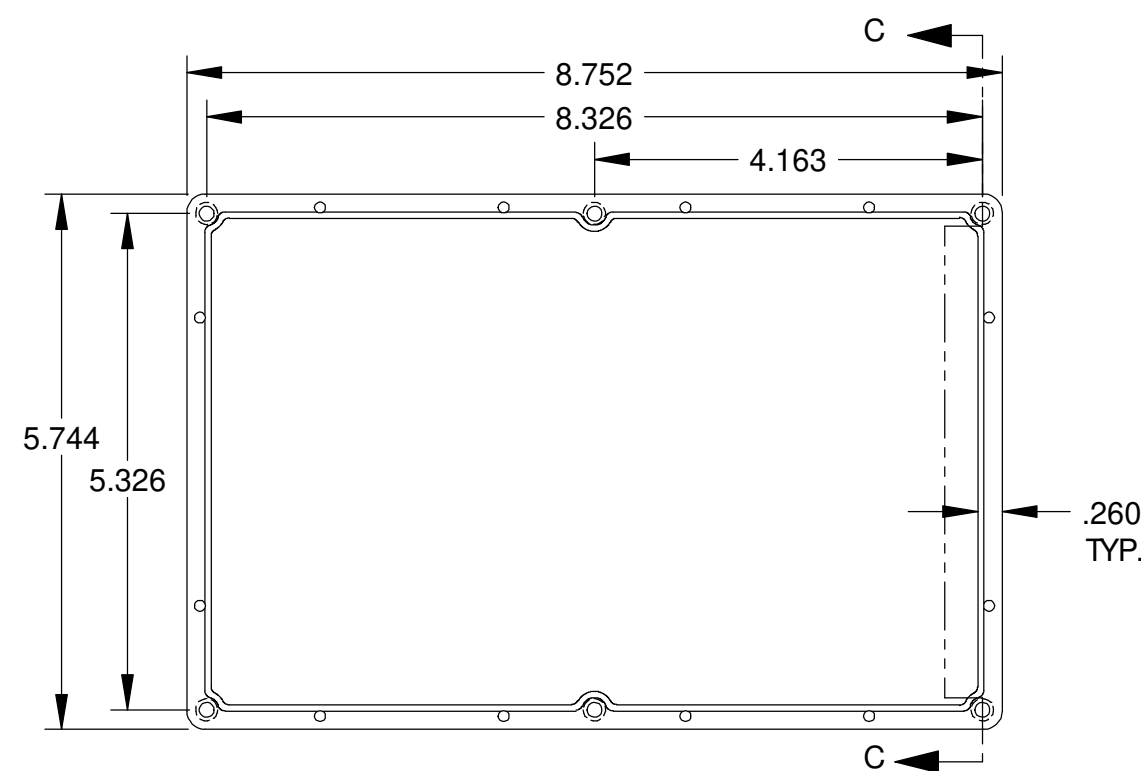
| | |
|----------|-----------|
| DWG. NO. | CN-6711 |
| ISSUE | REVISIONS |
| | |



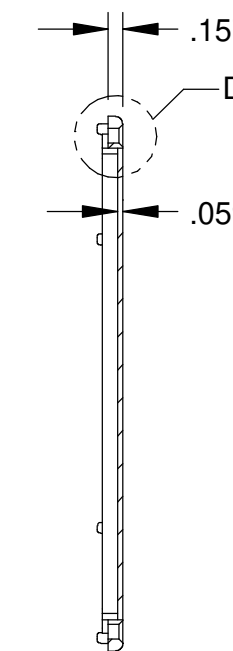
DETAIL D
SCALE 4:1



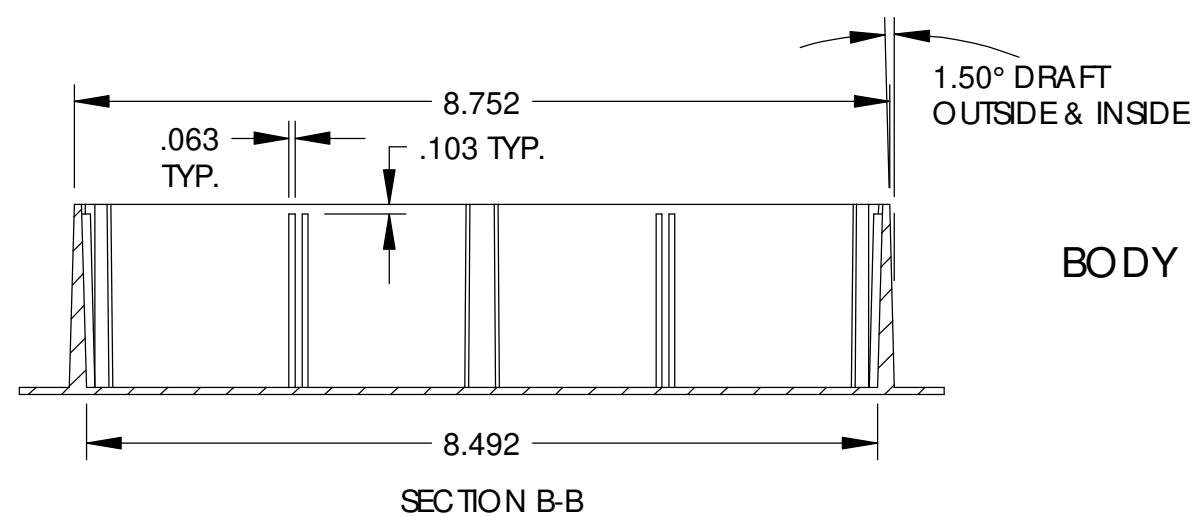
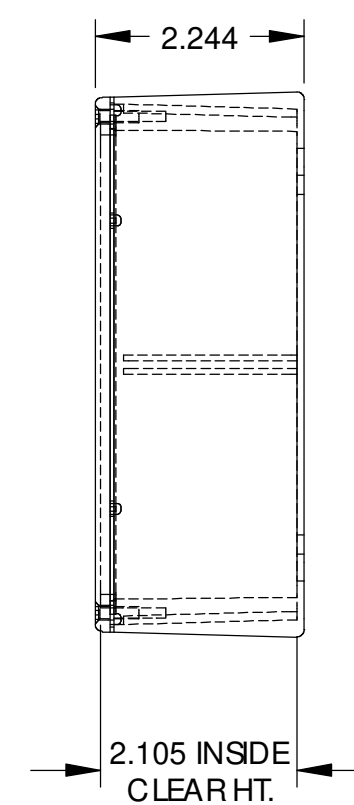
SECTION A-A



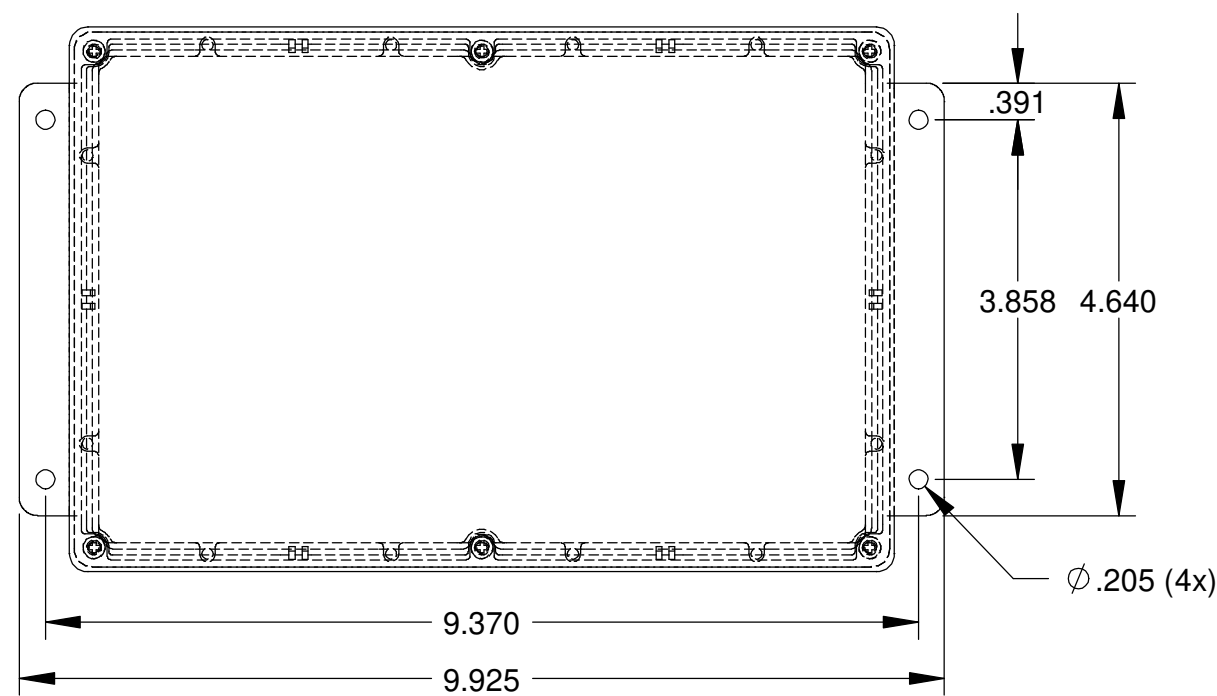
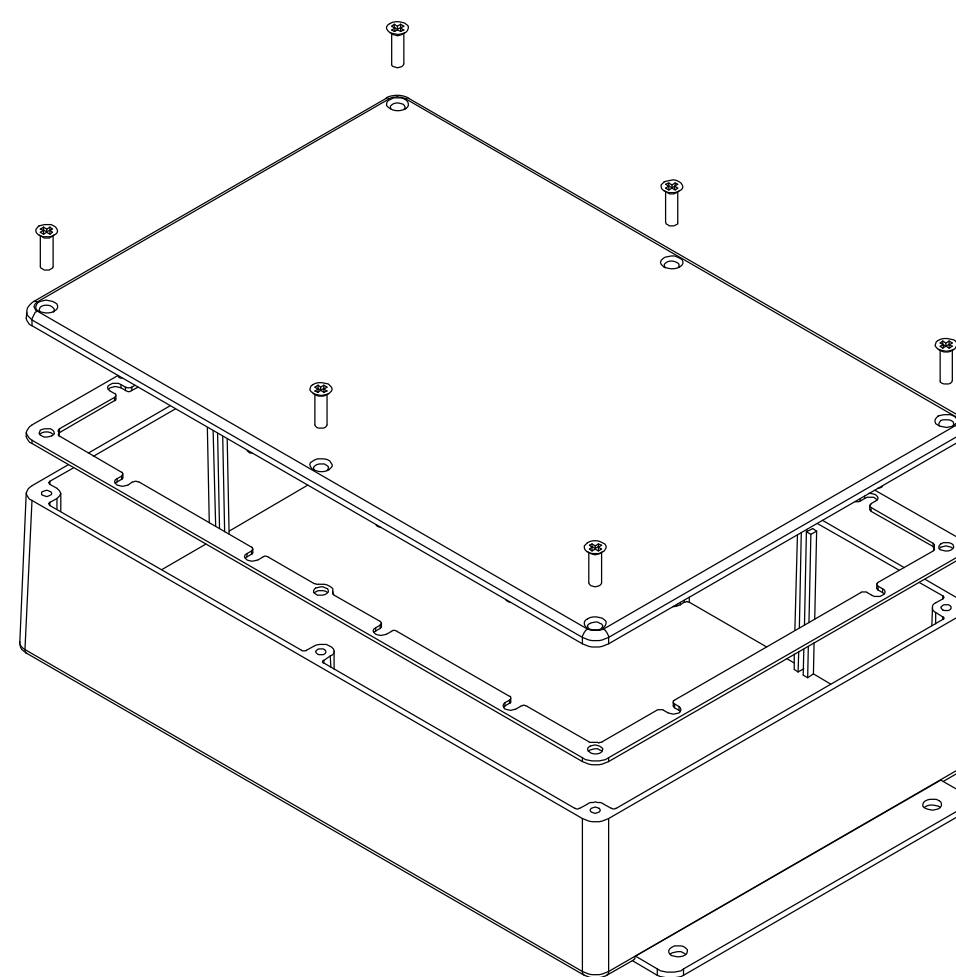
COVER



SECTION C-C



BODY



| PARTS LIST | | | |
|--|---------|---|--------------|
| +/- .005 BETWEEN HOLE CENTERS +/- .015 FROM SHEARED EDGE +/- .032 FROM A BENT SURFACE +/- .062 BETWEEN ASSEMBLED SURFACES UNLESS OTHERWISE SPECIFIED | | CAD GENERATED DRAWING. DO NOT MANUALLY UPDATE. | |
| MATERIAL | | APPROVALS | DATE |
| AS NOTED | | DRAWN | 4-3-06 |
| AS NOTED | | CHECKED | |
| FINISH | | APPROVED | |
| DO NOT SCALE DRAWING | | SCALE | CAD FILE |
| QTY. | USED ON | DWG. NO. | REV. |
| | | CN-6711 | |
| | | SCALE | SHEET 1 OF 1 |