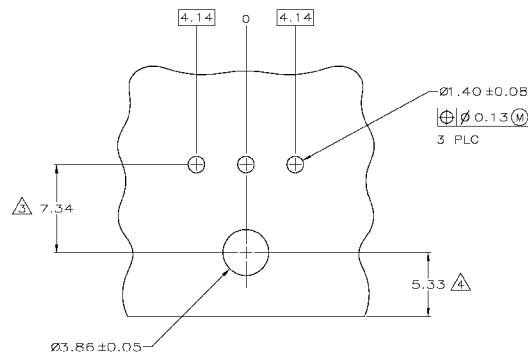
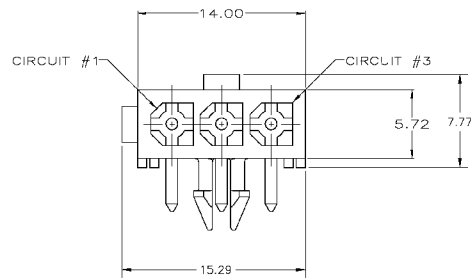
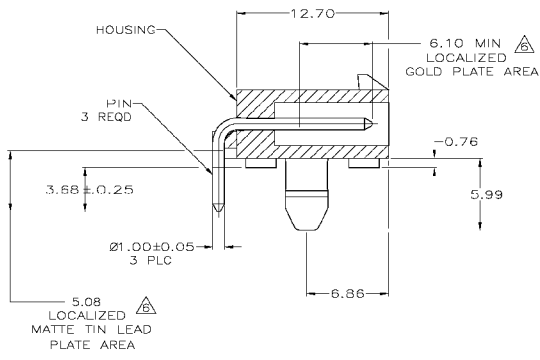


REV	DATE	DESCRIPTION	BY	CHKD	APP'D
CM 00					
		REV PER EC: 0018-0388-03	24JUL03	SC	CJ



RECOMMENDED MOUNTING HOLE PATTERN FOR 1.57 THICK P.C. BOARD

MM	IN	MM	IN
1.57	.062	14.00	.551
1.40	.055	12.70	.500
1.00	.039	7.34	.289
0.76	.030	6.86	.270
0.25	.010	5.99	.236
0.13	.005	5.72	.225
0.08	.003	5.33	.210
0.05	.002	5.08	.200
0.0038	0.000150	4.14	.163
0.00127	0.000050	3.86	.152
0.00076	0.000030	3.68	.145

CONVERSION TABLE

- PINS TO COMPLY WITH AMP SOLDERABILITY SPEC 109-11-3.
  - MATES WITH PLUG F/N 172166-1.
- ⚠ COORDINATE DIMENSION APPLIES FROM CENTER OF ACTUAL FEATURE.
  - ⚠ RECOMMENDED FOR EDGE MOUNTING.
  - ⚠ 0.00381 MIN MATTE TIN LEAD OVER 0.00127 MIN NICKEL ENTIRE LENGTH OF PIN.
  - ⚠ 0.00076 MIN GOLD PLATE IN THE LOCALIZED PLATE AREA, 0.00381 MIN MATTE TIN LEAD IN THE LOCALIZED PLATE AREA, BOTH OVER 0.00127 MIN NICKEL.
  - ⚠ 0.00381 MIN MATTE TIN OVER 0.00127 MIN NICKEL ENTIRE LENGTH OF PIN.

PIN	FINISH	MATERIAL	COLOR	PART NO.
	⚠	NYLON, UL94V-0	WHITE	1-770967-0
	⚠	NYLON, UL94V-0	WHITE	170967-2
	⚠	NYLON, UL94V-0	WHITE	770967-1

THIS DRAWING IS A CONTROLLED DOCUMENT. DATE: 24JUL2003

DESIGNER: J. GARDNER DATE: 24JUL2003

DRAWN: J. JONES DATE: 24JUL2003

CHKD: J. JONES DATE: 24JUL2003

APP'D: J. JONES DATE: 24JUL2003

SCALE: 5:1

SHEET 1 OF 1

REV 1

CUSTOMER DRAWING

DATE: 24JUL2003

BY: SC

CHKD: CJ

APP'D: CJ

DESCRIPTION: HEADER ASSEMBLY, RIGHT ANGLE, WITH SHORT PIG, 3 CIRCUIT, MINI UNIVERSAL MATE-N-LOK™

APPLICATOR SPEC: A1

TRACING NO: 00779

FORMING NO: 770967

