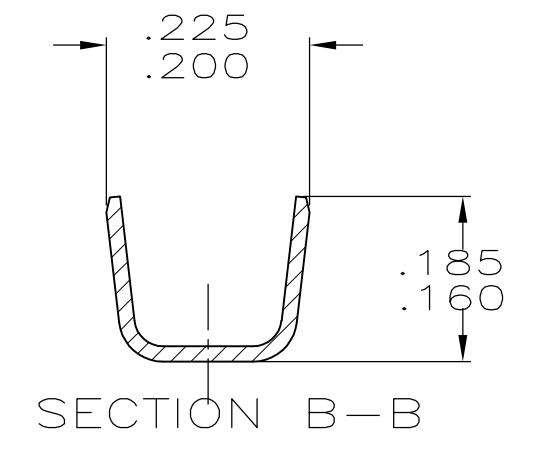
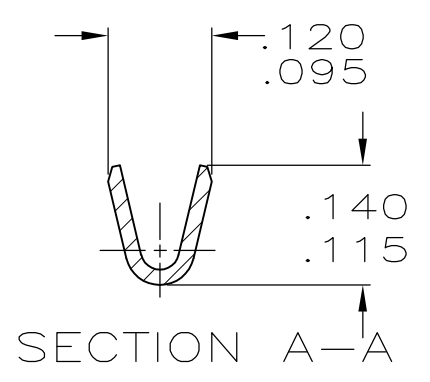
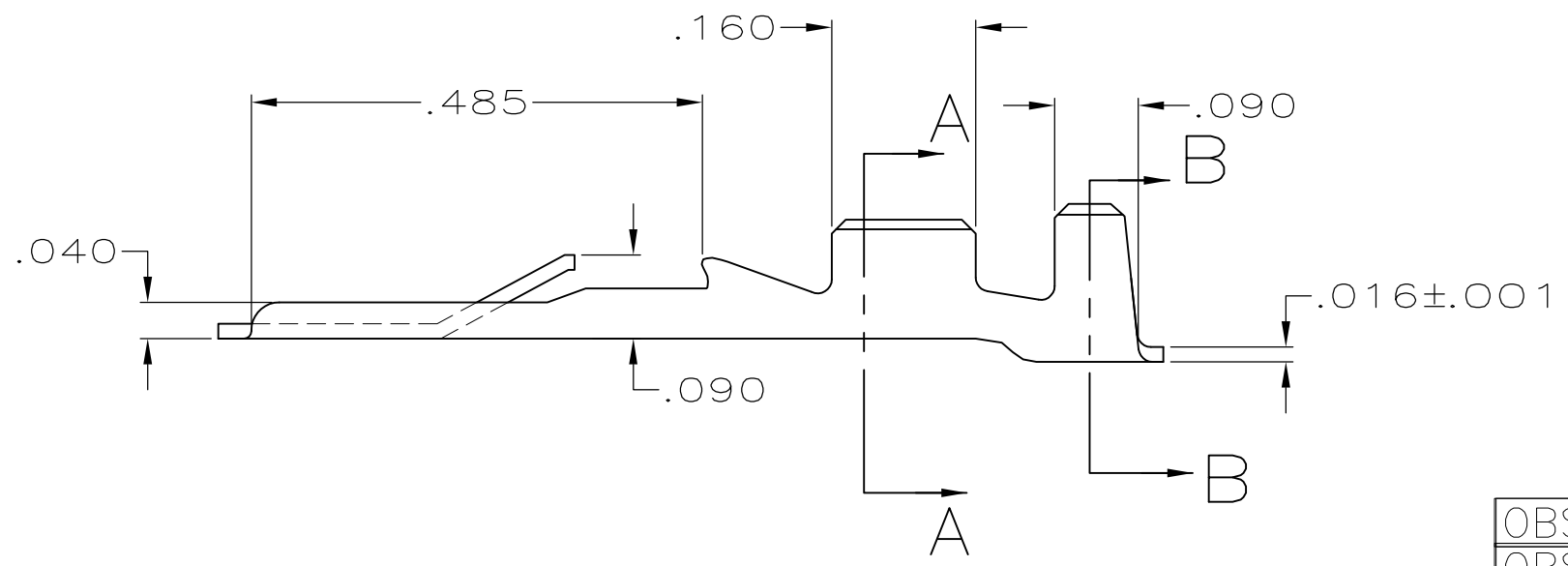
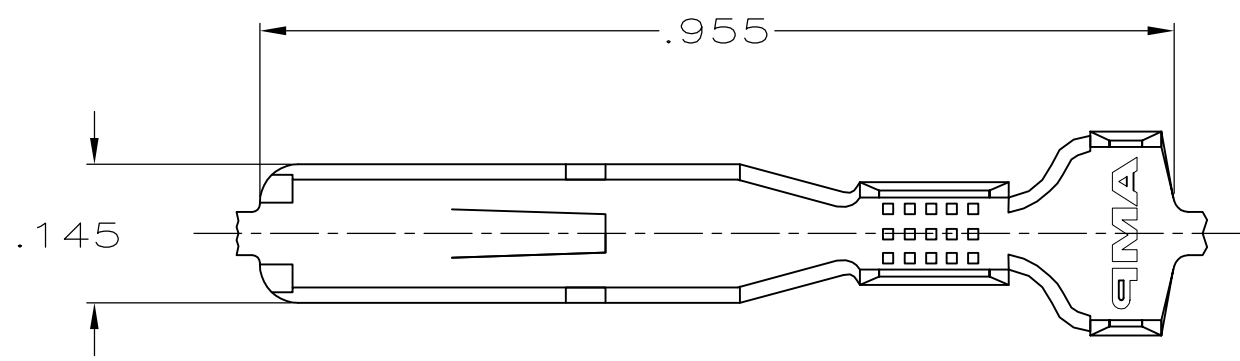


THIS DRAWING IS UNPUBLISHED. RELEASED FOR PUBLICATION
 © COPYRIGHT - By - ALL RIGHTS RESERVED.

LOC	DIST	REVISIONS					
AF	50	P	LTR	DESCRIPTION	DATE	DWN	APVD
			N	REVISED PER ECR-13-005733	27AUG2013	KH	PD

1 CONTINUOUS STRIP ON REELS.
 2 FOR FOREIGN PRODUCTION ONLY.



OBSOLETE
OBSOLETE

.090-.130 OR (TWO) .110 MAX	#20-#16 AWG	TIN .000080 MIN	2 60434-3
		PRE-TIN	2 60434-2
INSULATION RANGE	WIRE SIZE	FINISH	60434-1

F	.180	.220	F	.080	.064	(2) #20
					.069	16
					.060	18
					.055	20
TYPE	WIDTH	STRIP LENGTH ±.015	TYPE	WIDTH	± .002 HEIGHT	WIRE
INSUL BARREL CRIMP			WIRE BARREL CRIMP			

THIS DRAWING IS A CONTROLLED DOCUMENT.

DIMENSIONS: INCHES

TOLERANCES UNLESS OTHERWISE SPECIFIED:

0 PLC	± -
1 PLC	± -
2 PLC	± -
3 PLC	± .015
4 PLC	± -
ANGLES	± -

MATERIAL: BRASS

FINISH: SEE TABLE

DWN: JR RUTH 1/24/95

CHK: MS FEHER 1/24/95

APVD: J GILLESPIE 1/24/95

R REINER 1/24/95

PRODUCT SPEC: 114-2023

APPLICATION SPEC: -

WEIGHT: -

STE TE Connectivity

NAME: CHANNEL TAB, FASTIN-FASTON, .187 SERIES

SIZE: A3 CAGE CODE: 00779 DRAWING NO: C-60434 RESTRICTED TO: -

CUSTOMER DRAWING SCALE: 5:1 SHEET: 1 OF 1 REV: N