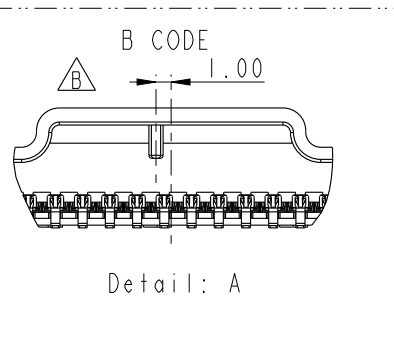
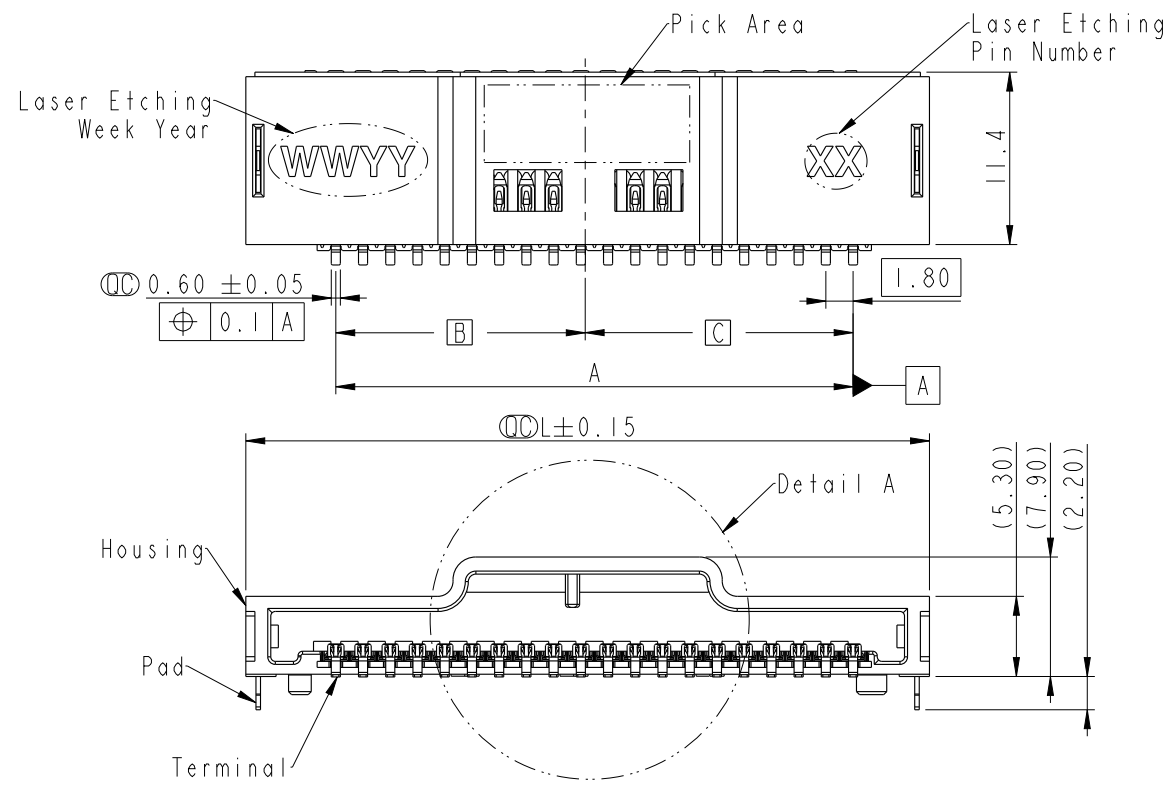


THIS DOCUMENT IS SUBJECT TO CHANGE WITHOUT NOTICE. IT IS CONFIDENTIAL AND A PROPERTY OF Amphenol LTW. DISCLOSURE TO THIRD PARTY HAS TO BE AUTHORIZED BY Amphenol LTW.

REV.	ECN NO.	DATE	SIGN	DESCRIPTION
A		2021/10/09	Xiaofeng	New Initial
B	C220320	2022/03/02	Xiaofeng	\triangle B XI

ZCONNECT SIZE				
PIN	L(mm)	A(mm)	B(mm)	C(mm)
11	29.0	18.0	9.45	8.55
12	30.8	19.8	9.45	10.35
13	32.6	21.6	11.25	10.35
14	34.4	23.4	11.25	12.15
15	36.2	25.2	13.05	12.15
16	38.0	27.0	13.05	13.95
17	39.8	28.8	14.85	13.95
18	41.6	30.6	14.85	15.75
19	43.4	32.4	16.65	15.75
20	45.2	34.2	16.65	17.55



ZB-XX BFRS-BA0001
 XX-Number of Contacts

Note:
 * \varnothing Important Dimensions To Check.
 * Housing: Thermoplastic Black.
 * Terminal: Copper Alloy Gold Plated.
 * Pad: Metal.

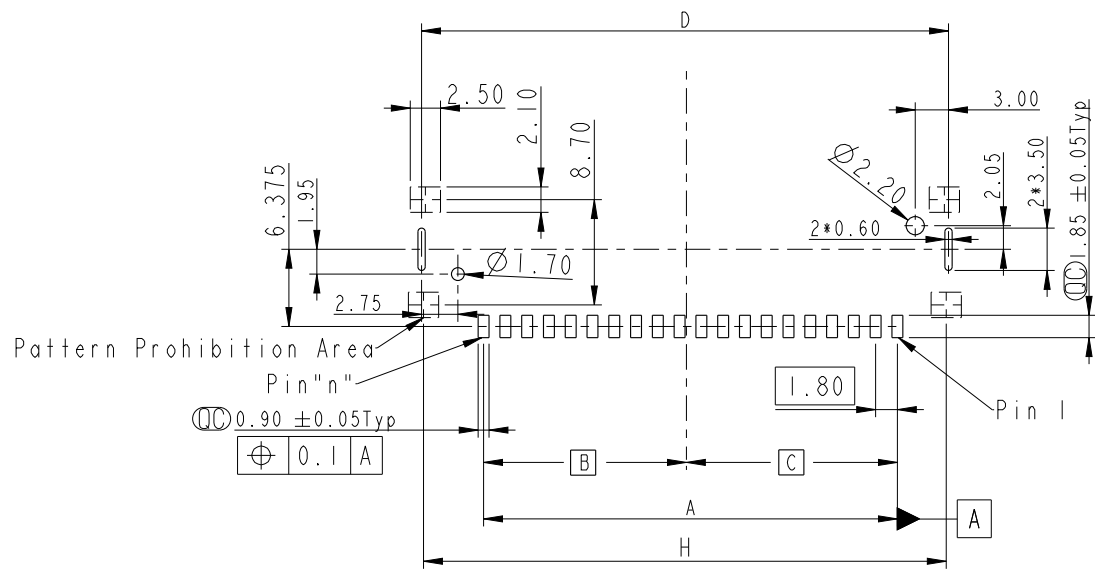
UNIT: mm	\varnothing	∇
TOLERANCE	.X ± 0.25	
	.XX ± 0.1	
	.XXX ± 0.05	
ANGLES	$\pm 1^\circ$	

TITLE Z CONN., N SHLD, B, P 1.8, F SMD			
SCALE 1:1	SIZE A4	SHEET 1 OF 4	
REV. B	WC-REV. .0	\varnothing : Inspection item	

Amphenol LTW
 安費諾亮泰企業股份有限公司

ITEM NO.	DRAWN BY Xiaofeng	DATE 2021/10/09
DWG NO. ZB-XXBFRS-BA0001	CHECKED BY Feng-Li	DATE 2021/10/09
CUSTOMER ALTW	APPROVED BY Jerry	DATE 2021/10/09

THIS DOCUMENT IS SUBJECT TO CHANGE WITHOUT NOTICE. IT IS CONFIDENTIAL AND A PROPERTY OF AMPHENOL LTW. DISCLOSURE TO THIRD PARTY HAS TO BE AUTHORIZED BY AMPHENOL LTW.



RECOMMENDED PCB LAYOUT

PCB LAYOUT SIZE					
PIN	A(mm)	B(mm)	C(mm)	D(mm)	H(mm)
11	18.0	9.45	8.55	27.35	27.0
12	19.8	9.45	10.35	29.15	28.8
13	21.6	11.25	10.35	30.95	30.6
14	23.4	11.25	12.15	32.75	32.4
15	25.2	13.05	12.15	34.55	34.2
16	27.0	13.05	13.95	36.35	36.0
17	28.8	14.85	13.95	38.15	37.8
18	30.6	14.85	15.75	39.95	39.6
19	32.4	16.65	15.75	41.75	41.4
20	34.2	16.65	17.55	43.55	43.2

UNIT: mm

TOLERANCE
 .X ±0.25
 .XX ±0.1
 .XXX ±0.05
 ANGLES ±1°

TITLE Z CONN., N SHLD, B, P 1.8, F SMD

SCALE 1:1 SIZE A4 SHEET 2 OF 4

REV. B WC-REV. .0

Ⓞ: Inspection item

Amphenol LTW
 安費諾亮泰企業股份有限公司

ITEM NO

DWG NO ZB-XXBFRS-BA0001

CUSTOMER ALTW

DRAWN BY Xiaofeng

CHECKED BY Feng-Li

APPROVED BY Jerry

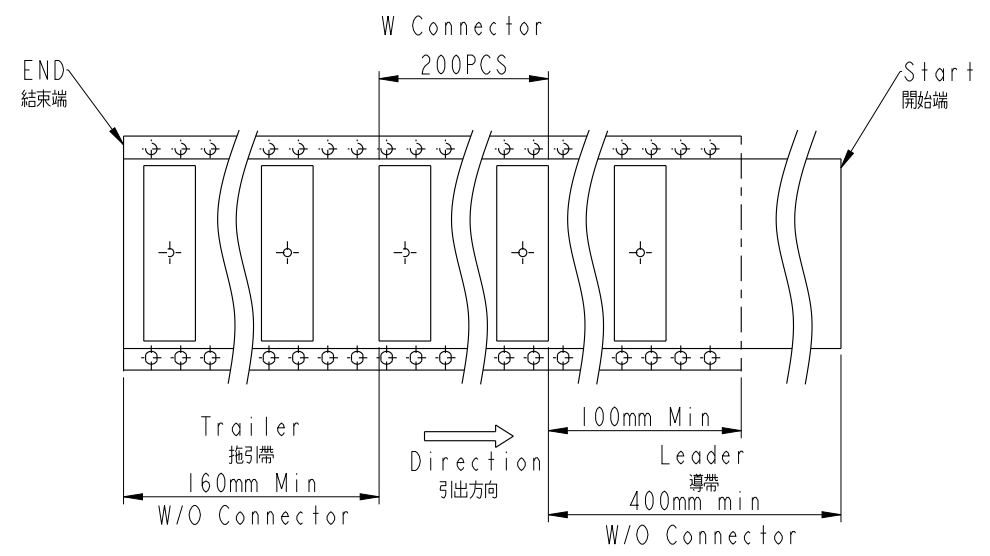
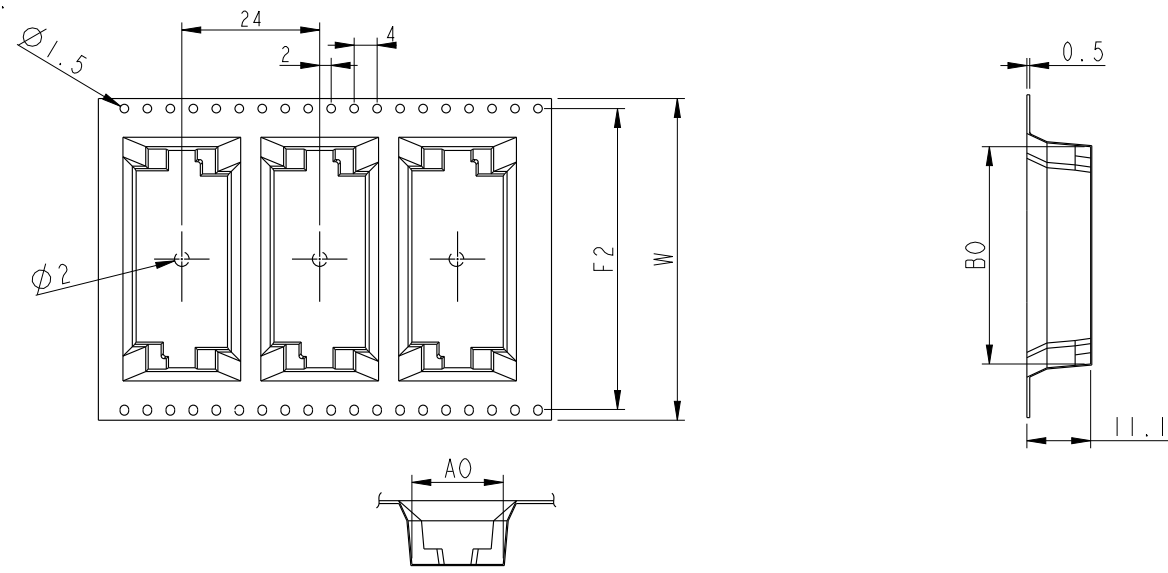
DATE 2021/10/09

DATE 2021/10/09

DATE 2021/10/09

THIS DOCUMENT IS SUBJECT TO CHANGE WITHOUT NOTICE. IT IS CONFIDENTIAL AND A PROPERTY OF Amphenol LTW. DISCLOSURE TO THIRD PARTY HAS TO BE AUTHORIZED BY Amphenol LTW.

Packing:



PIN	B0(mm)	W(mm)	F2(mm)	A0(mm)
11	29.3	44	40.4	15.9
12	31.1	56	52.4	
13	32.9			
14	34.7			
15	36.5			
16	38.3			
17	40.1			72
18	41.9			
19	43.7			
20	45.5			

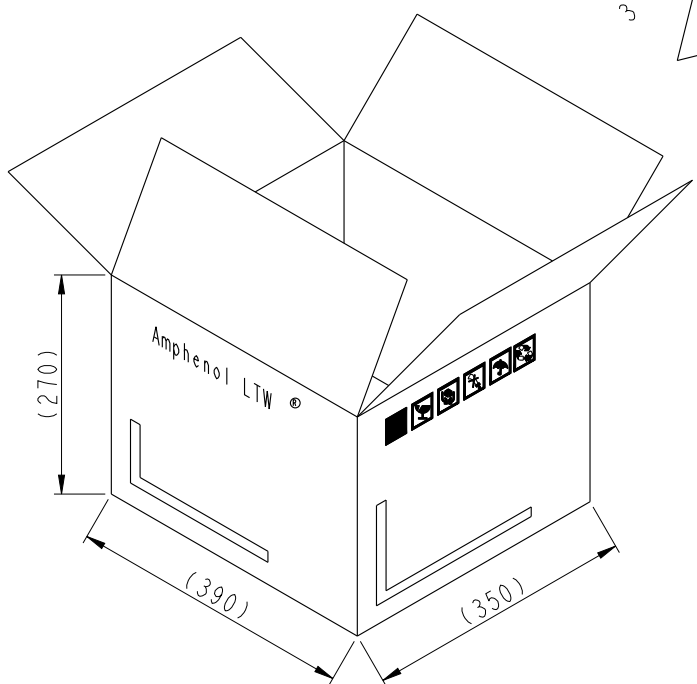
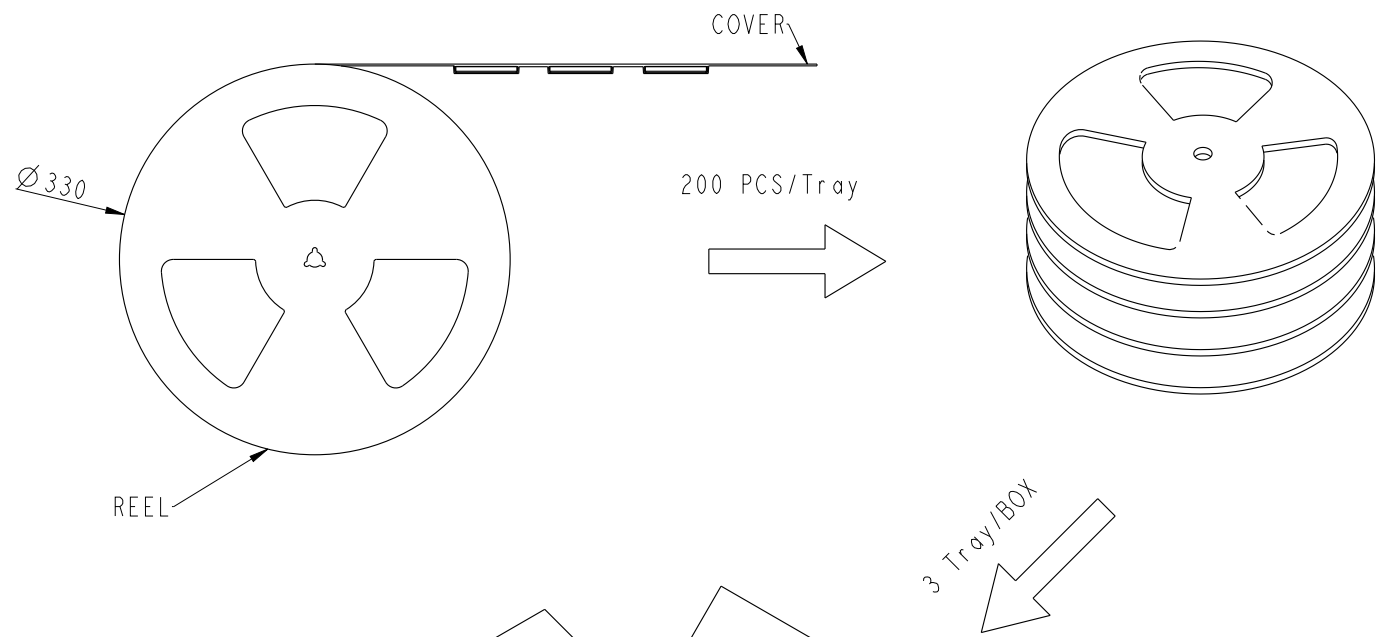
UNIT: mm		
TOLERANCE	.X ±0.25	
	.XX ±0.1	
	.XXX ±0.05	
ANGLES	±1°	

TITLE Z CONN., N SHLD, B, P 1.8, F SMD			
SCALE 1:1	SIZE A4	SHEET 3 OF 4	
REV. B	WC-REV. .0	QC: Inspection item	

Amphenol LTW
安費諾亮泰企業股份有限公司

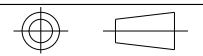
ITEM NO	DRAWN BY Xiaofeng	DATE 2021/10/09
DWG NO ZB-XXBFRS-BA0001	CHECKED BY Feng-Li	DATE 2021/10/09
CUSTOMER ALTW	APPROVED BY Jerry	DATE 2021/10/09

THIS DOCUMENT IS SUBJECT TO CHANGE WITHOUT NOTICE. IT IS CONFIDENTIAL AND A PROPERTY OF Amphenol LTW. DISCLOSURE TO THIRD PARTY HAS TO BE AUTHORIZED BY Amphenol LTW.



Note:
 * \varnothing Important Dimensions.
 * MATERIAL: BLACK CONDUCTIVE POLYSTYRENE ALLOY(UP-6100).

UNIT:mm



TITLE Z CONN., N SHLD, B, P 1.8, F SMD

Amphenol LTW

ITEM NO

DRAWN BY Xiaofeng

DATE 2021/10/09

DWG NO ZB-XXBFRS-BA0001

CHECKED BY Feng-Li

DATE 2021/10/09

CUSTOMER ALTW

APPROVED BY Jerry

DATE 2021/10/09

TOLERANCE	
.X	±0.25
.XX	±0.1
.XXX	±0.05
ANGLES	±1°

SCALE	1:1	SIZE	A4	SHEET	4	OF	4
REV.	B	WC-REV.	.0	\varnothing : Inspection item			

安費諾亮泰企業股份有限公司