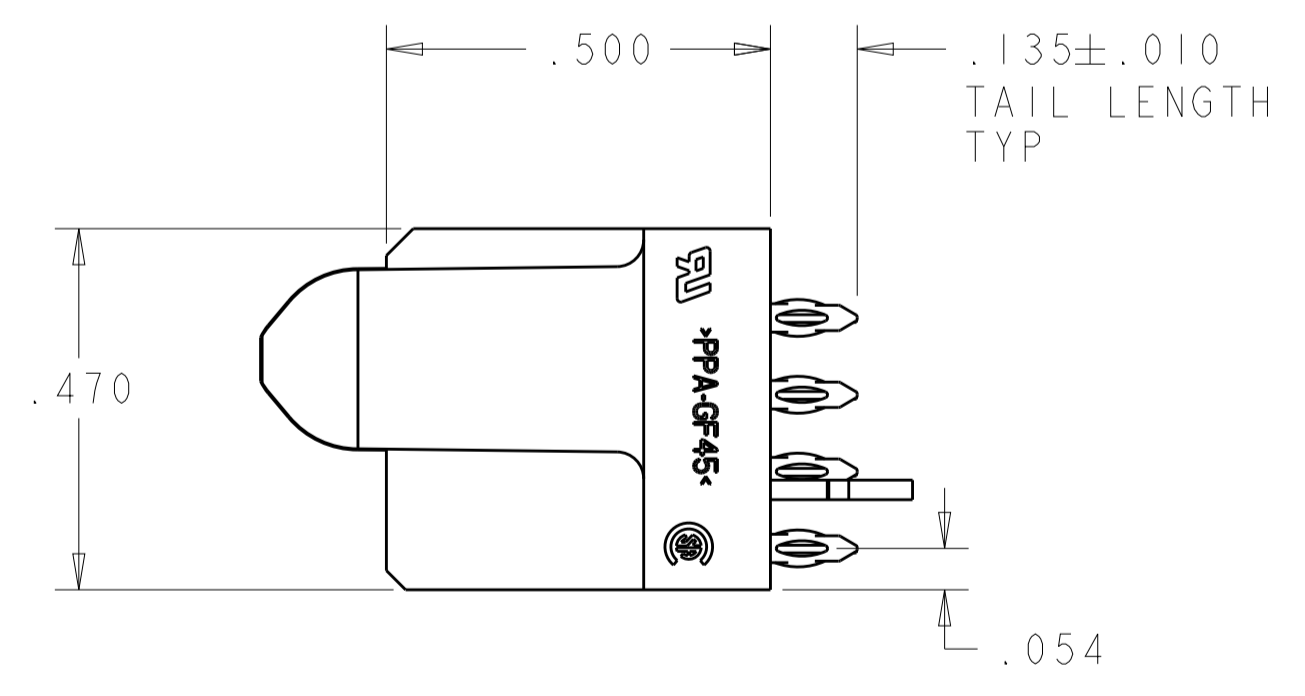
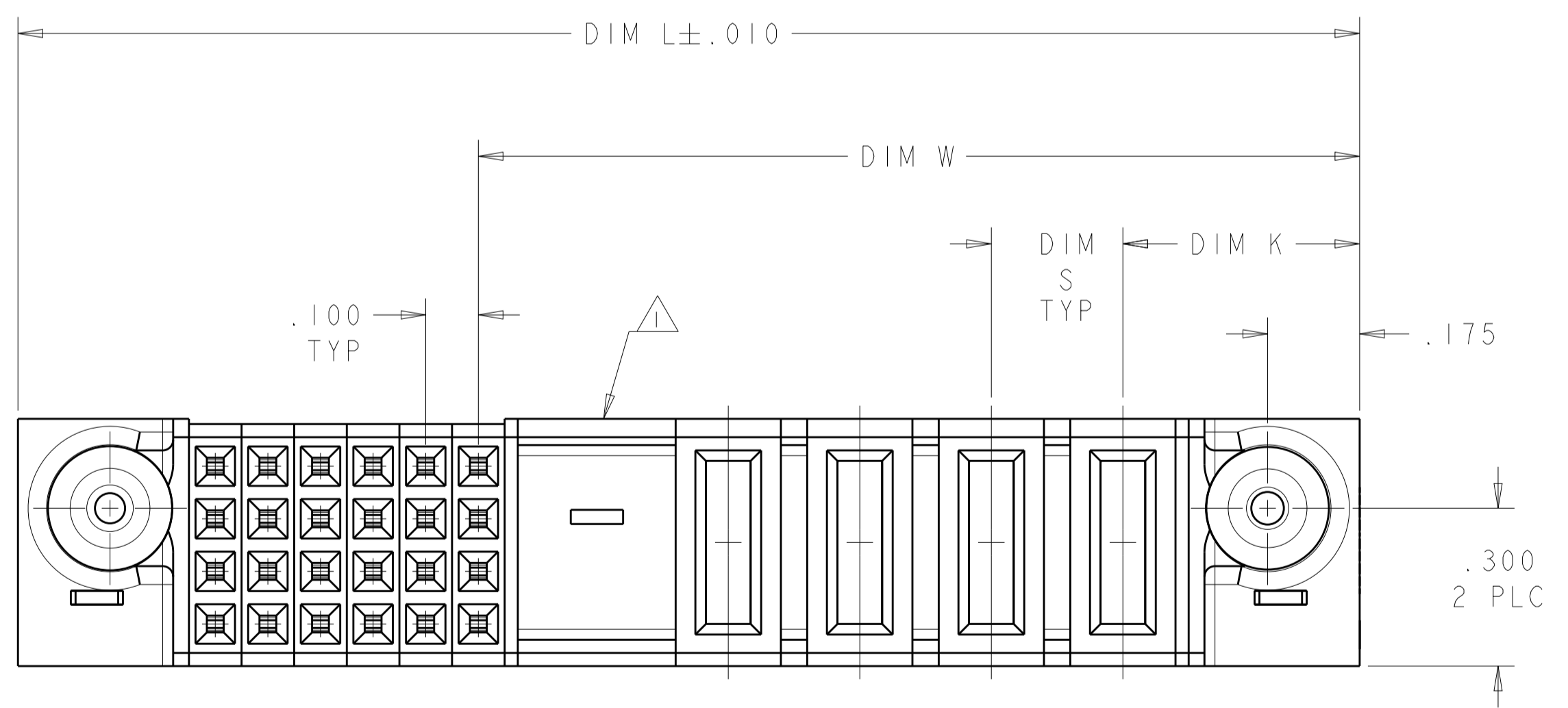
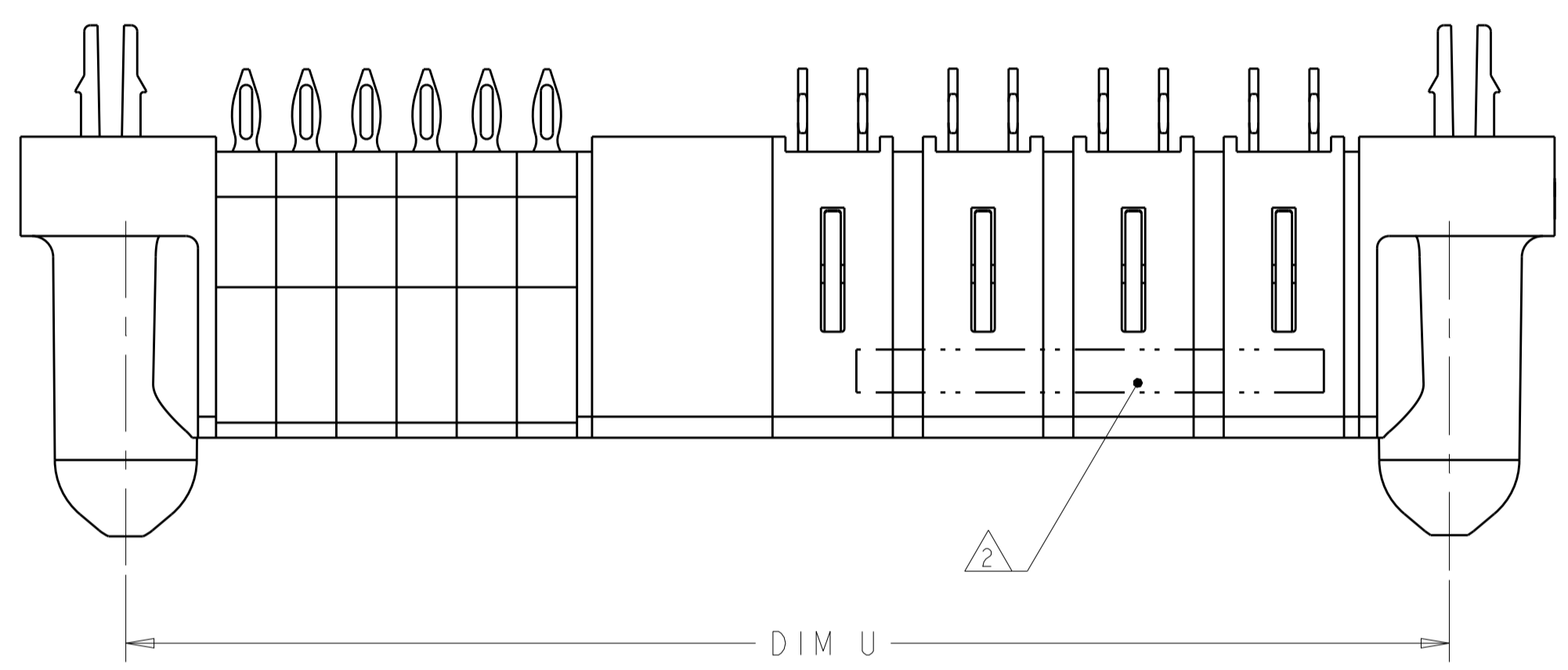
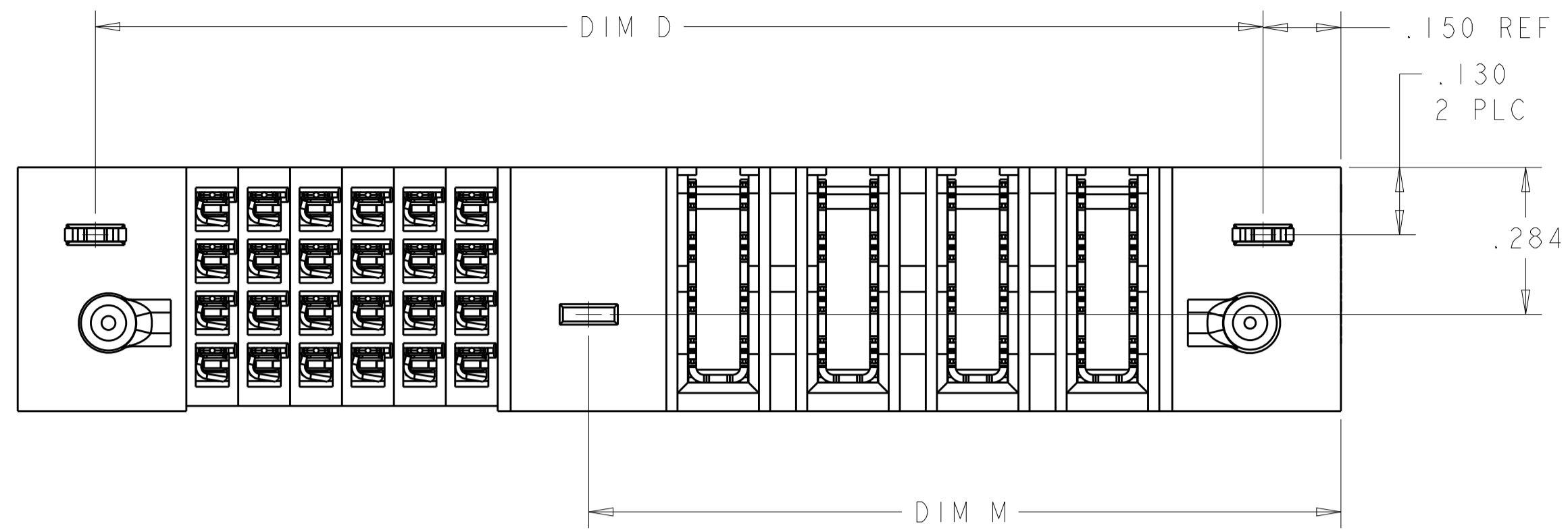


LOC	DIST	REVISIONS					
		P	LTN	DESCRIPTION	DATE	DWN	APVD
ES	00	F2		REV PER ECR-11-021537	24OCT2011	CZ	SZ
		F3		ADDED THE DASH NUMBER -2	19JAN2012	ML	SZ
		F4		ADVISED	19MAR2013	ML	SZ




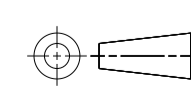
- 1 OPTIONAL CENTER MODULE, WITH Ø.150 THRU HOLE OR HOLD DOWN FEATURE
- 2 "AMP", PART NUMBER, AND DATE CODE TO BE MARKED IN AREA SHOWN, FAR SIDE
- 3 MATERIAL: HOUSING - GLASS FILLED HIGH TEMP THERMO PLASTIC, UL94 V-0
 SIGNAL CONTACT - HIGH CONDUCTIVITY COPPER ALLOY
 POWER CONTACT - HIGH CONDUCTIVITY COPPER ALLOY
- 4 CONTACT PLATING:
 NOBLE METAL PLATED ON THE CONTACT FUNCTIONAL AREA
 OF POWER AND SIGNAL CONTACTS.
- 5 MECHANICAL CONNECTOR KEEP OUT ZONE
- 6 DATUM AND BASIC DIMENSIONS ESTABLISHED BY CUSTOMER
- 7 PCB - ALL HOLE DIAMETERS ARE FINISHED HOLE SIZES
- 8 PCB - .0453 +/- .0010 DRILLED HOLES PLATED WITH .0003 MIN Sn
 OVER .001 TO .003 PLATING TO ACHIEVE A .040 DIA HOLE
- 9 VARIABLE DIMENSIONS SHOWN ON VIEW (SHEETS 4 AND 5).
- 10 NOT RELEASE FOR PRODUCTION.

THIS DRAWING IS A CONTROLLED DOCUMENT.		DWN R. GRZYBOWSKI 24JAN05	TE Connectivity NAME VERTICAL RECEPTACLE ASSEMBLY WITH GUIDES, PRESS FIT MULTI-BEAM XL	
DIMENSIONS: INCHES		CHK M. PERCHERKE 24JAN05		
TOLERANCES UNLESS OTHERWISE SPECIFIED: 0 PLC ±. 1 PLC ±.01 2 PLC ±.01 3 PLC ±.005 4 PLC ±.0020 ANGLES ±.7°		PRODUCT SPEC 108-1973	APPLICATION SPEC 114-13038	RESTRICTED TO
MATERIAL 3		FINISH 4	WEIGHT	SCALE 4:1 SHEET 1 OF 8 REV F5
CUSTOMER DRAWING		A100779C=6450552		

THIS DRAWING IS UNPUBLISHED. RELEASED FOR PUBLICATION 20
 © COPYRIGHT 20 BY - ALL RIGHTS RESERVED.

LOC	DIST	REVISIONS					
ES	00	P	LTN	DESCRIPTION	DATE	DWN	APVD
		-		SEE SHEET 1			

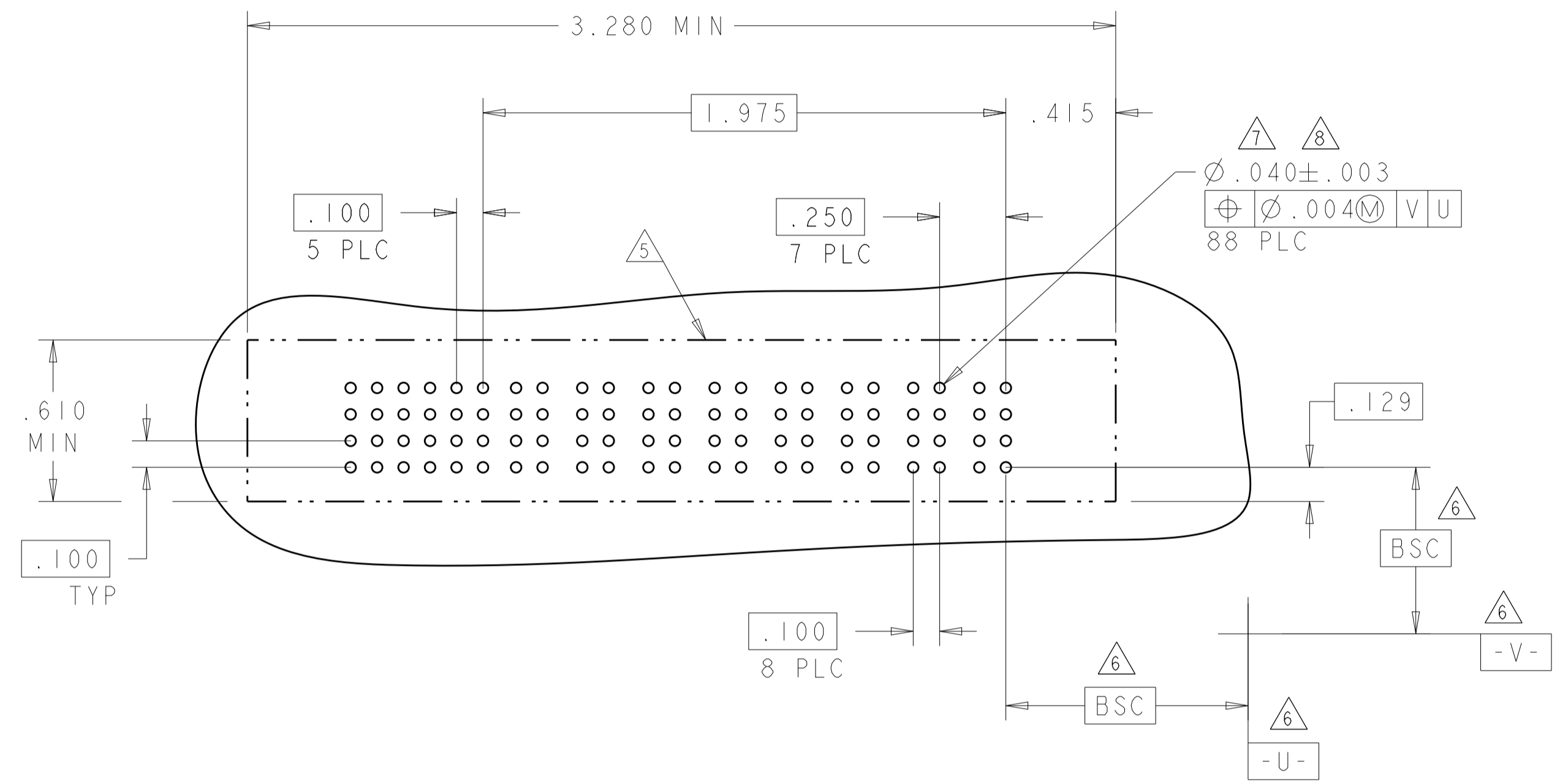
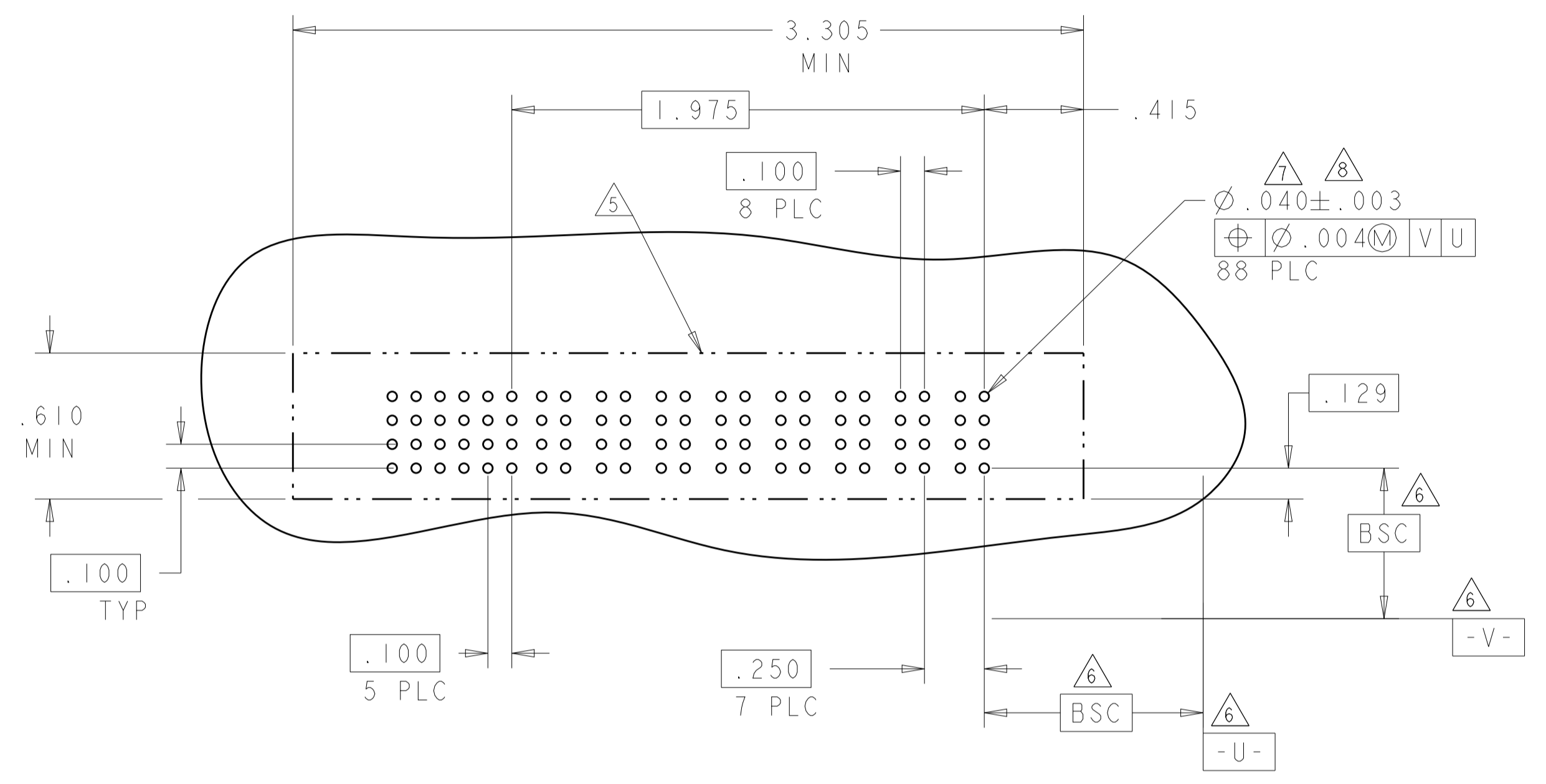
F1	NO	-	-	1.900	.250	1.375	2.250	.450	4P + 24S	2-6450552-0
F	NO	-	-	2.950	.200	2.425	3.300	.450	10HDP + 24S	1-6450552-9
F2	YES	-	1.900	1.850	.250	1.825	2.200	.450	7HDP + 4S	1-6450552-8
	NO	-	-	4.600	.250	3.875	4.950	.450	14P + 32S	1-6450552-2
	NO	-	-	5.100	-	2.375	5.450	.450	8P + 112S	1-6450552-0
	NO	-	-	3.800	-	3.175	4.150	.450	12P + 28S	6450552-9
	NO	-	-	2.275	-	1.750	2.625	.450	5P + 24S	6450552-8
	NO	-	-	2.825	-	2.300	3.175	.475	3ACP + 4P + 24S	6450552-7
	NO	-	-	2.900	.250	2.375	3.250	.450	8P + 24S	6450552-6
	NO	-	-	3.225	-	2.675	3.575	.525	3ACP + 6P + 24S	6450552-5
	NO	-	-	2.900	.250	2.375	3.250	.450	8P + 24S	6450552-4
	NO	-	3.150	3.100	.250	.875	3.450	.450	2P + 92S	6450552-2
	NO	-	-	2.925	.250	2.375	3.275	.450	8P + 24S	6450552-1
	RETENTION CLIP	M	D	U	S	W	L	K	DESCRIPTION	PART NUMBER

THIS DRAWING IS A CONTROLLED DOCUMENT.		DWN R. GRZYBOWSKI CHK M. PERCHERKE	24JAN05 24JAN05	 TE Connectivity NAME VERTICAL RECEPTACLE ASSEMBLY WITH GUIDES, PRESS FIT MULTI-BEAM XL
DIMENSIONS: INCHES	TOLERANCES UNLESS OTHERWISE SPECIFIED:	APVD M. PERCHERKE	PRODUCT SPEC 108-1973	
0 PLC ±. 1 PLC ±.01 2 PLC ±.005 3 PLC ±.0020 4 PLC ±.0020 ANGLES ±.0020 FINISH		APPLICATION SPEC 114-13038	RESTRICTED TO	
MATERIAL	FINISH	WEIGHT	SIZE A100779	CAGE CODE DRAWING NO 6450552
CUSTOMER DRAWING		SCALE 4:1	SHEET 2	OF 8 REV F5

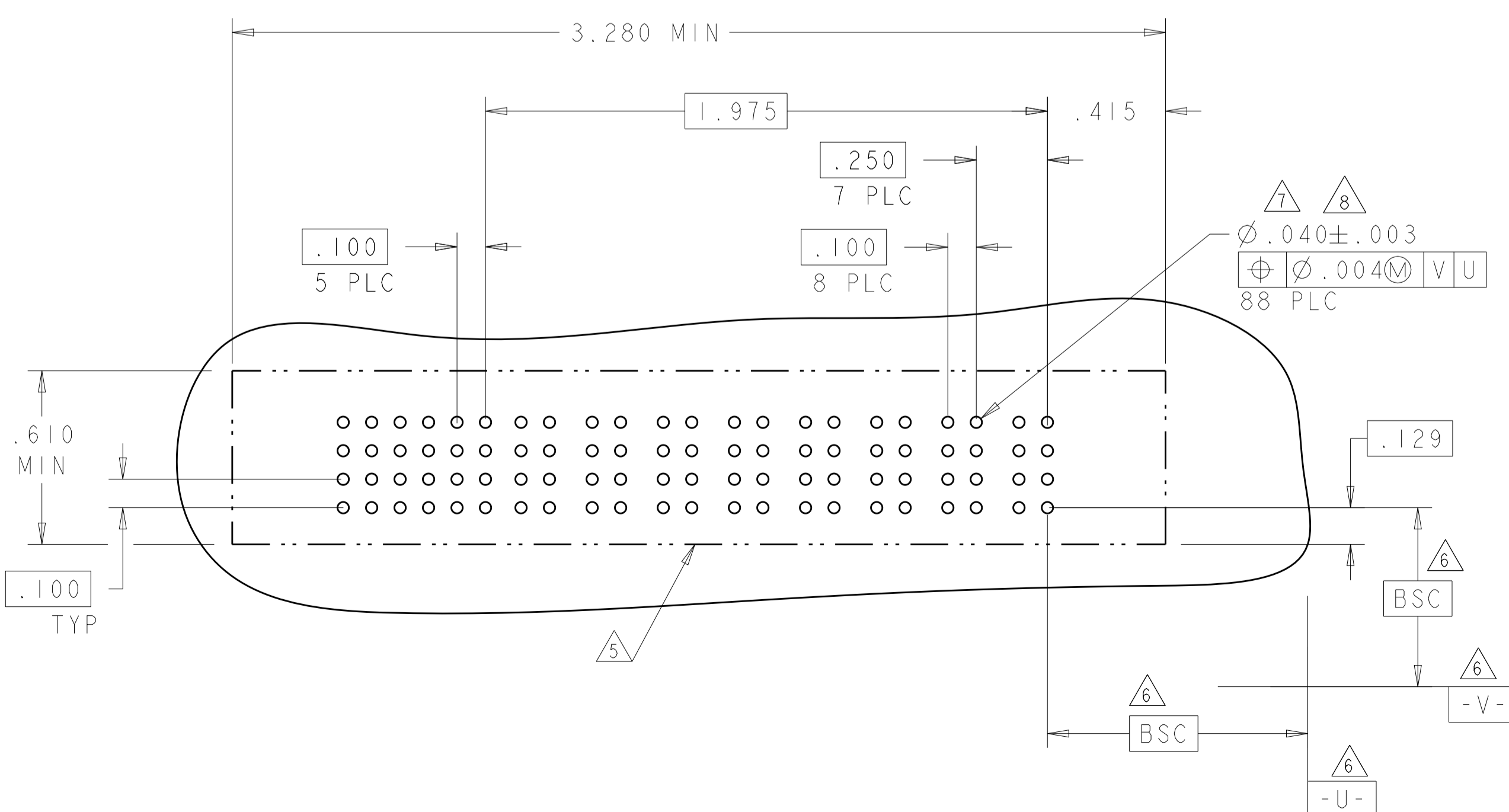
LOC		DIST		REVISIONS			
ES	00	P	LTN	DESCRIPTION	DATE	OWN	APVD
-	-	-	-	SEE SHEET 1	-	-	-

ASSY PART NUMBER	ROWS	SIGNAL								POWER							
		6	5	4	3	2	1	P8	P7	P6	P5	P4	P3	P2	P1		
6450552-1	D C B A	AP	AP	AP	AP	AP	AP	GP	GP	GP	GP	GS	GS	GS	GS		
		AP	AP	AP	AP	AP	AP	GP	GP	GP	GP	GS	GS	GS	GS		
		AP	AP	AP	AP	AP	AP	GP	GP	GP	GP	GS	GS	GS	GS		
		AP	AP	AP	AP	AP	AP	GP	GP	GP	GP	GS	GS	GS	GS		
8P + 24S																	

PART NUMBER	ROWS	SIGNAL								POWER							
		6	5	4	3	2	1	P8	P7	P6	P5	P4	P3	P2	P1		
6450552-6	D C B A	AP	AP	AP	AP	AP	AP	GS	GS	GP	GP	GP	GP	GS	GS		
		AP	AP	AP	AP	AP	AP	GS	GS	GP	GP	GP	GP	GS	GS		
		AP	AP	AP	AP	AP	AP	GS	GS	GP	GP	GP	GP	GS	GS		
		AP	AP	AP	AP	AP	AP	GS	GS	GP	GP	GP	GP	GS	GS		
8P + 24S																	



PART NUMBER	ROWS	SIGNAL								POWER							
		6	5	4	3	2	1	P8	P7	P6	P5	P4	P3	P2	P1		
6450552-4	D C B A	AP	AP	AP	AP	AP	AP	GP	GP	GP	GP	GS	GS	GS	GS		
		AP	AP	AP	AP	AP	AP	GP	GP	GP	GP	GS	GS	GS	GS		
		AP	AP	AP	AP	AP	AP	GP	GP	GP	GP	GS	GS	GS	GS		
		AP	AP	AP	AP	AP	AP	GP	GP	GP	GP	GS	GS	GS	GS		
8P + 24S																	



CODE	TAIL LENGTH	DESCRIPTION	ROW
BP	.165	SIGNAL PRESS FIT	A.B.C.D
AP	.135	SIGNAL PRESS FIT	A.B.C.D
HP	.165	POWER PRESS FIT (MFBL)	-
HS	.165	POWER PRESS FIT (STD)	-
GP	.135	POWER PRESS FIT (MFBL)	-
GS	.135	POWER PRESS FIT (STD)	-

CONTACT

THIS DRAWING IS A CONTROLLED DOCUMENT.		OWN: R. GRZYBOWSKI 24JAN05	TE Connectivity
DIMENSIONS: INCHES		CHK: M. PERCHERKE 24JAN05	
		TOLERANCES UNLESS OTHERWISE SPECIFIED:	NAME: M. PERCHERKE
0 PLC ±. 1 PLC ±.01 2 PLC ±.01 3 PLC ±.005 4 PLC ±.002 ANGLES ±.020		APVD: M. PERCHERKE	PRODUCT SPEC: 108-1973
MATERIAL: .		FINISH: .	APPLICATION SPEC: 114-13038
WEIGHT: .		CUSTOMER DRAWING	RESTRICTED TO: A100779
SCALE: 4:1		SHEET: 3 OF 8	REV: F5

LOC	DIST	REV	DATE	BY	APPV
ES	00				

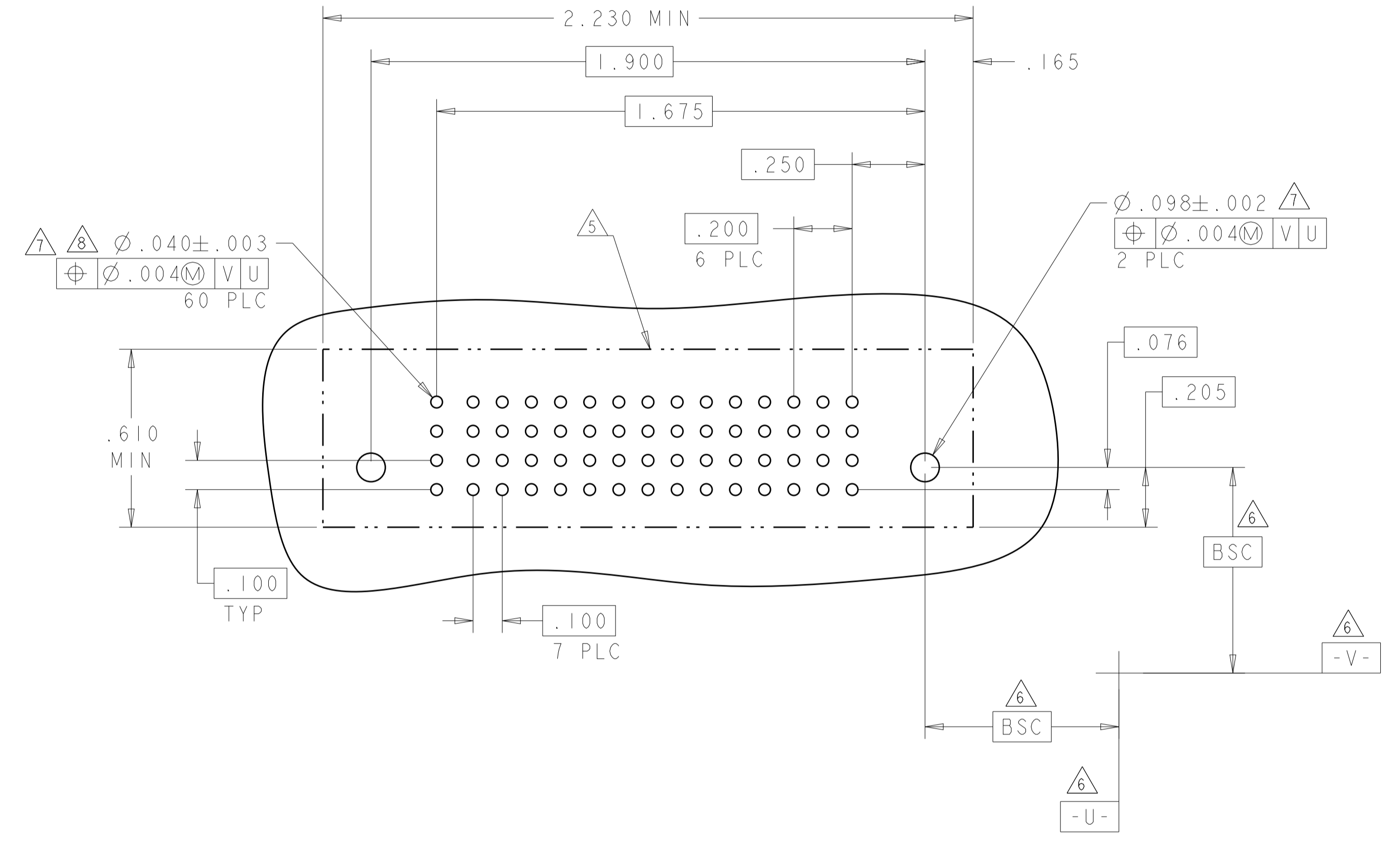
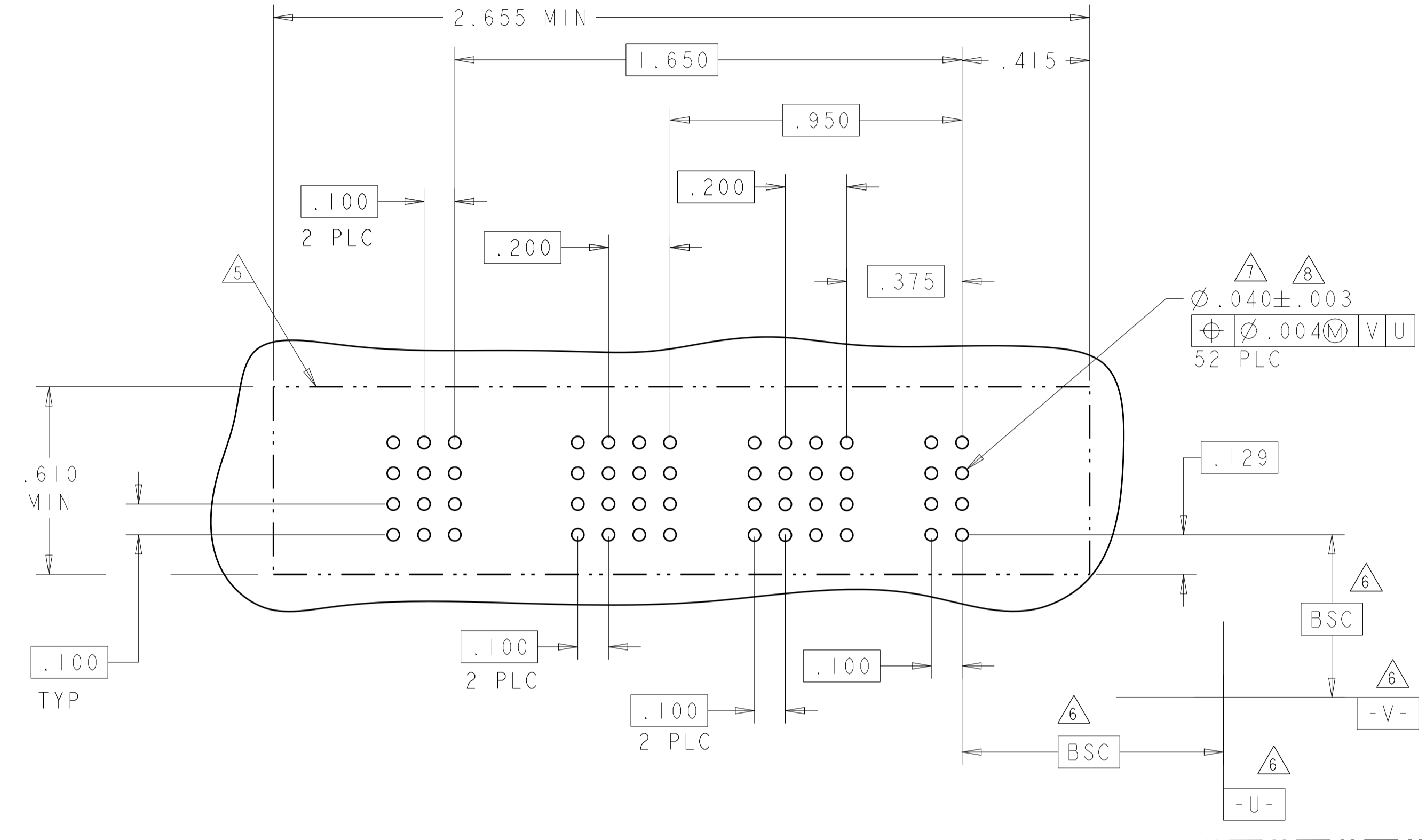
REVISIONS			
NO.	DESCRIPTION	DATE	BY
-	SEE SHEET 1	-	-

PART NUMBER	ROWS	SIGNAL						POWER				
		6	5	4	3	2	1	P5	P4	P3	P2	P1
6450552-8	D C B A	AP	AP	AP				GS	GS	GP	GP	GP
		AP	AP	AP								
		AP	AP	AP								
		AP	AP	AP								

5P + 24S
NO CONTACTS LOADED
2 PLC

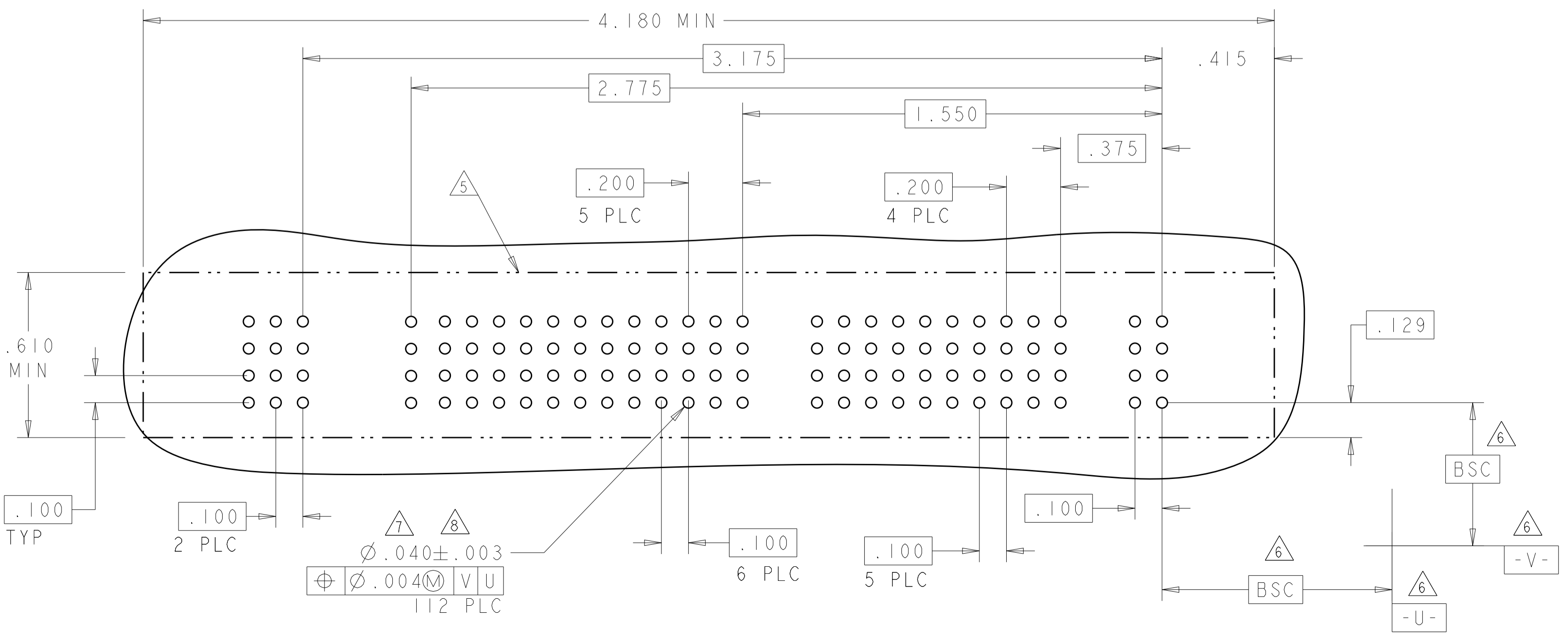
PART NUMBER	ROWS	SIGNAL						POWER				
		I	P7	P6	P5	P4	P3	P2	P1			
I-6450552-8	D C B A	AP	GP	GP	GS	GS	GS	GP	GP			
		AP										
		AP										
		AP										

7HDP + 4S



PART NUMBER	ROWS	SIGNAL												POWER									
		7	6	5	4	3	2	1	PI2	PI1	PI0	P9	P8	P7	P6	P5	P4	P3	P2	P1			
6450552-9	D C B A	AP	AP	AP				AP	GP	GS	GS	GS	GS	GS	GP	GP	GP	GP	GP	GP			
		AP	AP	AP				AP															
		AP	AP	AP				AP															
		AP	AP	AP				AP															

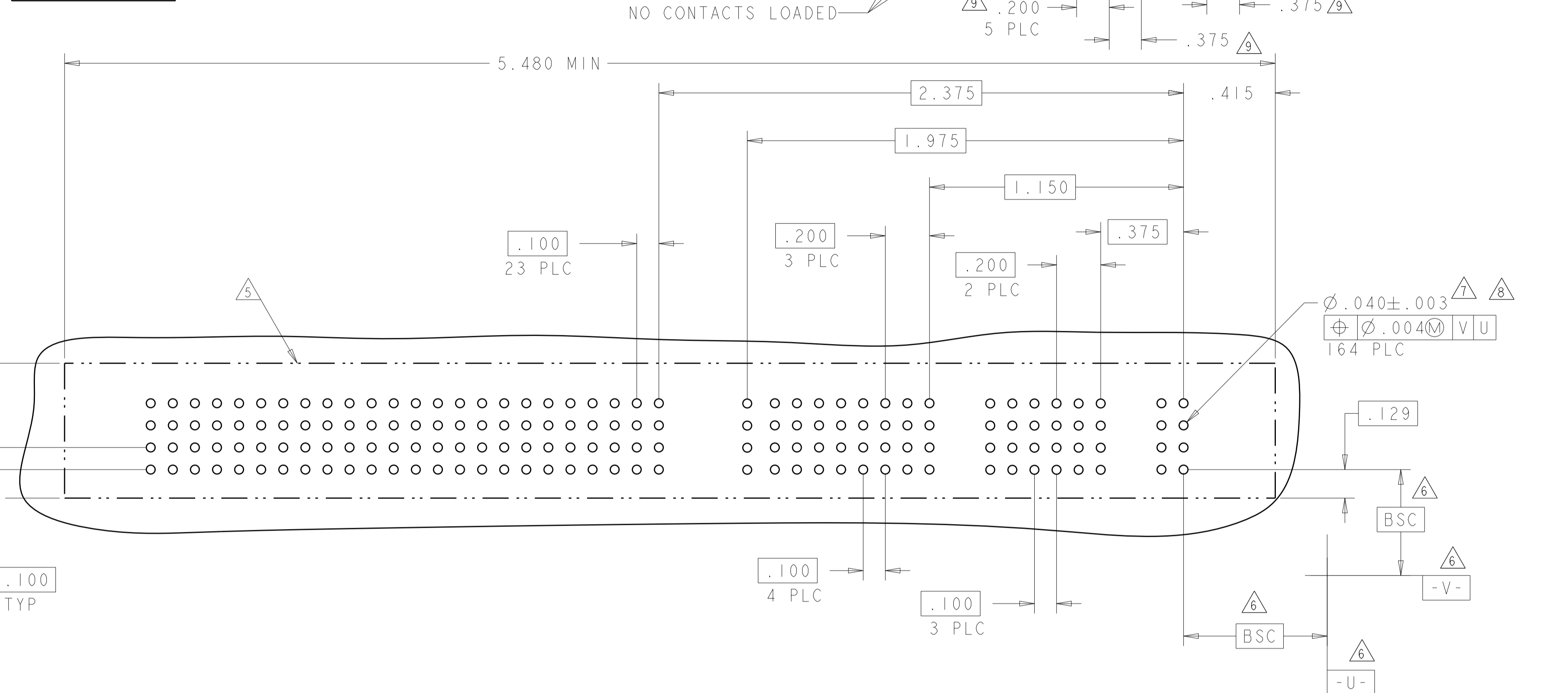
12P + 28S
NO CONTACTS LOADED
9 PLC



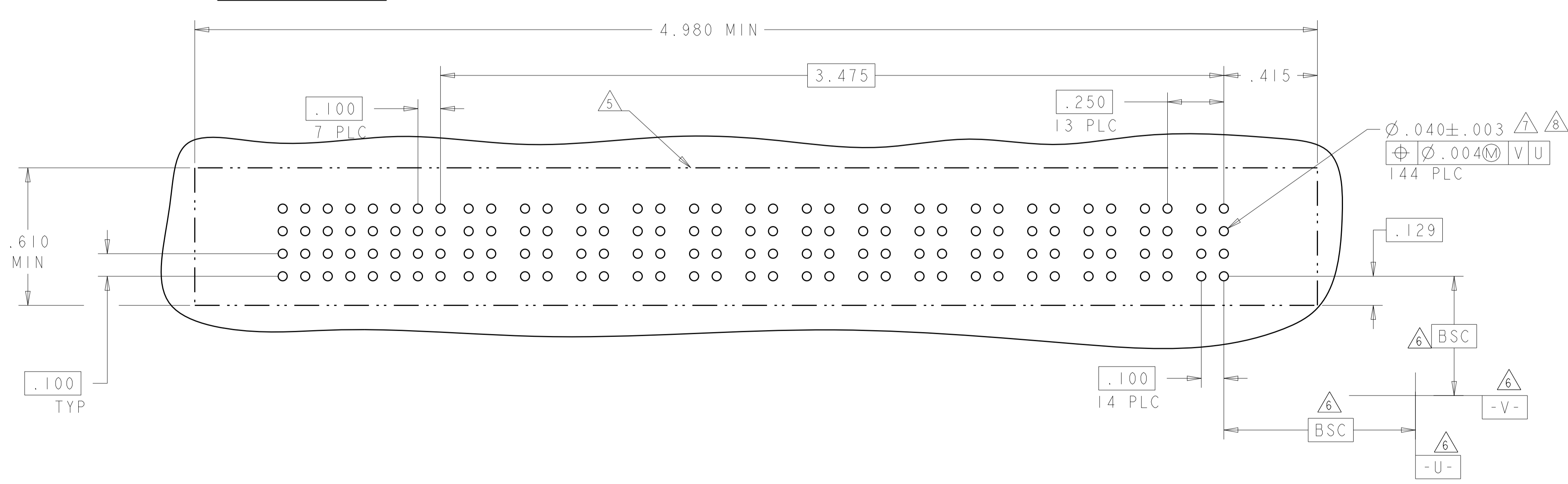
THIS DRAWING IS A CONTROLLED DOCUMENT.		OWN: R. GRZYBOWSKI 24JAN05	TE Connectivity
DIMENSIONS: INCHES		CHK: M. PERCHERKE 24JAN05	
TOLERANCES UNLESS OTHERWISE SPECIFIED:		APVD: M. PERCHERKE	NAME: VERTICAL RECEPTACLE ASSEMBLY WITH GUIDES, PRESS FIT MULTI-BEAM XL
0 PLC ±. 1 PLC ±.01 2 PLC ±.01 3 PLC ±.005 4 PLC ±.0020 ANGLES ±.2°		PRODUCT SPEC: 108-1973	SIZE: CAGE CODE DRAWING NO: 114-13038
MATERIAL: .		FINISH: .	WEIGHT: .
CUSTOMER DRAWING		SCALE: 4:1	SHEET 4 OF 8 REV: F5

LOC	DIST	REVISIONS					
ES	00	P	LTN	DESCRIPTION	DATE	DWN	APVD
		-		SEE SHEET 1			

PART NUMBER	ROWS	SIGNAL																POWER																			
		28	27	26	25	24	23	22	21	20	19	18	17	16	15	14	13	12	11	10	9	8	7	6	5	4	3	2	1	P8	P7	P6	P5	P4	P3	P2	P1
1-6450552-0	D C B A	AP																												GP	GS	GS	GS	GP	GP	GP	GP
		AP																												GP	GS	GS	GS	GP	GP	GP	GP
		AP																												GP	GS	GS	GS	GP	GP	GP	GP
		AP																												GP	GS	GS	GS	GP	GP	GP	GP



PART NUMBER	ROWS	SIGNAL								POWER													
		8	7	6	5	4	3	2	1	PI4	PI3	PI2	PI1	PI0	P9	P8	P7	P6	P5	P4	P3	P2	P1
1-6450552-2	D C B A	AP								GS	GP	GS	GP	GS	GP	GS	GP	GS	GP	GS	GP	GS	GP
		AP								GS	GP	GS	GP	GS	GP	GS	GP	GS	GP	GS	GP	GS	GP
		AP								GS	GP	GS	GP	GS	GP	GS	GP	GS	GP	GS	GP	GS	GP
		AP								GS	GP	GS	GP	GS	GP	GS	GP	GS	GP	GS	GP	GS	GP



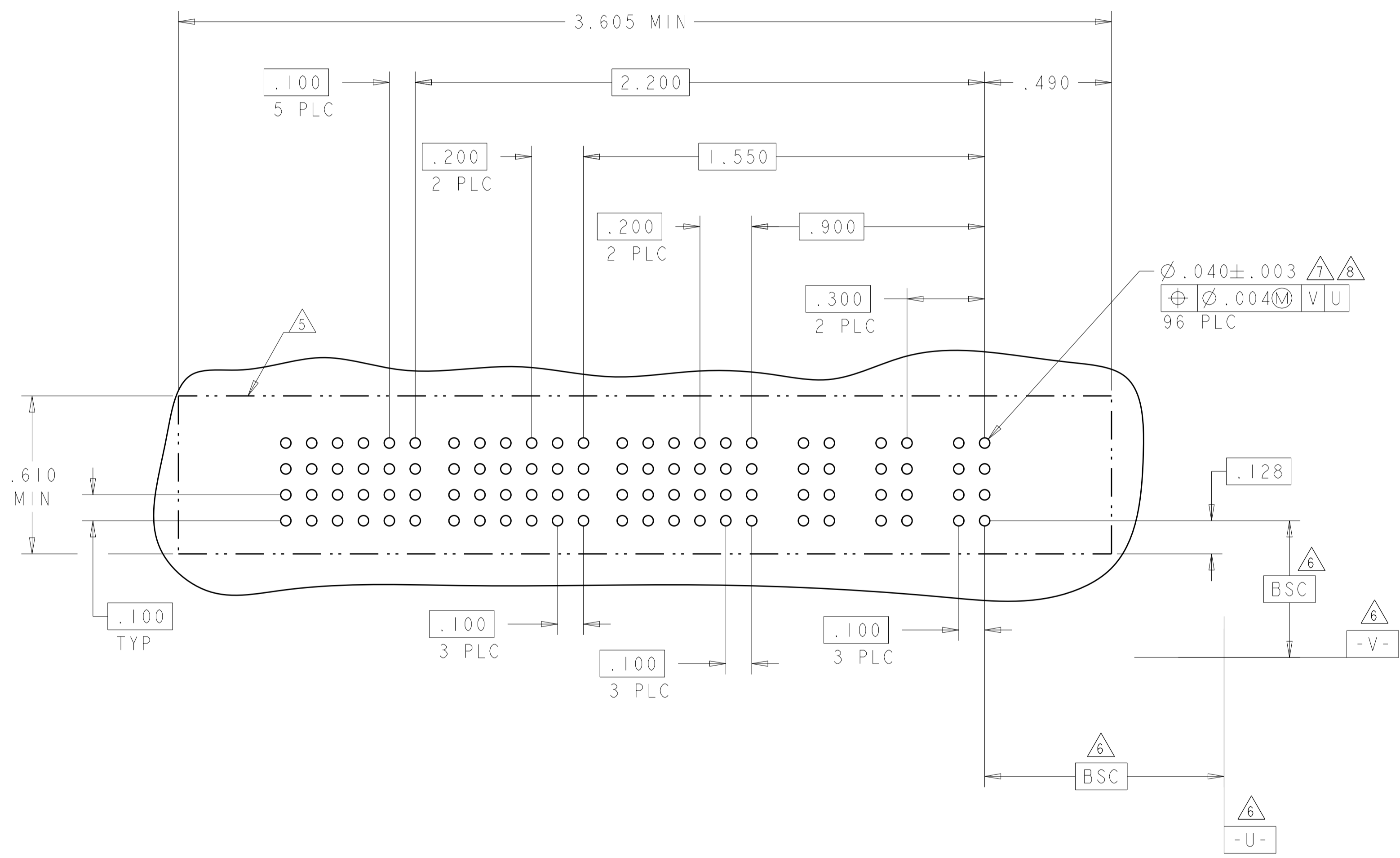
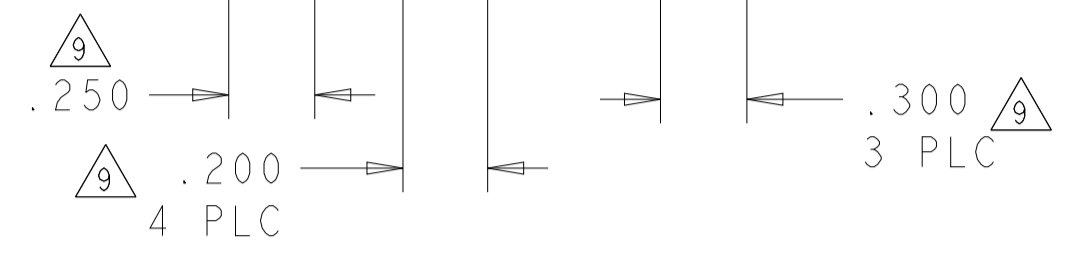
THIS DRAWING IS A CONTROLLED DOCUMENT.

DIMENSIONS: INCHES	TOLERANCES UNLESS OTHERWISE SPECIFIED: 0 PLC ±. 1 PLC ±.01 2 PLC ±.01 3 PLC ±.005 4 PLC ±.0020 ANGLES ±.2°	DWN: R. GRZYBOWSKI 24JAN05 CHK: M. PERCHERKE 24JAN05 APVD: M. PERCHERKE	NAME: VERTICAL RECEPTACLE ASSEMBLY WITH GUIDES, PRESS FIT MULTI-BEAM XL
MATERIAL: -	FINISH: -	PRODUCT SPEC: 108-1973 APPLICATION SPEC: 114-13038 WEIGHT: -	SIZE: A1 CAGE CODE: 6450552 DRAWING NO: 100779
CUSTOMER DRAWING		SCALE: 4:1	SHEET 5 OF 8 REV: F5

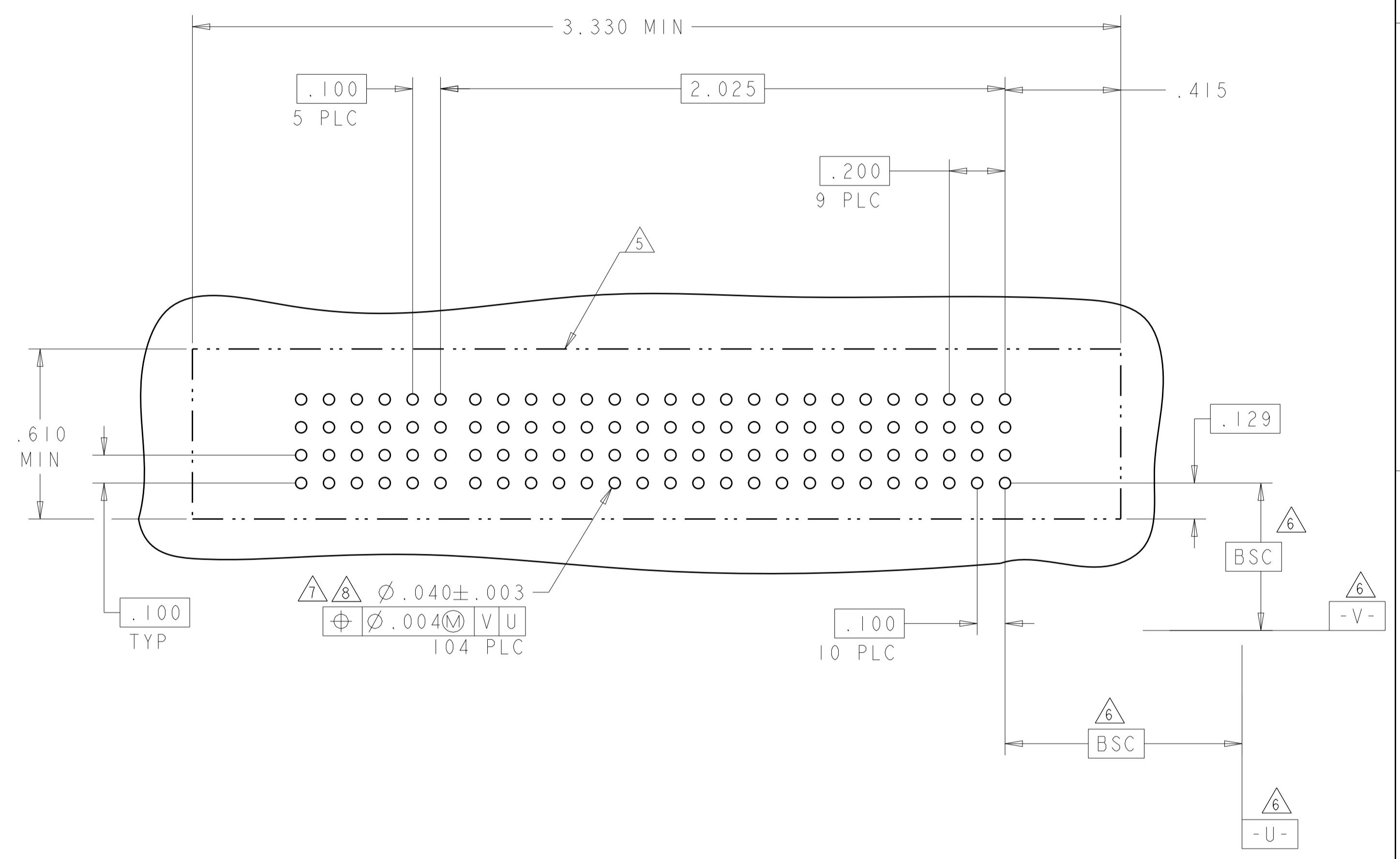
4805 (3/11)

LOC	DIST	REV	DATE	BY	APPD
ES	00				
REVISIONS					
DESCRIPTION					
SEE SHEET 1					

PART NUMBER	ROWS	SIGNAL								POWER							
		6	5	4	3	2	1	P9	P8	P7	P6	P5	P4	P3	P2	P1	
6450552-5	D C B A	B	B	B	B	B	B	B	B	HS	HS	HS	HS	HS	HP	HS	HS
		B	B	B	B	B	B	B	B	HS	HS	HS	HS	HS	HP	HS	HS
		B	B	B	B	B	B	B	B	HS	HS	HS	HS	HS	HP	HS	HS
3ACP + 6P + 24S																	



PART NUMBER	ROWS	SIGNAL										POWER							
		6	5	4	3	2	1	P10	P9	P8	P7	P6	P5	P4	P3	P2	P1		
1-6450552-9	D C B A	A	A	A	A	A	A	A	A	A	A	GS	GS	GS	GP	GP	GP		
		A	A	A	A	A	A	A	A	A	A	GS	GS	GS	GP	GP	GP		
		A	A	A	A	A	A	A	A	A	A	GS	GS	GS	GP	GP	GP		
10HDP + 24S																			

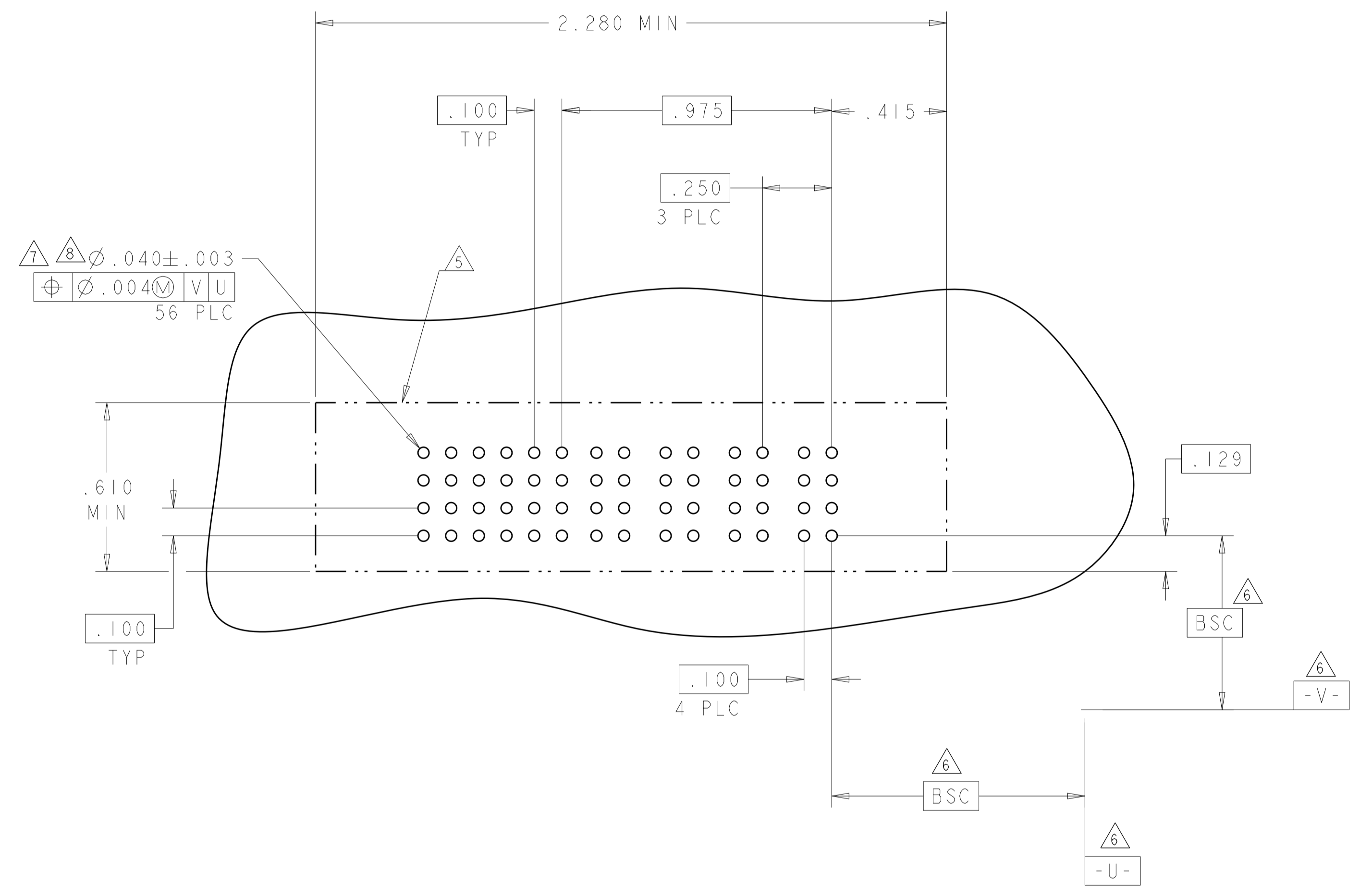


THIS DRAWING IS A CONTROLLED DOCUMENT.		OWN R. GRZYBOWSKI 24JAN05	STE TE Connectivity	
DIMENSIONS: INCHES		CHK M. PERCHERKE 24JAN05		
TOLERANCES UNLESS OTHERWISE SPECIFIED:		APVD M. PERCHERKE	NAME VERTICAL RECEPTACLE ASSEMBLY WITH GUIDES, PRESS FIT MULTI-BEAM XL	
0 PLC ± .01		PRODUCT SPEC	SIZE CAGE CODE DRAWING NO RESTRICTED TO	
1 PLC ± .01		108-1973	A100779C=6450552	
2 PLC ± .01		APPLICATION SPEC	SCALE 4:1 SHEET 6 OF 8 REV F5	
3 PLC ± .005		114-13038		
4 PLC ± .0020		WEIGHT		
ANGLES ± .020		CUSTOMER DRAWING		
FINISH				

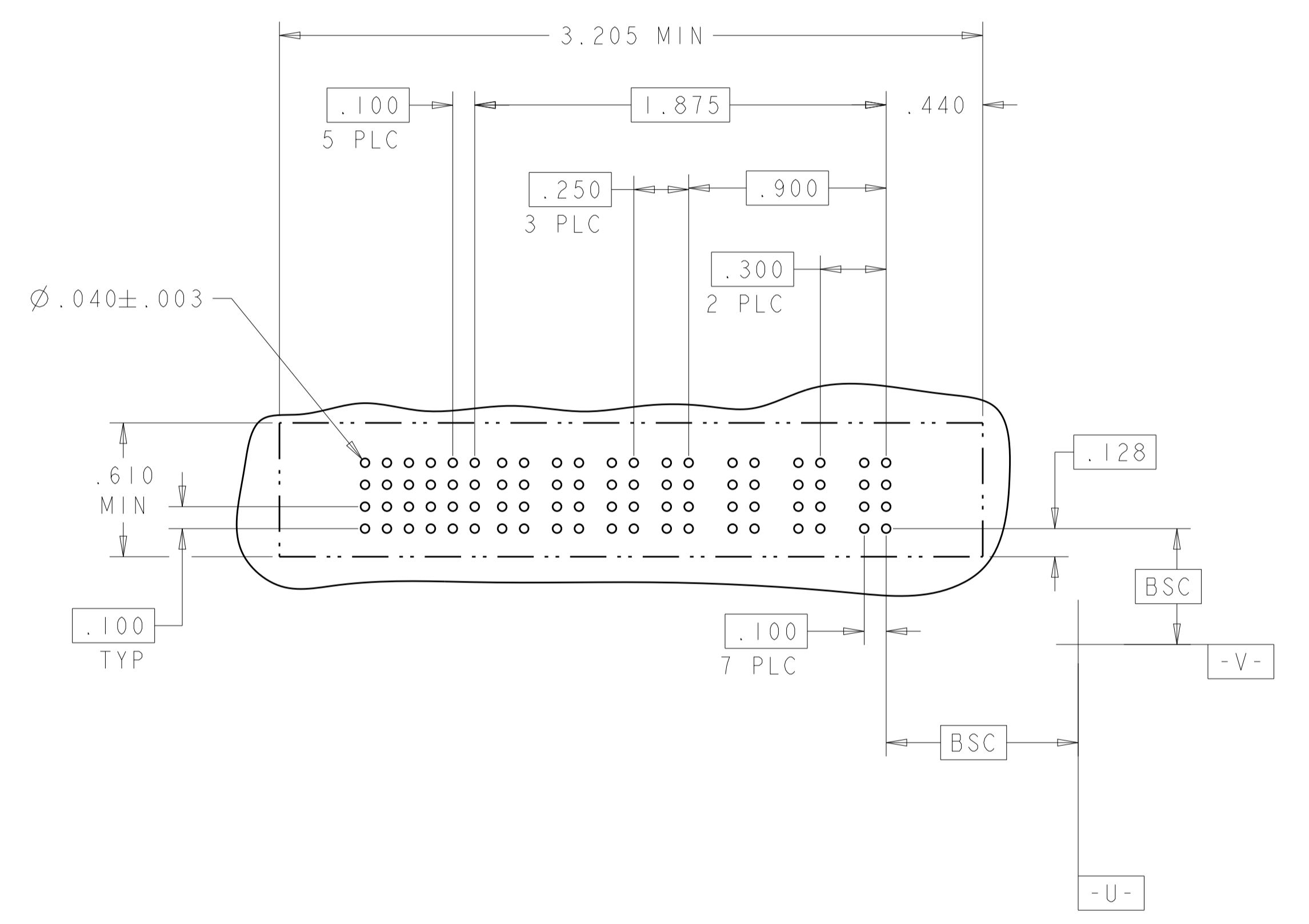
LOC	DIST	REVISIONS			
P	LTN	DESCRIPTION	DATE	DWN	APVD
-	-	SEE SHEET 1	-	-	-

ASSY PART NUMBER	ROWS	SIGNAL						POWER			
		6	5	4	3	2	1	P4	P3	P2	P1
2-6450552-0	D C B A	AP	AP	AP	AP	AP	AP	GS	GS	GS	GS
		AP	AP	AP	AP	AP	AP	GS	GS	GS	GS
		AP	AP	AP	AP	AP	AP	GS	GS	GS	GS
		AP	AP	AP	AP	AP	AP	GS	GS	GS	GS
4P + 24S											

PART NUMBER	ROWS	SIGNAL						POWER						
		6	5	4	3	2	1	P7	P6	P5	P4	P3	P2	P1
6450552-7	D C B A	AP	AP	AP	AP	AP	AP	GS	GS	GS	GS	GP	GS	GS
		AP	AP	AP	AP	AP	AP	GS	GS	GS	GS	GP	GS	GS
		AP	AP	AP	AP	AP	AP	GS	GS	GS	GS	GP	GS	GS
		AP	AP	AP	AP	AP	AP	GS	GS	GS	GS	GP	GS	GS
3ACP + 4P + 24S														



F2



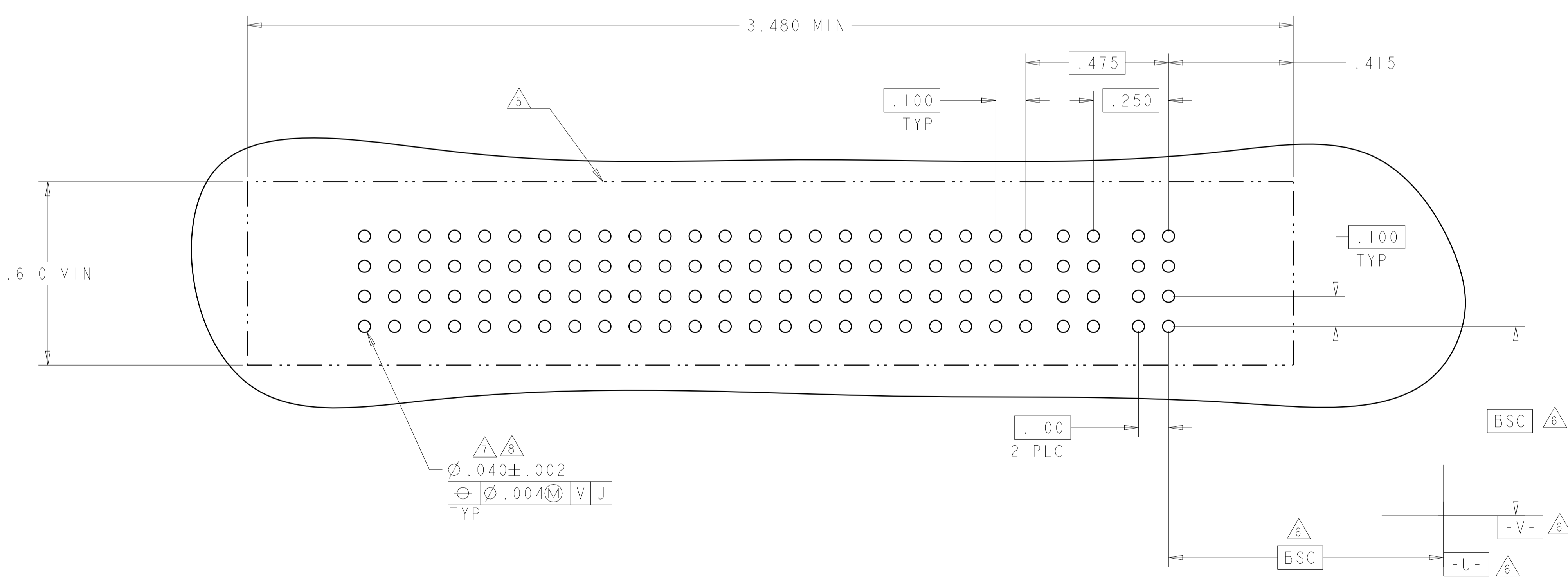
THIS DRAWING IS A CONTROLLED DOCUMENT.		DWN R. GRZYBOWSKI CHK M. PERCHERKE APVD M. PERCHERKE	24JAN05 24JAN05	 TE Connectivity
DIMENSIONS: INCHES	TOLERANCES UNLESS OTHERWISE SPECIFIED:	PRODUCT SPEC	NAME	
	0 PLC ±. 1 PLC ±.01 2 PLC ±.01 3 PLC ±.005 4 PLC ±.002 ANGLES ±.020 FINISH	108-1973	VERTICAL RECEPTACLE ASSEMBLY WITH GUIDES, PRESS FIT MULTI-BEAM XL	
MATERIAL		APPLICATION SPEC	RESTRICTED TO	
		114-13038	SIZE CAGE CODE DRAWING NO	
		WEIGHT	A100779C=6450552	
		CUSTOMER DRAWING	SCALE 4:1 SHEET 7 OF 8 REV F5	

THIS DRAWING IS UNPUBLISHED. RELEASED FOR PUBLICATION 20
COPYRIGHT 20 BY ALL RIGHTS RESERVED.

LOC	DIST	P	LTH	DESCRIPTION	DATE	OWN	APVD
ES	00	-	-	SEE SHEET 1	-	-	-

PART NUMBER	ROWS	SIGNAL																			POWER								
		23	22	21	20	19	18	17	16	15	14	13	12	11	10	9	8	7	6	5	4	3	2	1	P2	P1			
6450552-2	D C B A	AP	AP	AP	AP	AP	AP	AP	AP	AP	AP	AP	AP	AP	AP	AP	AP	AP	AP	AP	AP	AP	AP	AP	AP	GP	GS		
		AP	AP	AP	AP	AP	AP	AP	AP	AP	AP	AP	AP	AP	AP	AP	AP	AP	AP	AP	AP	AP	AP	AP	AP	AP			
		AP	AP	AP	AP	AP	AP	AP	AP	AP	AP	AP	AP	AP	AP	AP	AP	AP	AP	AP	AP	AP	AP	AP	AP	AP			
		AP	AP	AP	AP	AP	AP	AP	AP	AP	AP	AP	AP	AP	AP	AP	AP	AP	AP	AP	AP	AP	AP	AP	AP	AP			
2P + 92S																													

F3



THIS DRAWING IS A CONTROLLED DOCUMENT.		OWN: R. GRZYBOWSKI 24JAN05	TE Connectivity
DIMENSIONS: INCHES		CHK: M. PERCHERKE	
TOLERANCES UNLESS OTHERWISE SPECIFIED:		APVD: M. PERCHERKE	NAME: VERTICAL RECEPTACLE ASSEMBLY WITH GUIDES, PRESS FIT MULTI-BEAM XL
0 PLC ±.		PRODUCT SPEC: 108-1973	SIZE: A100779
1 PLC ±.01		APPLICATION SPEC: 114-13038	CAGE CODE: 6450552
2 PLC ±.005		WEIGHT: -	SCALE: 4:1
3 PLC ±.0020		CUSTOMER DRAWING	SHEET 8 OF 8
4 PLC ±.0020			REV: F5
ANGLES: ±.7°			